

SkyPanel® S360-C

SAFETY AND INSTALLATION MANUAL

L5.0016680 / L03880

08 / 2022



Revision History

Date	Revision	Changes	Revisor
19-07-15	L03423	Added stirrup version 3	mfg
22-08-01	L03880	Updated „Certificates and Declarations of Conformity“	mfg

© 2019 - 2022 Arnold & Richter Cine Technik GmbH & Co. Betriebs KG (ARRI). All rights reserved. Information subject to change without notice. ARRI and all affiliated companies disclaim liability for any injury, damage, direct or indirect loss, consequential or economic loss or any other loss occasioned by the use of, inability to use or reliance on the information contained in this document.

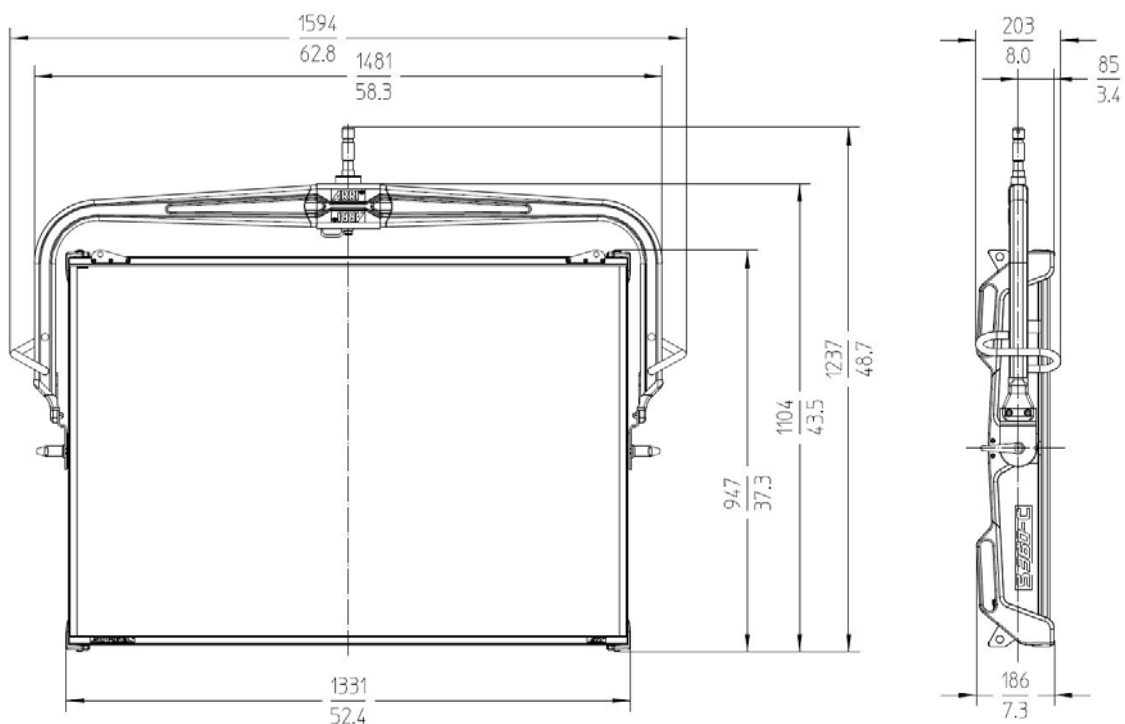
No part of this document may be used for distribution, reproduction, transmission, transcription, storage in a data retrieval system, or translated into any language in any form by any means without the prior written permission of ARRI®. If you are downloading files from our web pages for your personal use, make sure to check for updated versions. ARRI® cannot take any liability whatsoever for downloaded files, as technical data are subject to change without notice.

Art-Net™ Designed by and Copyright Artistic Licence Holdings Ltd.

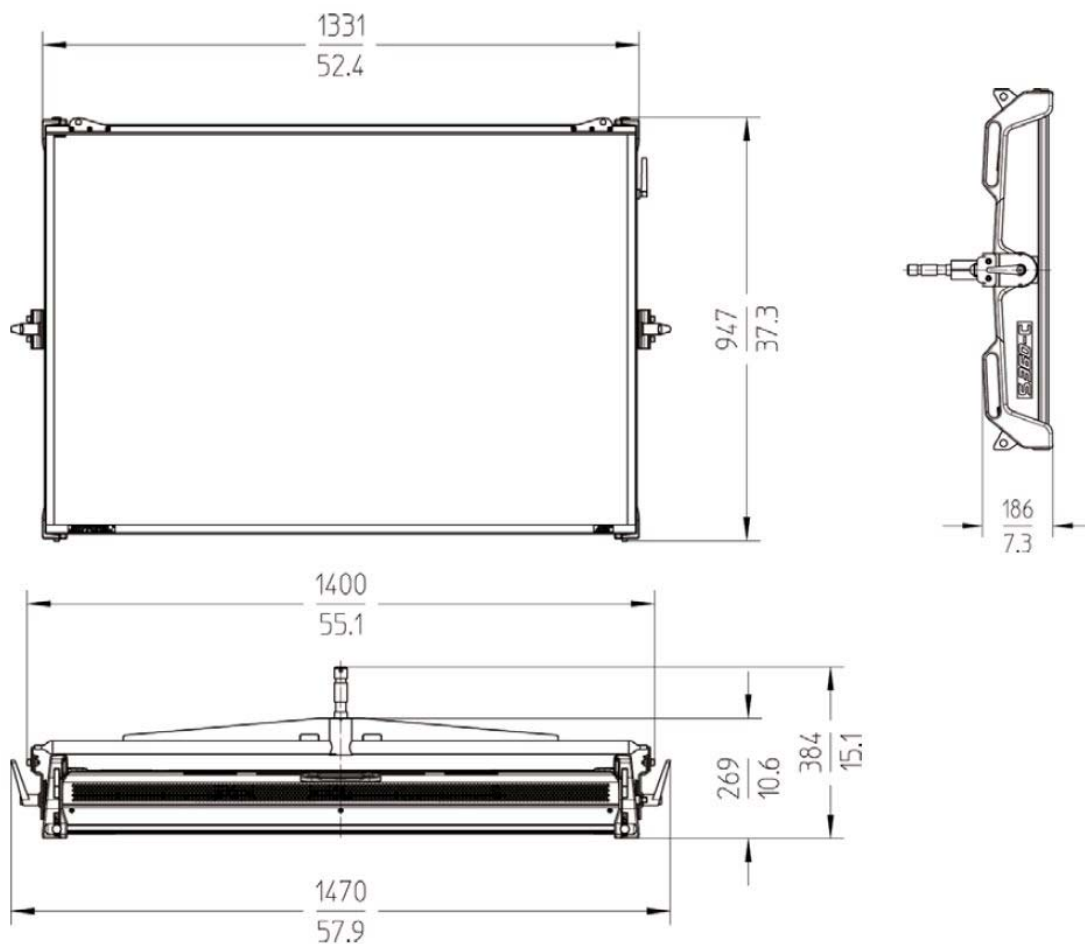
ARRI, the ARRI Logo, ARRIMAX, ARRISUN, EB, **LIOS**, L-Series, MAX Technology, M-Series, Orbiter, POCKETPAR, Quick Lighting Mount, QLM, True Blue, SkyPanel, SKYPANEL, Stellar and T12 as well as the blue/silver color combination are registered trademarks of the Arnold & Richter Cine Technik GmbH & Co. Betriebs KG.

Dimensions

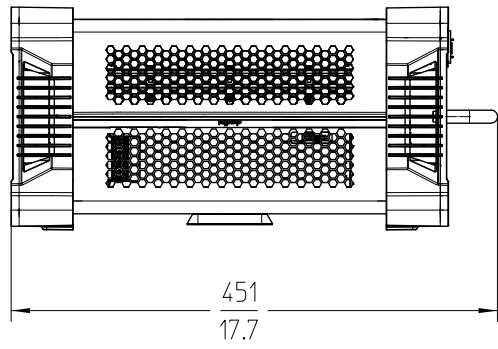
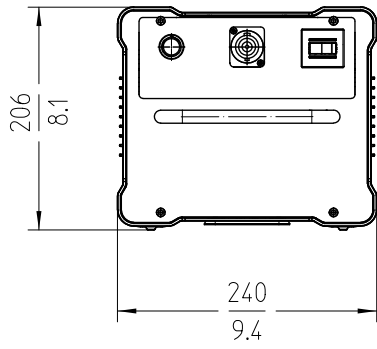
SkyPanel S360-C with Carbon Fiber Yoke



SkyPanel S360-C with Short Yoke



External Power supply unit S360



Content

Dimensions	3
Safety Information	6
Risk Levels and Alert Symbols	6
Vital Precautions	7
Warnings	7
General Precautions	9
To Replace the Light Source	9
Maintenance Information	9
Intended Use	9
Introduction	10
Unpacking	10
Overview	11
Manual Version	11
Power Supply Unit S360	12
Physical Installation	13
To Mount the Yoke and the Spigot	13
To mount the spigot	13
To Install the SkyPanel S360-C	14
Basic Features	15
Pan and Tilt	15
Use of Accessories for Beam Shaping	15
DMX / RDM Interface	15
Wireless DMX	15
USB Port	16
Ethernet Port	16
Remote Control	16
To power and use the SkyPanel S360-C	16
To Power the SkyPanel S360-C	17
AC Power	17
DMX	18
Specification	19
Certificates and Declarations of Conformity	21

Safety Information

Always follow these instructions and instructions printed on the product or given in the documentation shipped with the product to protect against injury to yourself and damage to the product or other objects.

Risk Levels and Alert Symbols

Safety warnings, safety alert symbols, and signal words in these instructions indicate different risk levels:

DANGER!

DANGER indicates an imminent hazardous situation which, if not avoided, **will result in** death or serious injury.

WARNING!

WARNING indicates a potentially hazardous situation which, if not avoided, **may result in** death or serious injury.

CAUTION!

CAUTION indicates a potentially hazardous situation which, if not avoided, **may result in** minor or moderate injury.

NOTICE

NOTICE explains practices not related to physical injury. No safety alert symbol appears with this signal word.

Vital Precautions

DANGER!

High voltage! Risk of electric shock and fire.

Read and understand all safety information and operation instructions before you operate or install the product or the system.

Not to observe the safety information or general rules of reason may cause injury or death to yourself and others or damage to equipment.

Use solely and exclusively as described in the instructions.

Always check that the local AC power matches the voltage and frequency range printed on the type label of the product before use.

Always earth the fixture electrically. Only use TN- or TT one phase power supplies and a power plug according to IEC 60309-1 or a similar national standard.

Use only a genuine ARRI PSU and connection cable designed for the SkyPanel.

Do not connect or disconnect the header cable when powered. The connectors can be damaged by arcing.

Never use the cables for transportation. Never hang the product on its cables.

Do not open the product. There are no user serviceable parts inside.

In case of visible damage to cables or housings, the device may not be operated any longer. Never attempt to repair any part of the product on your own. Maintenance and repair work is only to be carried out by an authorized ARRI service center.

Do not bypass or remove any safety feature of the product.

Warnings

WARNING!

Humidity and Condensation! Risk of electric shock and fire.

Never expose the product to rain or moisture. Do not use the product for 2 h when it was exposed to big temperature differences as condensed moisture may damage the product electrically when switched on.

Do not bend the power cable directly after the connector. Water could immerse and cause short circuits and damage the connector.

 **WARNING!****Overheating! Risk of fire.**

Do not operate the product if the ambient temperature exceeds 45° C.

Intensive use can cause the surface to become hot (up to 80° C). Let the product cool down completely before you handle it.

Never cover air vents during operation. Keep a minimum clearance around the air vents of 0.5 m (1.65 ft.).

Never point a light beam from another luminaire into the diffuser or the intensifier. Do not place the product on or nearby heat sources. Intense heat cause damage to the product or automatic power off during operation.

 **WARNING!****Intense Light! Risk of injury and fire.**

Do not stare at a operating light source.

Intense light. Do not stare at the light output aperture. Risk of irreversible eye injury. Wear safety glasses. Keep a minimum distance to an illuminated surface, objects or persons of 1.0 m (3.3 ft).

The product must not be used without a diffuser or intensifier installed.

 **WARNING!****Heavy weight! Risk of injury and damage.**

The stirrup must be mounted hanging or standing vertically. Lateral load can cause deformation or breaking the spigot, its fixing screw and the stirrup.

Devices and accessories must be secured against fall when mounted above floor level. Always observe common and local safety regulations.

Secure the device against tipping when standing on the floor. Always observe common and local safety regulations.

Disconnect all cables prior to transport.

General Precautions

NOTICE

ARRI SkyPanel S360-C products are intended for professional use and may only be operated by qualified persons. They are not for household use.

Please follow the user manual of accessories and third party accessories such as battery packs and battery chargers. They contain important safety and security information.

Never attempt to repair any part of the product on your own. Maintenance and repair work is only to be carried out by an authorized ARRI service center.

In addition to regular visible checks ARRI recommends that all electric components are checked for electrical safety by a professional every 12 month. Keep the protocol of the check.

Help protecting the environment by disposing the package material at your local recycling center.

All components comply to the guidelines listed below:

- Low voltage directive 2014/35/EU
- EMC directive 2014/30/EU
- RoHS directive 2011/65/EU

Please observe the information given in the „Safety leaflet ARRI lampheads“ (L5.40731.E). The leaflet is available for download on our website www.arri.com.

To Replace the Light Source

NOTICE

The light source contained in this luminaire is replaceable. If the light source has reached the end of its operational life or if the light source fails before it reached the end of its specified operational life, please contact the manufacturer or his service agent or a similar qualified person.

Maintenance Information

NOTICE

Do not clean the surface of the product with solvents or strong detergents.

Clean the product with a soft cloth wetted with a mild detergent. Do not rub the surface: lift stuck particles off with a soft repeated press.

Clean soiled electric contacts with cotton swabs wetted with isopropyle alcohol.

Keep electric contacts clean and replace corroded parts.

Intended Use

NOTICE

This product is intended to illuminate persons and objects in a dry environment. Always follow the safety information. Any usage other than described above is not permitted and can damage the product and lead to associated risks such as short-circuit, fire, electric shock, etc. You are not allowed to modify the product.

Introduction

Thank you for selecting the SkyPanel S360-C LED softlight from ARRI. The SkyPanel S360-C is a compact, ultra-bright and high-quality LED softlight. It is much more efficient than a softlight with a conventional light source.

The SkyPanel S360-C emits white light or colored light with adjustable color temperature and adjustable green / magenta point (see "Specification" on page 19). The light spectrum is optimized for excellent color rendition and fulfills the demands of modern, digital cameras. All models of the SkyPanel S360-C can be controlled using the common DMX512-A protocol, CRMX (wireless DMX), RDM, sACN, Art-Net or the fixture menu.

The SkyPanel S360-C is powered by AC power using an external power supply unit.

Please find detailed information about the features and use of the SkyPanel S360-C soft light in the user manual. The user manual is available for download on the ARRI website www.arri.com.

Unpacking

NOTICE

Product and packaging contain recyclable materials. Always store, ship, and dispose of according to local regulations.

ARRI is not liable for consequences from inadequate storage, shipment or disposal.

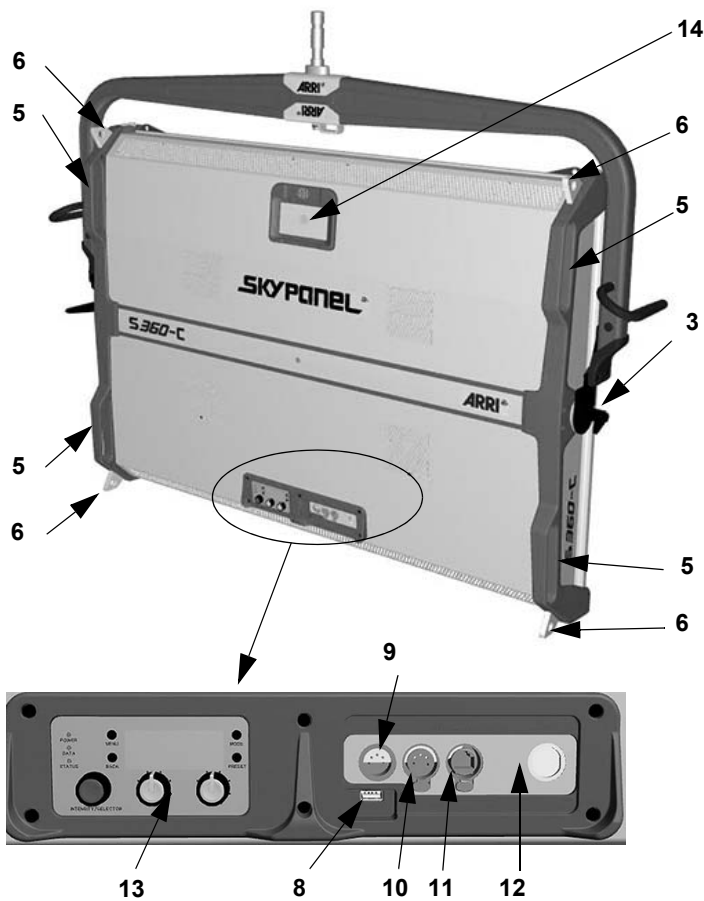
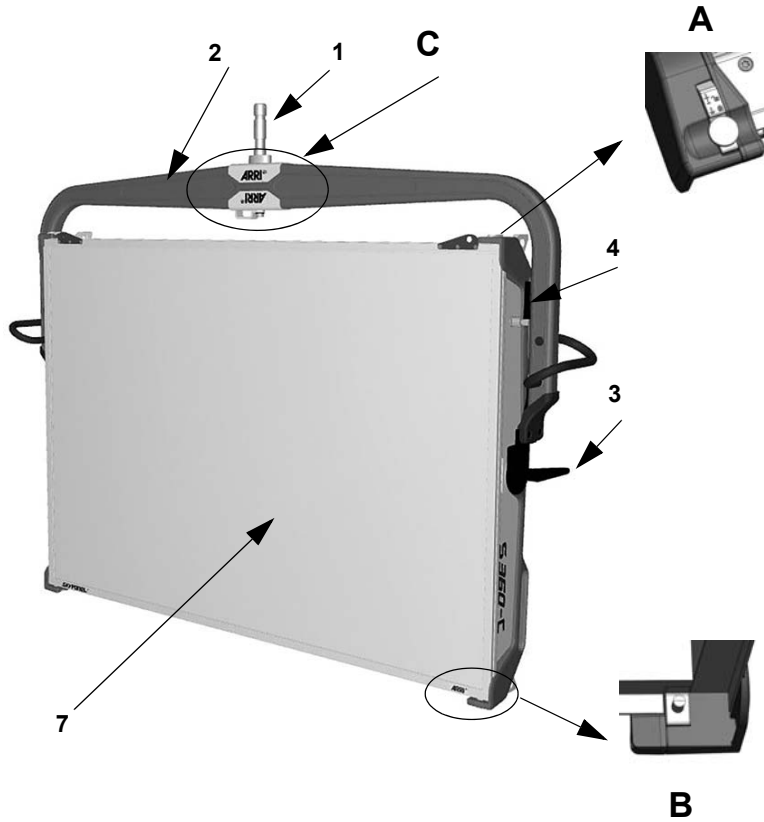
The SkyPanel S360-C is supplied with:

- Skypanel External power supply unit (PSU)
- Power cable with a powerCON 32A connector and a power plug or bare ends, l = 3 m
- Connector cable between power supply unit and SkyPanel S360-C, l = 5 m
- Carbon fiber yoke with 28 mm spigot and safety loop attachment
- Super clamp adapter for the SkyPanel PSU
- Standard diffuser or Intensifier
- Short instruction

Different box contents are possible.

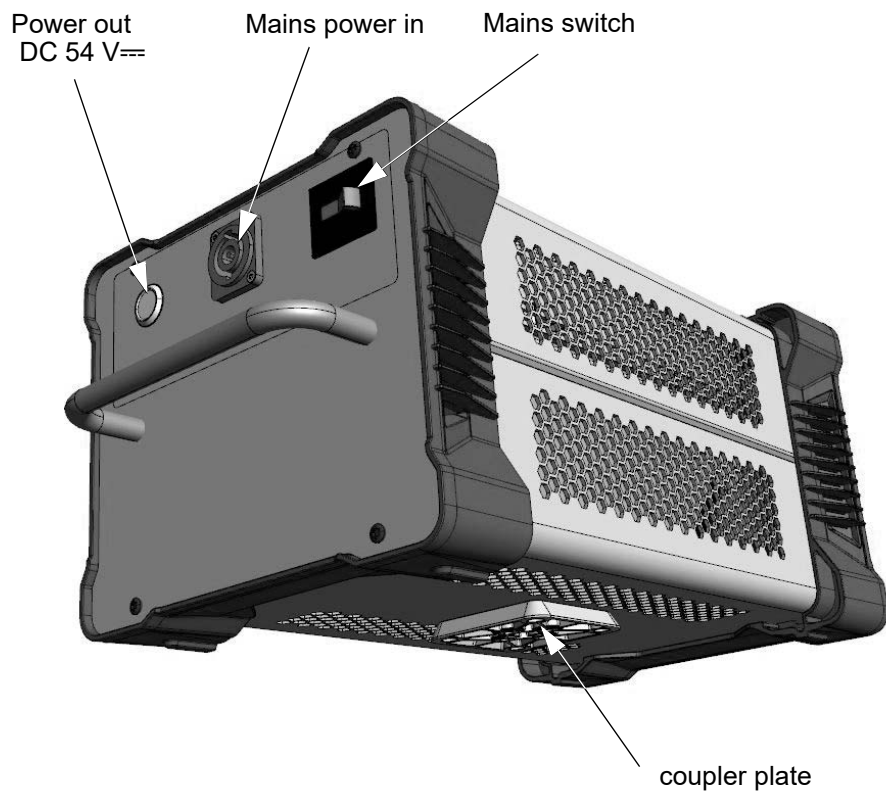
Overview

Manual Version



- 1 Spigot
- 2 Stirrup
- 3 Tilt lock
- 4 CRMX (wireless DMX) Antenna
- 5 Handle
- 6 Foot with Eyelet
- 7 Diffuser / Intensifier
- 8 USB-A connector
- 9 DMX In
- 10 DMX Thru
- 11 Ethernet connector RJ45
- 12 Power in 54 V==
- 13 Fixture menu
- 14 Trough for remote storage
- A Locking Pin
- B Guiding Pin
- C Safety Loop Attachment

Power Supply Unit S360



Physical Installation

WARNING!

Risk of falling! Risk of injury.

The stirrup must be mounted hanging or standing vertically. Lateral load can cause deformation or breaking the spigot, its fixing screw and the stirrup.

Attach an approved safety-cable to secure the product and accessories against clamp or bracket failure when the product is mounted above floor. The safety-cable needs to be approved at least 10 times the weight of the product including all accessories mounted at the product. The safety cable must comply with EN 60598-2-17 Section 17.6.6 and be approved by an official body such as TÜV.

Lead the safety cable around the carbon fiber yoke and through the safety loop attachment (C) (see "Overview" on page 11), or around the short yoke and through one of the safety loop attachments (C) and the structure the fixture is mounted to.

Keep the safety cable as short as possible. The handle, the eyelets and the floor stand must not be used as an anchor for the safety-cable.

The rigging structure needs to be approved for the weight of all devices, equipment and cables installed on it.

Block access below the work area and work from a stable platform whenever installing, servicing or moving the product or accessories.

NOTICE

Do not illuminate the display and the diffuser or intensifier by high power light beams from a short distance. The display and the light engine are damaged by high brightness and heat radiation within very short time.

To Mount the Yoke and the Spigot

You need:

- a 10 mm allen key
- a 6 mm allen key
- a torque wrench with 10 mm and 4 mm allen socket

To mount the spigot

Carbon Fiber Yoke

The allen screw, safety loop attachment, washer and spring washer are pre-mounted and secured by a nut for transport. Remove the nut. Hold the allen screw in place with the 10 mm allen key while removing the nut. Place the spigot on the screw and tighten the screw with a torque wrench to 37 ft-lb. torque.

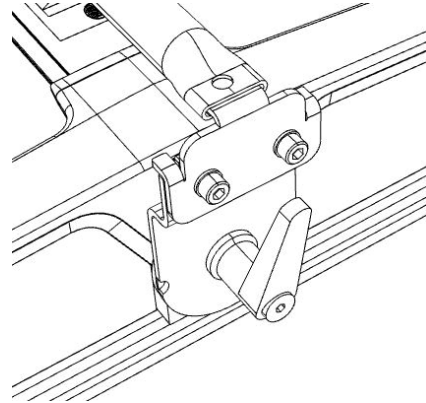
Short Yoke

Place the spigot on the 13 mm hole in the middle of the stirrup. Insert the allen screw with washer and spring washer and tighten it with a torque wrench to 37 ft-lb. torque.

To Mount the Yoke

The fixture is shipped with the yoke not mounted on some versions. Mount the yoke to the fixture if you want to use the yoke:

- Place the SkyPanel S360-C with the lighting aperture facing downwards on an even and clean surface.
- Remove two allen screws (6 mm allen key) on each side of the product.
- Place the yoke on the holder on each side of the SkyPanel S360-C (see picture below).
- Mount the yoke with two allen screws on each side of the product (6 mm allen key, recommended torque: 18 ft-lb.).

**To Dismantle the Yoke**

- Place the SkyPanel S360-C with the lighting aperture facing downwards on an even and clean surface.
- Loosen and remove two allen screws on each side of the product (6 mm allen key, see picture above).
- Remove the yoke.

To Install the SkyPanel S360-C**NOTICE**

Always observe all safety information given above when mounting the SkyPanel S360-C and accessories. Keep care that:

- Both locking pins (A) (see “Overview” on page 11) are locked.
- Tripods are set up in a stable position. Tripods need to be approved for the load they need to carry.
- The use of sand bags are recommended on all tripods to increase stability.
- The SkyPanel S360-C needs to be secured against tipping when standing on the floor.

Always observe the additional load of cables and accessories!

Basic Features

Pan and Tilt

Loose the mounting screw of the tripod or the appropriate fixing screw of the mounting clamp to pan the SkyPanel S360-C. Tighten the screw to avoid unintended movement. Loose the tilt-lock to tilt the SkyPanel S360-C to the desired angle. Tighten the tilt-lock-lever to avoid unintended movement.

Use of Accessories for Beam Shaping

WARNING!

Parts may fall off! Risk of injury and damage.

The fixture must not be mounted upside down (fixture menu and connector panel on the top).

The diffuser panel or intensifier might fall towards the operator, when the locking pins (A) are pulled out. Always use extreme caution when unlocking the locking pins (A).

You can mount accessories like honeycombs by using the guiding rails on the front side of the diffuser.

- Unlock both locking pins (A) (see “Overview” on page 11) by pulling them out and tilt out the diffuser or intensifier (see picture on the right).
- Insert the accessory from the top completely into the guiding rails.
- Push back the diffuser and push both locking pins into the guide holes of the diffuser. Check that both guiding pins (B) hold the diffuser properly.
- Attach an appropriate rated safety cable to the safety hole in the accessory. Affix the safety cable to the rigging structure or the safety loop attachment (C) of the SkyPanel S360-C yoke.

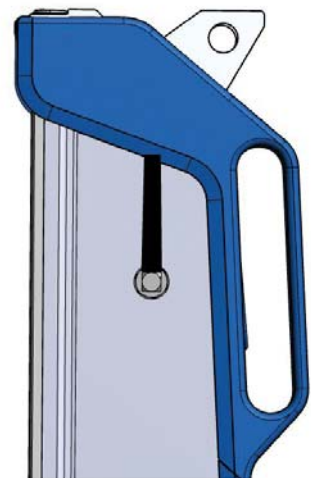


DMX / RDM Interface

The SkyPanel S360-C is equipped with a wired and wireless DMX / RDM-interface. It has locking 5-pin XLR connectors for DMX / RDM data input and throughput. The wireless DMX / RDM interface is compatible to the LumenRadio CRMX protocol. Please find more detailed information how to establish a DMX / RDM data-link in chapter “DMX” on page 18.

Wireless DMX

The antenna for the CRMX interface is mounted on the left side of the SkyPanel S360-C.



USB Port

NOTICE

Disconnect all DMX cables from the product before using an USB memory stick. The data transfer between the product and the USB memory stick might be disturbed due to interferences.

Do not use service features during a show or a shot. The data transfer between the product and the controller might be disturbed due to interferences.

The USB-A connector can power small USB devices. The maximum current is 500 mA @ 5V. Do not overload the USB-A connector.

The SkyPanel S360-C has an USB-A connector to upload firmware, upload and download fixture settings and preset lists or download error and service logs using an USB memory stick. The memory stick must be formatted with the FAT32 file system. The firmware upload file must be stored in the root directory of the memory stick.

Ethernet Port

The SkyPanel S360-C has an RJ45 EtherCON port for the control via Art-Net, uploading firmware and setting parameters. The Ethernet port can be used for service purposes like downloading error reports from the product and set certain data. To do so you need a software tool, the ARRI Lighting Service Manager (ALSM) and an RJ45 network cable to connect your PC with the SkyPanel S360-C.

Download the ALSM free of charge from the ARRI web site www.arri.com/lightingsoftware.

Please find more detailed information to work with the ALSM in the user manual of the software. The manual is included in the download package.

Remote Control

The optional remote control can be stored in the trough at the rear of the SkyPanel S360-C. It is fixed by its magnetic holder safely (see figure below). For comfortable control we recommend to stow a remote control in the trough and use it as a fixture menu when the fixture is used upside down.

⚠ WARNING!

Do not store the remote control in the trough when the fixture is mounted over head. The remote control can fall off the trough. Danger of injury.



To power and use the SkyPanel S360-C

⚠ WARNING!

Intense light! Danger of eye injury.

Do not stare at the operating light source.

After switching on the SkyPanel S360-C initializes for a few seconds and is ready for operation. The SkyPanel S360-C will operate with the settings made on the fixture menu or received by DMX / RDM, Art-Net or sACN. Please observe the information in the following section.

To Power the SkyPanel S360-C

DANGER

High voltage! Risk of electric shock and fire.

For protection from electric shock, always connect the external power supply unit electrically to ground (earth) when connected to AC power. The AC mains power supply must be fitted with a fuse or circuit breaker and ground-fault (earth-fault) protection.

Use only an ARRI power supply unit and an ARRI connector cable. The use of other power supply units and connector cables might cause malfunction and damage of the product.

Do not connect or disconnect the header cable when powered. The connectors can be damaged by arcing.

WARNING!

Intense light! Risk of eye injury. Use an eye protection.

Ensure that persons do not look at the light emission aperture without eye protection when the product is connected to AC power or a battery pack. The product can light up suddenly. The high intensity light beam of the product can cause eye irritation or injury when not respecting the safety distance.

NOTICE

Always connect the product direct to AC power. Do not connect it to a dimmer-system. Doing so will damage the product.

AC Power

The PSU is an auto-sensing switch-mode power supply that adapts to 100 - 240 V ~, 50 / 60 Hz (nom.). Make sure that no person stares at the light output aperture and the product is isolated from DMX before you connect it to a power supply unit.

You can hard-wire the SkyPanel S360-C to a building electrical installation. Power outlets or external power switches that supply the SkyPanel S360-C with power must be located near the external power supply unit and easily accessible so that the PSU can easily be disconnected from power.

The external power supply unit of the SkyPanel S360-C requires a power input cable with a Neutrik® PowerCON® 32A cable connector. Cable requirements are listed in section “Specification” on page 19.

ARRI offers power cables with PowerCON® cable connectors (see “Specification” on page 19).

The connector cable between the external power supply and the SkyPanel S360-C is available in different length as an accessory. Use only ARRI connector cables (see “Specification” on page 19).

To Insert and Remove the PowerCON® Cable Connector

- Line up the raised key of the connector and the keyway of the input socket. Insert the cable connector without force in the power input socket.
- Turn the cable connector a full quarter-turn clockwise to lock the cable connector.
- To unlock the cable connector, push the connector lock backwards and turn the cable connector counter-clockwise. Pull the cable connector out of the power input socket.

To Insert and Remove the 4-pin Metal Locking Connector of the Connector Cable

- Disconnect the external power supply unit from AC power.
- Line up the keyway of the female cable connector and the raised key of the 54 V $\overline{=}$ power in socket of the product (see “Overview” on page 11). Insert the connector in the power in socket until it locks.
- Line up the raised key of the male cable connector and the keyway of the power out socket of the power supply unit. Insert the cable connector without force in the power out socket until it locks.
- Remove the connector by sliding the connector lock and pulling the cable connector out of the socket.

DMX

To control the SkyPanel S360-C via DMX you need a wired or wireless DMX data link.

The SkyPanel S360-C has 5-pin locking XLR sockets for DMX / RDM data input and output. The default pin-out of both sockets is:

Pin 1 = Shield

Pin 2 = DMX Data - (cold)

Pin 3 = DMX Data + (hot)

Pin 4 = DMX Data - (cold)

Pin 5 = DMX Data + (hot)

Pins 4 and 5 are not used by the SkyPanel S360-C but are bridged between input and output sockets. These pins can therefore be used as a pass-through connection for an additional data signal if required.

Do not overload the data link. You must not connect more than 32 SkyPanel S360-Cs per data link. Depending on the channel requirements the address space of one data link (512 channels) may not be enough to control all products of the installation. You may set more than one SkyPanel S360-C to identical DMX addresses to obtain identical behavior. For independent control every SkyPanel S360-C needs to be assigned an individual address range.

If you need to control more SkyPanel S360-Cs individual, you need to set up additional DMX data links.

Tips for a Reliable Data Transmission

- Use shielded twisted-pair cable designed for RS-485 devices or CAT 6 network cables. Standard microphone cable cannot transmit control data reliably over long runs. 24 AWG cable is suitable for runs up to 300 meters (1000 ft.). Heavier gauge cable and/or an amplifier is recommended for longer runs.
- To split the data link, use a DMX splitter. Use an RDM compatible splitter when you use the RDM functionality.
- Install a DMX termination plug on the last product of every DMX data link. Terminate the DMX data link on both ends, when you use the RDM functionality. Ask your system specialist for details.

To Connect the Data Link

- Connect the DMX data output from the controller to the data input (male XLR) of the first product on the data link.
- Run the data link from the data output (female XLR) to the data input of the next product.
- Terminate the data link by connecting a 120 Ohm, 0.25 Watt resistor between the data 1 hot (+) and cold (-) conductors (and between data 2 hot and cold if used) at the data output of the last product on the link.

Specification

Physical

Depth	203 mm (58.0 in.)
Wide (with carbon fibre yoke)	1594 mm (62.8 in.)
Height (with carbon fibre yoke)	1237 mm (48.7 in.)
Height (w/o carbon fibre yoke)	947 mm (37.3 in.)
Weight (w/o yoke with diffuser)	40 kg (89 lbs)
Weight (with carbon fibre yoke and diffuser)	45 kg (98 lbs)
Weight (with short yoke and diffuser)	45 kg (98 lbs)

Physical, external power supply unit

Depth	451 mm (17.7 in.)
Wide	240 mm (9.4 in.)
Height	206 mm (8.1 in.)
Weight	11 kg (24.7 lbs)

Light source

Type	ARRI LED Light Engine
Typ. LED lifetime L70	50.000 h
White light	2.800 K - 10.000 K
Colored light	RGBW color mixing
Color rendition index	typ. CRI >95
Green - Magenta point	+/- 1 (full green to full magenta)

Optical path

Type	soft light with diffuser plate or intensifier
Light aperture	1280 x 870 mm (50.4 x 34.4 in.)

Dynamic functions

Dimmer	electronic, 0 - 100%
Color mixing	RGBW color mixing (Hue and saturation)

Control and Programming

Channels	7-73 channels, depending on type and mode
Setting and addressing	Fixture menu, ALSM
DMX compliance	ESTA DMX512A LumenRadio CRMX
RDM compliance	ESTA DMX512A
Art-Net	Version 4
sACN	ANSI E1.31
Firmware update	USB interface, network, ALSM

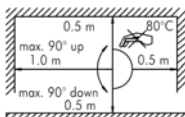
Construction

Color	Blue / silver
Housing	Composite and aluminum
Protection rating	IP 20
Protection class	III



Installation

Mounting	28 mm spigot
Orientation	any
Min. clearance around fixture	0.5 m (19.7 in)
Min. distance from light aperture to persons, objects or surfaces	1,0 m (39.4 in)



Connectors

DC power input	4-pin locking metal connector
DMX / RDM in / thru	Neutrik® locking 5-pin XLR
Ethernet connector	Neutrik® RJ45 EtherCON connector
USB interface	USB-A

Electrical**SkyPanel S360-C**

Power input	54 V==
Max. cable length between PSU and luminaire	10 m (32 ft.)

External power supply unit

Power input	100 - 240 V ~, 50 / 60 Hz (nom.)
Power output	54 V==
Power supply	Auto-sensing switching-mode power supply

Typical power

230 V, 50 Hz	1.500 W nom., 1.600 W max.
cos φ	> 0,9

Measurements made at nominal voltage with all LEDs at full intensity. Allow for a deviation of +/- 10%

Noise emission

Ambient temperature = 35° C (95° F)	< 20dB(A)
Ambient temperature = 45° C (113° F)	< 30dB(A)

Thermal

Minimum ambient temperature (t _a)	-20° C (-4° F)
Maximum ambient temperature (t _a)	+45° C (+113° F, High Mode (Variable Mode, 1200 W)
	+40° C (+104° F, Normal Mode, 1500 W)
	+35° C (+95° F, Quiet Mode, 1200 W)
Cooling	Silent, temperature-controlled fan cooling

SkyPanel S360-C: RISK GROUP 0 - No Risk

No photobiological hazard.

Order Information**All versions include**

S360-C Power supply unit (PSU)
 5 m (16.5 ft.) connector cable
 3 m (10 ft.) PowerCON 32A mains cable
 Super clamp adapter for SkyPanel S360-C PSU
 Carbon fiber yoke
 Standard diffuser or intensifier

ARRI SkyPanel S360-C

S360-C, Standard diffuser, blue/silver, Edison - Set	L0.0016325
S360-C, Standard diffuser, blue/silver, Schuko - Set	L0.0016326
S360-C, Standard diffuser, blue/silver, China - Set	L0.0016327
S360-C, Standard diffuser, blue/silver, PSE Japan - Set	L0.0016328
S360-C, Standard diffuser, blue/silver, bare end - Set	L0.0016329
S360-C, Intensifier, blue/silver, Edison - Set	L0.0016330
S360-C, Intensifier, blue/silver, Schuko - Set	L0.0016331
S360-C, Intensifier, blue/silver, China - Set	L0.0016332
S360-C, Intensifier, blue/silver, PSE Japan - Set	L0.0016333
S360-C, Intensifier, blue/silver, bare end - Set	L0.0016334
S360-C Kit (lamphead, flight case with wheels, diffusers, intensifier, honeycombs, PSU, carbon fibre and short yoke, cables, remote control)	L0.0016335

Accessories

Please find a detailed overview of all accessories available in the „SkyPanel Accessories Guide“ on the ARRI website.

Specification subject to change without notice. For the latest product specification including photometric data and other sales versions, see www.arri.com

Certificates and Declarations of Conformity

International

- IECEE CB Scheme Product Safety Certificate ¹
- IECEE CB Scheme Product Safety Test Report ²

Europe

- CE Declaration of Conformity ¹
- ENEC Product Safety Certificate ¹
- ENEC Product Safety Test Report ²
- EMC Test Report ²
- Human exposure to EMF Test Report ²
- Radio Test Report ²

United Kingdom

- UKCA Declaration of Conformity ¹

USA & Canada

- cNRTL Product Safety Certificate ¹
- cNRTL Product Safety Test Report ²
- FCC & IC EMC Test Report ²
- FCC Radio Verification Certificate
and FCC Equipment Authorization / Registration (for integrated Radio Module) ²
- FCC & IC Radio Test Report (for integrated Radio Module) ²
- FCC Radio Human Exposure Test Report (for integrated Radio Module) ²
- IC Radio Certificate of Compliance
and FCC Equipment Authorization / Registration for Canada ²

Note: This equipment has been tested and found to comply with the limits for a Class A digital device, pursuant to part 15 of the FCC Rules. These limits are designed to provide reasonable protection against harmful interference when the equipment is operated in a commercial environment. This equipment generates, uses, and can radiate radio frequency energy and, if not installed and used in accordance with the instruction manual, may cause harmful interference to radio communications. Operation of this equipment in a residential area is likely to cause harmful interference in which case the user will be required to correct the interference at his own expense.

1. This device complies with Part 15 of the FCC Rules. Operation is subject to the following two conditions:

- (1) This device may not cause harmful interference.
- (2) This device must accept any interference received, including interference that may cause undesired operation.

2. Changes or modifications not expressly approved by the party responsible for compliance could void the user's authority to operate the equipment.

The devices must be installed and used in strict accordance with the manufacturer's instructions as described in the user documentation that comes with the product.

Note: 1. This device complies with Industry Canada's licence-exempt RSSs. Operation is subject to the following two conditions:

- (1) This device may not cause interference; and
- (2) This device must accept any interference, including interference that may cause undesired operation of the device.

2. Cet appareil est conforme aux CNR exemptes de licence d'Industrie Canada . Son fonctionnement est soumis aux deux conditions suivantes :

- (1) Ce dispositif ne peut causer d'interférences ; et
- (2) Ce dispositif doit accepter toute interférence , y compris les interférences qui peuvent causer un mauvais fonctionnement de l'appareil.

The devices must be installed and used in strict accordance with the manufacturer's instructions as described in the user documentation that comes with the product.

China

- SRRC Radio Transmission Equipment Type Approval Certificate ²
- SRRC Radio Transmission Equipment Type Approval Test Report ²

Japan

- PSE Product Safety Test Certificate ¹
- EMC Test Report ²
- Radio Test Report (for integrated Radio Module) ²
- Construction Type Certificate (for integrated Radio Module) ²

South Korea

- EMC Test Report ²
- Radio Test Report (for integrated Radio Module) ²
- KC Registration of Broadcasting and Communication Equipments ²
- KC Registration of Broadcasting and Communication Equipments (for integrated Radio Module) ²

Australia and New Zealand

- ACMA Radiocommunications - Declaration of Conformity ²

United Arab Emirates

- TRA Telecom Equipment Registration Certificate ²
- Note: TRA Registered No: ER57659/17, Dealer No: DA68290/17

India

- WPC Equipment Type Approval Certificate (for integrated Radio Module) ²

Thailand

- NTC Declaration of Conformity ²
- Note: This telecommunication equipment conforms to NTC technical requirement.

Brazil

- ANATEL Certificate of Equipment Authorization (for integrated Radio Module) ²
- Note: Este produto contém a placa Transceptor de Radiacao Restrita LUMENRADIO AB Modelo 200-1502 código de homologação ANATEL No. 04815-18-11402.

Argentina

- RAMATEL Registration (for integrated Radio Module) ²

Mexico

- Radio Test Report (for integrated Radio Module) ²
- NYCE CERTIFICADO DE CONFORMIDAD CON NORMA OFICIAL MEXICANA DE PRODUCTO NUEVO (for integrated Radio Module) ²
- IFT CERTIFICADO DE HOMOLOGACION (for integrated Radio Module) ²
- Note: La operación de este equipo está sujeta a las siguientes dos condiciones:
- (1) Es posible que este equipo o dispositivo no cause interferencia perjudicial y
- (2) Este equipo o dispositivo debe aceptar cualquier interferencia, incluyendo la que pueda causar su operación no deseada.

Philippines

- NTC TYPE ACCEPTANCE CERTIFICATE ²

Maroc

- ANRT Certificat d'agrément ²

Eurasian Economic Union

- EAC Declaration of Conformity ²

¹ : available on our Website

² : available on request

ARRI 