

Matte Box 28, MB-28 (6.6" x 6.6")*

* discontinued items
only as long as stock is available



CONFIGURATION OVERVIEW – 8.8.0 / 2014.11

ARRI assumes no responsibility with regard to the performance or use of the products or typographical errors or inaccuracies of given information. Product specifications are subject to change without notice. For a full listing of all available components consult the price list.

Set's



K0.60088.0 MB-28 Set6.6x6.6/ARRI 19mm
Contains: 1 x K2.66092.0, 1 x K2.66031.0, 3 x K2.66026.0 and 1 x K2.66027.0

K0.60090.0 MB-28 Set 6.6x6.6/ARRI 15mm
Contains: 1 x K2.66092.0, 1 x K2.66031.0, 3 x K2.66026.0 and 1 x K2.66028.0

K0.60092.0 MB-28 Set6.6x6.6/PV-CineAlta Bottom Rods
Contains: 1 x K2.66092.0, 1 x K2.66031.0, 3 x K2.66026.0 and 1 x K2.66034.0

K0.60091.0 MB-28 Set6.6x6.6/PFX Side Rods
Contains: 1 x K2.66092.0, 1 x K2.66031.0, 3 x K2.66026.0 and 1 x K2.66029.0

Bottom Rod Consoles:
K2.66027.0 Arri 19mm
K2.66028.0 Arri 15mm
K2.66034.0 PV Cine Alta (5/8")

PFX Side-Rod Console
K2.66029.0

Extension Bracket
K2.66102.0

F1 Filter frames

5.65 x 5.65 Filter Frame K2.66063.0
for Stage K2.66031.0*

6.6 x 6.6 Filter Frame K2.66026.0*
for Stage K2.66031.0

4 x 5.65 Reducer Frame
K2.66038.0
(for 6.6x6.6 Filter Frame
K2.66026.0 or K4.34685.0)

F5 Filter frames

4" x 6" Filter frame, vertical
K2.66023.0

4" x 5,65" Filter frame, horizontal
K2.65048.0

4" x 5,65" Filter frame, vertical
K2.65049.0

5" x 6" Filter frame, vertical
K2.66024.0

Filter frame combo
4" x 5,65" / 5 x 5, K2.65023.0
5.65" x 5.65" / 5 x 6, K2.65022.0
4" x 5.65" / 4 x 4, K2.65095.0

Light Protection




Top/Bottom flag, K2.66110.0
Side flag, K2.65220.0
Side flag (Set), K0.60111.0

Hard Matte Set (consists of 5 different masks)
2/3" 16:9, K2.66042.0
35mm K2.66043.0


Case for MB-14 / 28
K2.44774.0
with variable deviders




MB-28 Basic Module
K2.66092.0*



6.6x6.6 Filter Stage (2+1) fits R1 Rings ø 165mm
K2.66031.0*



Reducer Ring for 138mm Filter Rings
Snap in Reducer Ring K2.66033.0*
from 165mm-143 mm
for use of R2 Rings (R1-R2)




5.65x5.65 Filter Stage (1+1) fits R1 Rings ø 165mm
K2.66032.0*


Use MB-20 (F5) Filter Frames

R1 Rings 165 mm

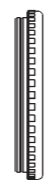
fits in filter stages with ø 165 mm




Adapter ring (R1-R3)
reduces from 6" to 4½"
allows use of R3 filter rings
128 mm, K2.42304.0




Reducer Ring for 138mm Filter Rings
Snap in Reducer Ring K2.66033.0*
from 165mm-143 mm
for use of R2 Rings (R1-R2)




6" Reflex prevention ring
(with rubber sleeve)
K2.45505.0 (ø 156 mm)
K2.44366.0 (ø 150 mm)
K2.49080.0 (ø 148 mm) -
Hawk APL D148
K2.66113.0 (ø 134 mm)




Adapter Ring
Screws into R1 or R2
138mm round filter and
reduces to 114 mm (4½")
K2.49099.0



138 mm filter ring
K2.34784.0 (ø 161 mm)
K2.34260.0 (ø 125 mm)
K2.34260.C (ø 124 mm)
K2.52194.0 (ø 114 mm)
K2.47342.0 (ø 95 mm)
K2.34290.0 (ø 87 mm)
K2.34786.0 (ø 80 mm)




Intermediate ring
K2.34131.0
(for K2.34786.0
for physically short lenses)




6" filter ring
(with rubber sleeve)
K2.52197.0 (ø 114 mm)
K2.34250.0 (ø 144 mm)
K2.66057.0 (ø 150 mm)

R2 Rings 143 mm

fits in filter stages with ø 143 mm




138 mm filter ring
K2.47222.0* (ø 100 mm)




Adapter ring 143-128
with screws - allows to use
of R3 rings, K2.66086.0


all R3 Rings




Large Diameter Wide-Angle Light Trap Rings (not for clamp on ring)
reducing diameter from 143 mm to listed diameter
K2.66268.0 (ø 136 mm)
K2.65245.0 (ø 134 mm)
K2.65073.0 (ø 132 mm)
K2.65072.0 (ø 130 mm)
K2.65090.0 (ø 128 mm)*
*for Fujinon 3 x 5 HAe Super Zoom)
K2.65071.0 (ø 128 mm)*
*not for Fujinon 3 x 5 HAe Super Zoom)
K2.65123.0 (ø 121 mm)
K2.65070.0 (ø 120 mm)
K2.65069.0 (ø 117 mm)
K2.65250.0 (Panasonic 3DA1)



Adapter Ring
Screws into R1 or R2 138mm round filter
and reduces to 114 mm (4½")
K2.49099.0




138 mm filter ring
K2.52204.0 (ø 114 mm)




138 mm filter ring
K2.47190.0 (ø 114 mm)
(wide angle; internal focus
lenses only)

R3 Rings 128 mm

fits in filter stages with ø 128 mm



4½" (114 mm) filter ring
K2.52205.0 (ø 114 mm)
K2.49102.0 (ø 95 mm)
K2.49109.0 (ø 87 mm)



4½" (114 mm) filter ring
for tight installation situations
K2.66067.0 (ø 114 mm)

R5 Screw-In Rings 100 mm

Reduction rings (R5 | 100 mm)
K2.47224.0 (ø 95 mm)
K2.65029.0 (ø 95 mm WA)
(WA =wide angle)
K2.65054.0 (ø 92 mm)
K2.65040.0 (ø 90 mm)
K2.47225.0 (ø 87 mm)
K2.65039.0 (ø 86 mm)
K2.65147.0 (ø 85 mm WA)
K2.65038.0 (ø 85 mm)
K2.65043.0 (ø 80 mm)

R6 Screw-In Rings 87 mm

Reduction ring (R6 | 87 mm)
K2.47226.0 (ø 80 mm)

R4 Screw-In Rings 114 mm

Reduction rings (R4 | 114 mm)
K2.65045.0 (ø 110 mm)
K2.65096.0 (ø 105 mm)
K2.52195.0 (ø 104 mm)
K2.66066.0 (ø 103 mm)
K2.65046.0 (ø 100 mm)
K2.65044.0 (ø 98 mm)
K2.65055.0 (ø 96 mm)
K2.65271.0 (ø 95 mm)
K2.65273.0 (ø 95 mm WA)
K2.65156.0 (ø 94 mm)
K2.65201.0 (ø 93 mm)
K2.65163.0 (ø 91 mm)
K2.65164.0 (ø 89 mm)
K2.65272.0 (ø 87 mm)
K2.65166.0 (ø 85 mm)
K2.65232.0 (ø 82 mm)
K2.65229.0 (ø 81 mm)
K2.65165.0 (ø 80 mm)

R8 Screw-In Rings 150 mm

Reduction rings (R8 | 150 mm)
K2.66060.0 (ø 142 mm)
K2.66059.0 (ø 136 mm)
K2.66058.0 (ø 134 mm)
K2.66061.0 (ø 132 mm)
K2.66073.0 (ø 130 mm)
K2.66074.0 (ø 128 mm)
K2.66075.0 (ø 125 mm)
K2.66076.0 (ø 121 mm)
K2.66077.0 (ø 120 mm)
K2.66078.0 (ø 117 mm)
K2.66095.0 (ø 114 mm)

* discontinued items, only as long as stock is available ø = diameter of connection ring to lens

CAUTION: RINGS CAN VIGNETTE. PLEASE CONTACT ARRI.