

## Sets for LMB 4x5

**LMB 4x5 Pro Set**  
**KK.0015177** - includes:  
 K2.0007992 1x LMB-25 / MB-19 Set of Mattes anam.  
 K2.0000069 1x LMB-25 Set of Mattes  
 K2.0014206 1x LMB 4x5 Tilt and Flex Adapter  
 K2.0013825 2x LMB 4x5 Flag Holders  
 K2.0013750 1x LMB 4x5 Side Flags  
 K2.0013724 1x LMB 4x5 Top Bottom Flag  
 K2.0013447 1x LMB 4x5 Swing Away Tilt Module  
 K2.0014006 1x LMB 4x5 Extra Non-Rotatable Filter Stage  
 K2.0013460 1x LMB 4x5 Extra Rotatable Filter Stage  
 K2.0013014 1x LMB Accessory Adapter  
 K2.0013427 1x LMB 4x5 15 mm LWS Console  
 K2.0013589 1x LMB 4x5 Basic Module (including tray catcher, filter frames and protection matte)  
**Note: Please order Studio Rod Adapters 15mm or 19mm separately**

**LMB 4x5 Clamp-On Set 3-stage**  
**KK.0015175** - includes:  
 K2.0013724 1x LMB 4x5 Top Bottom Flag  
 K2.0014006 1x LMB 4x5 Extra Non-Rotatable Filter Stage  
 K2.0013589 1x LMB 4x5 Basic Module (including tray catcher, filter frames and protection matte)  
**Note: Please order clamp adapters separately**

**LMB 4x5 15mm Lightweight Support (LWS) Set 3-stage**  
**KK.0015176** - includes:  
 K2.0013724 1x LMB 4x5 Top Bottom Flag  
 K2.0014206 1x LMB 4x5 Tilt and Flex Adapter  
 K2.0014006 1x LMB 4x5 Extra Non-Rotatable Filter Stage  
 K2.0013427 1x LMB 4x5 15 mm LWS Console  
 K2.0013589 1x LMB 4x5 Basic Module (including tray catcher, filter frames and protection matte)

**Upgrade Set LMB-25 to LMB 4x5 basic**  
**KK.0015178** - includes:  
 K2.0015140 1x LMB 4x5 Backplate with Filter Guides (including protection matte)  
 K2.0013825 1x LMB 4x5 Flag Holders

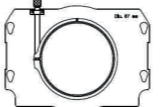


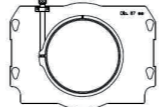
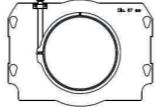

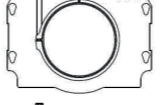
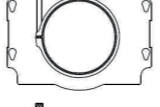
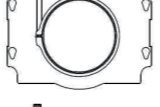
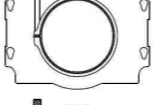


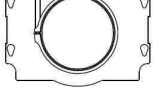
**Pro Set Diopter Accessory 138mm/4,5 inch**  
**KK.0021007** - includes:  
 K2.0013740 3x Diopter Frame 138mm  
 K2.0014745 1x Diopter Stage 138mm  
 K2.0014357 1x Diopter Adapter 138mm to 4.5in  
 K2.0020158 3x Pouch Rota Pola 4x5/Diopter Frame 138  
 K2.0020157 1x Pouch Diopter Stage 138

**Upgrade Set LMB-25 to LMB 4x5 Pro**  
**KK.0015181** - includes:  
 K2.0015140 1x LMB 4x5 Backplate with Filter Guides (including protection matte)  
 K2.0014206 1x LMB 4x5 Tilt and Flex Adapter  
 K2.0013825 1x LMB 4x5 Flag Holders  
 K2.0013750 1x LMB 4x5 Side Flags  
 K2.0013724 2x LMB 4x5 Top Bottom Flag  
 K2.0013447 1x LMB 4x5 Swing Away Tilt Module  
 K2.0014006 1x LMB 4x5 Extra Non-Rotatable Filter Stage  
 K2.0013460 1x LMB 4x5 Rotatable Filter Stage  
 K2.0013014 1x LMB Accessory Adapter  
 K2.0013427 1x LMB 4x5 15 mm LWS Console  
**Note: Please order Studio Rod Adapters 15mm or 19mm separately**

**LMB 4x5 Clamp Adapter Set**  
**KK.0015133** - includes:  
 K2.0014376 1x LMB 4x5 Clamp Adapter Ø 80mm  
 K2.0015065 1x LMB 4x5 Clamp Adapter Ø 85mm  
 K2.0014227 1x LMB 4x5 Clamp Adapter Ø 87mm  
 K2.0014439 1x LMB 4x5 Clamp Adapter Ø 95mm  
 K2.0015103 1x LMB 4x5 Clamp Adapter Ø 100mm  
 K2.0014422 1x LMB 4x5 Clamp Adapter Ø 104mm  
 K2.0014409 1x LMB 4x5 Clamp Adapter Ø 110mm  
 K2.0014396 1x LMB 4x5 Clamp Adapter Ø 114mm  
 K2.0014377 1x LMB 4x5 Clamp Adapter Ø 125mm  
 K2.0014359 1x LMB 4x5 Clamp Adapter Ø 134mm  
 K2.0014348 1x LMB 4x5 Clamp Adapter Ø 136mm  
 K2.0014168 1x LMB 4x5 Clamp Adapter Ø 143mm (interface for LMB 4x5 15 mm LWS Console K2.0013427 integrated)  
 K2.0015075 1x LMB 4x5 Clamp Adapter Ø 162mm

**Flexible Sunshade Side Flag Holders Set,**  
**KK.0038066,** includes:  
 K2.0033772 1x Flexible Sunshade LMB 4x5  
 K2.0036441 1x LMB Side Flag Holders

## Clamp Adapter for LMB 4x5

-  **LMB 4x5 Clamp Adapter**  
 Ø 162mm, K2.0015075
-  **LMB 4x5 Clamp Adapter**  
 Ø 143mm, K2.0014168
-  **LMB 4x5 Clamp Adapter**  
 Ø 136mm, K2.0014348
-  **LMB 4x5 Clamp Adapter**  
 Ø 134mm, K2.0014359
-  **LMB 4x5 Clamp Adapter**  
 Ø 125mm, K2.0014377
-  **LMB 4x5 Clamp Adapter**  
 Ø 114mm, K2.0014396
-  **LMB 4x5 Clamp Adapter**  
 Ø 110mm, K2.0014409
-  **LMB 4x5 Clamp Adapter**  
 Ø 104mm, K2.0014422
-  **LMB 4x5 Clamp Adapter**  
 Ø 100mm, K2.0015103
-  **LMB 4x5 Clamp Adapter**  
 Ø 95mm, K2.0014439
-  **LMB 4x5 Clamp Adapter**  
 Ø 87mm, K2.0014227
-  **LMB 4x5 Clamp Adapter**  
 Ø 85mm, K2.0015065
-  **LMB 4x5 Clamp Adapter**  
 Ø 80mm, K2.0014376

**CAUTION: RINGS CAN VIGNETTE.  
 PLEASE CONTACT ARRI.**

## Accessories for LMB 4x5

-  **LMB 4x5 Basic Module**  
 K2.0013589
-  **LMB 4x5 Side Flags**  
 K2.0013750
-  **LMB 4x5 Top Bottom Flag,**  
 K2.0013724
-  **LMB 4x5 Extra Non-Rotatable Filter Stage**  
 K2.0014006
-  **LMB 4x5 Rotatable Filter Stage,**  
 K2.0013460
-  **LMB 4x5 Swing Away Tilt Module**  
 K2.0013447
-  **Filter Frame 4"x4"**  
 K2.0015551
-  **LMB 4x5 19 mm Studio Rod Adapter**  
 K2.0013432
-  **LMB 4x5 15 mm Studio Rod Adapter**  
 K2.0013440
-  **LMB 4x5 15 mm LWS Console**  
 K2.0013427
-  **LMB 4x5 Tilt and Flex Adapter**  
 K2.0014206
-  **Diopter Frame 138 mm**  
 K2.0013740
-  **Diopter Adapter 138 mm to 4.5"**  
 K2.0014357
-  **Diopter Stage 138mm**  
 K2.0014745
-  **Rota Pola Frame**  
 K2.0009434
-  **LMB 4x5 Foam Insert**  
 K2.0023149
-  **LMB 4x5 Flag Holders**  
 K2.0013825
-  **3/8" Accessory Shoe**  
 K2.66178.0
-  **LMB Accessory Adapter**  
 K2.0013014

**LMB 4x5 technical data:**  
 Max number filters: up to three 4"x5.65" or 4"x4" filters

- LMB 4x5 advanced features:**
- One product covering a wide range of applications
  - Clamp-on, 15mm lightweight and 15 and 19mm Studio Rod Support Options
  - Offers quick and easy set up without tools
  - Tilting option
  - Safety gear such as a tray catcher and securing loop
  - Accessory mount for ultrasonic or other devices
  - Removable sunshade with captive screws

Ø = diameter of connection ring to lens