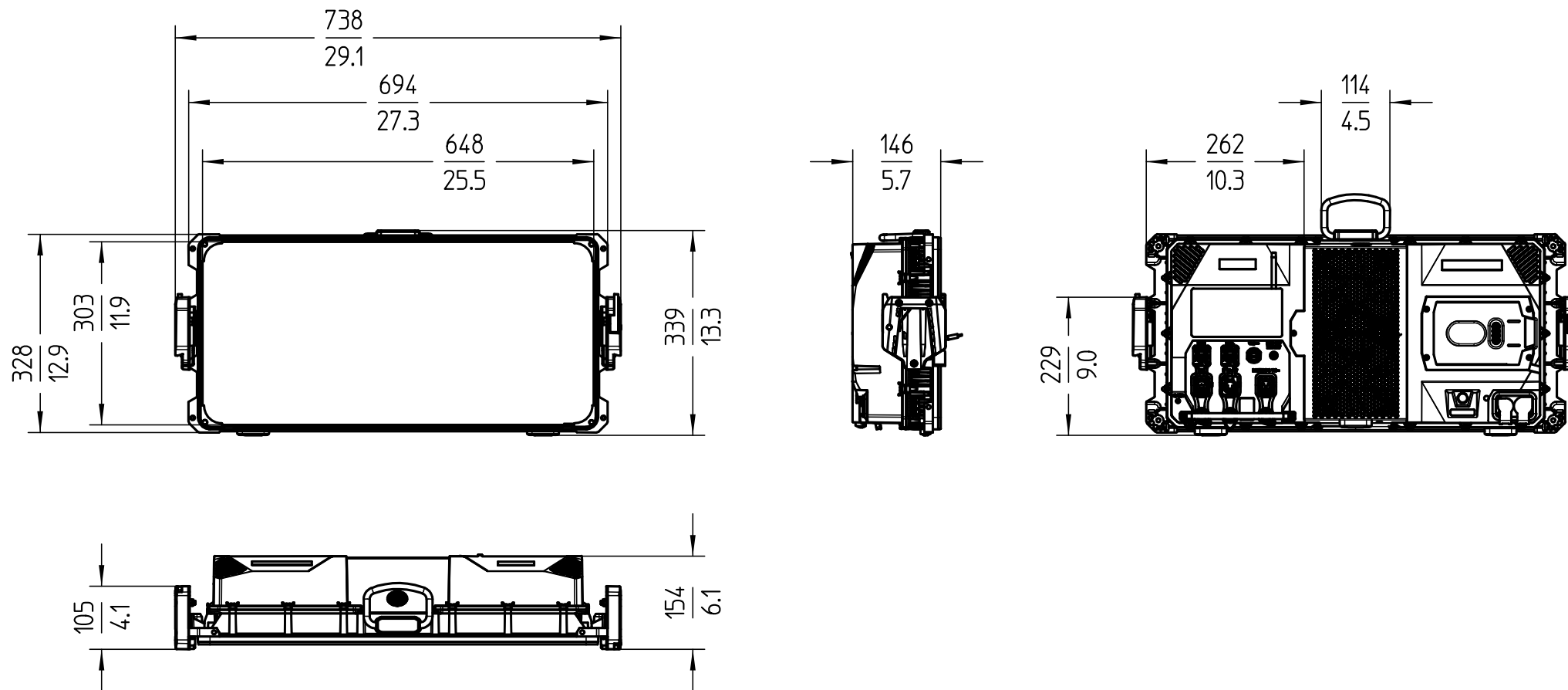


Views without Dome

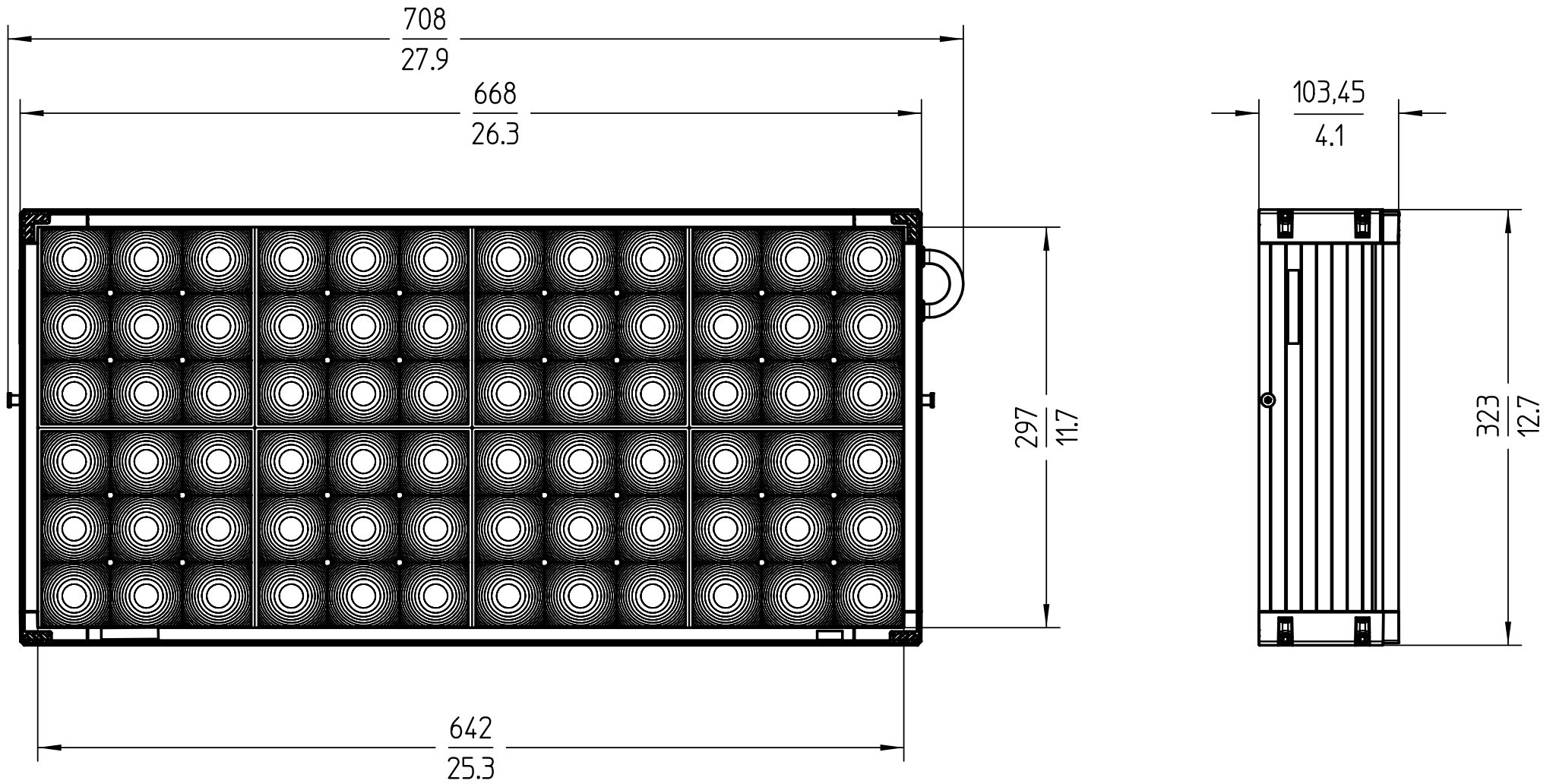


SkyPanel X

L1.0048487

This Technical Drawing is published by Arnold & Richter Cine Technik, 6th November 2023 © ARRI/2023. Technical data and offerings are subject to change without notice. All rights reserved. Without any warranty. Not binding 11/2023.

ARRI, the ARRI logo, ARRIMAX, ARRISUN, EB, **UOS**, L-Series, MAX Technology, M-Series, Orbiter, POCKETPAR, Quick Lighting Mount, QLM, True Blue, SkyPanel, SKYPANEL, Stellar, and T12 as well as the blue/silver color combination are registered trademarks of Arnold & Richter Cine Technik GmbH & Co. Betriebs KG.

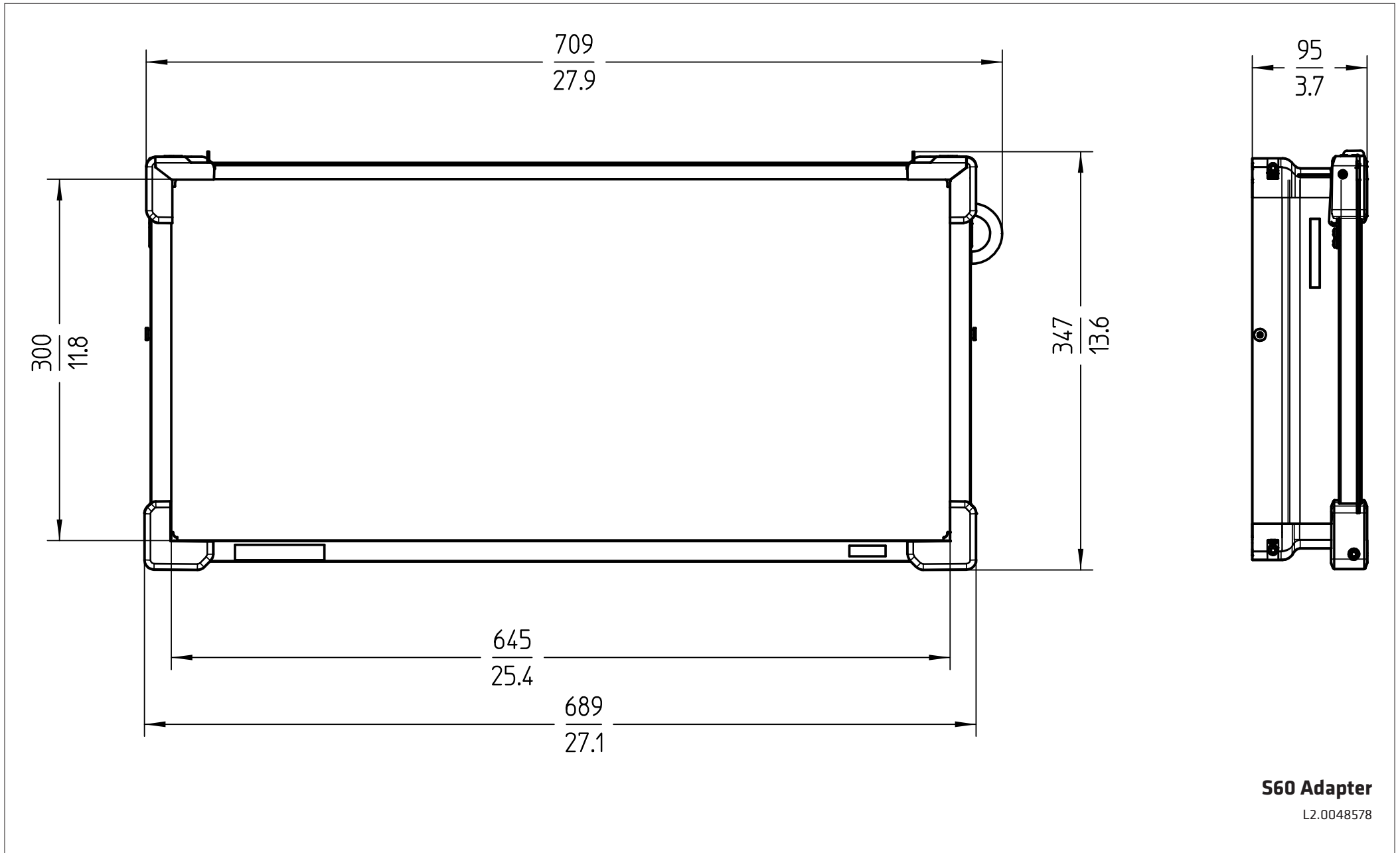


X21 HyPer Optic

L2.0048580

This Technical Drawing is published by Arnold & Richter Cine Technik, 6th November 2023 © ARRI/2023. Technical data and offerings are subject to change without notice. All rights reserved. Without any warranty. Not binding 11/2023.

ARRI, the ARRI logo, ARRIMAX, ARRISUN, EB, **UOS**, L-Series, MAX Technology, M-Series, Orbiter, POCKETPAR, Quick Lighting Mount, QLM, True Blue, SkyPanel, SKYPANEL, Stellar, and T12 as well as the blue/silver color combination are registered trademarks of Arnold & Richter Cine Technik GmbH & Co. Betriebs KG.

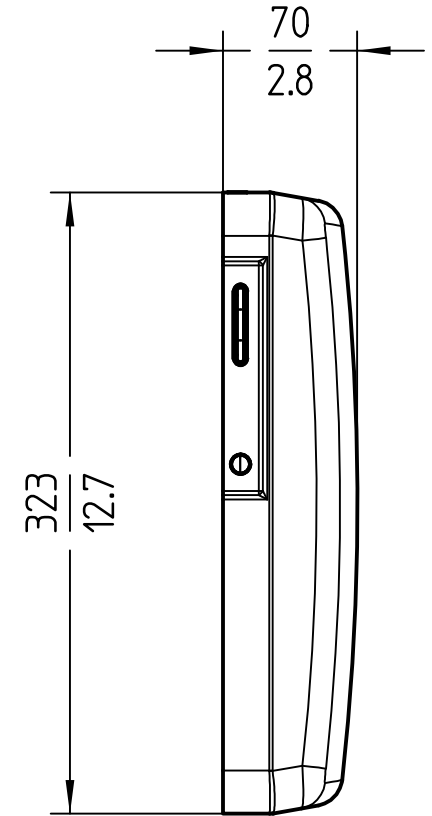
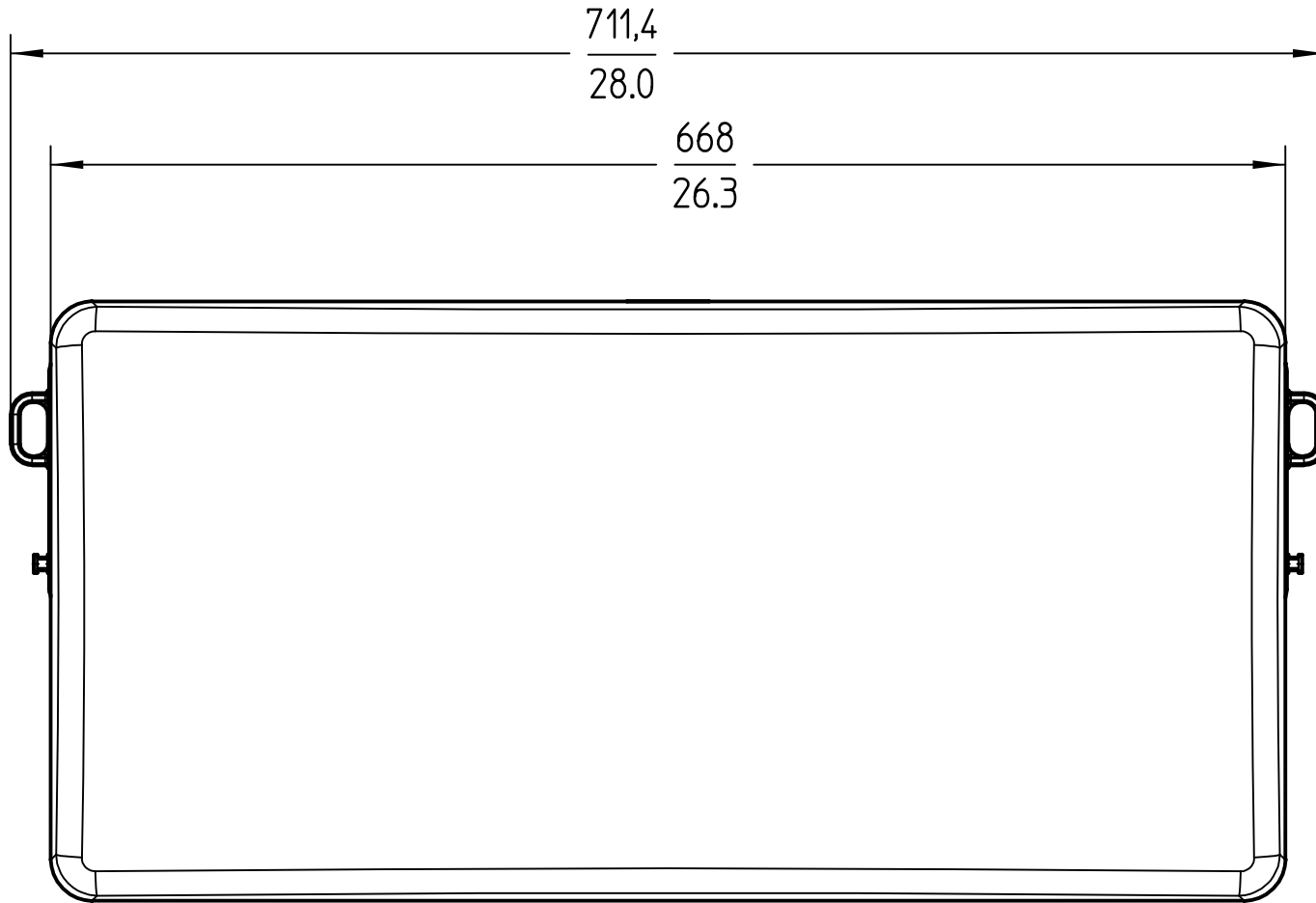


**S60 Adapter**

L2.0048578

This Technical Drawing is published by Arnold & Richter Cine Technik, 6th November 2023 © ARRI/2023. Technical data and offerings are subject to change without notice. All rights reserved. Without any warranty. Not binding 11/2023.

ARRI, the ARRI logo, ARRIMAX, ARRISUN, EB, **UOS**, L-Series, MAX Technology, M-Series, Orbiter, POCKETPAR, Quick Lighting Mount, QLM, True Blue, SkyPanel, SKYPANEL, Stellar, and T12 as well as the blue/silver color combination are registered trademarks of Arnold & Richter Cine Technik GmbH & Co. Betriebs KG.

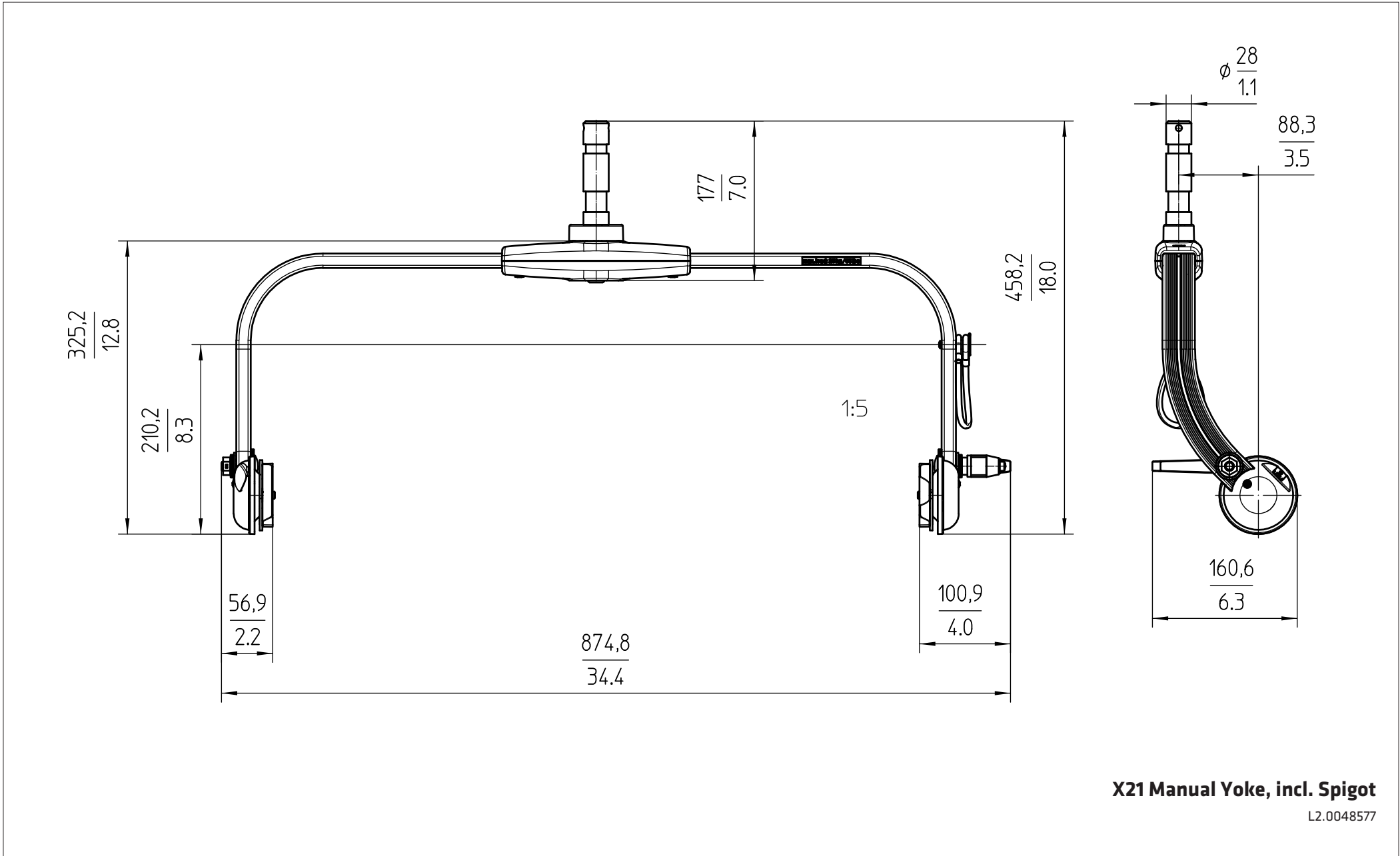


**X21 Dome**

L2.0048643

This Technical Drawing is published by Arnold & Richter Cine Technik, 6th November 2023 © ARRI/2023.  
Technical data and offerings are subject to change without notice. All rights reserved. Without any warranty. Not binding 11/2023.

ARRI, the ARRI logo, ARRIMAX, ARRISUN, EB, **UOS**, L-Series, MAX Technology, M-Series, Orbiter, POCKETPAR, Quick Lighting Mount, QLM, True Blue, SkyPanel, SKYPANEL, Stellar, and T12 as well as the blue/silver color combination are registered trademarks of Arnold & Richter Cine Technik GmbH & Co. Betriebs KG.

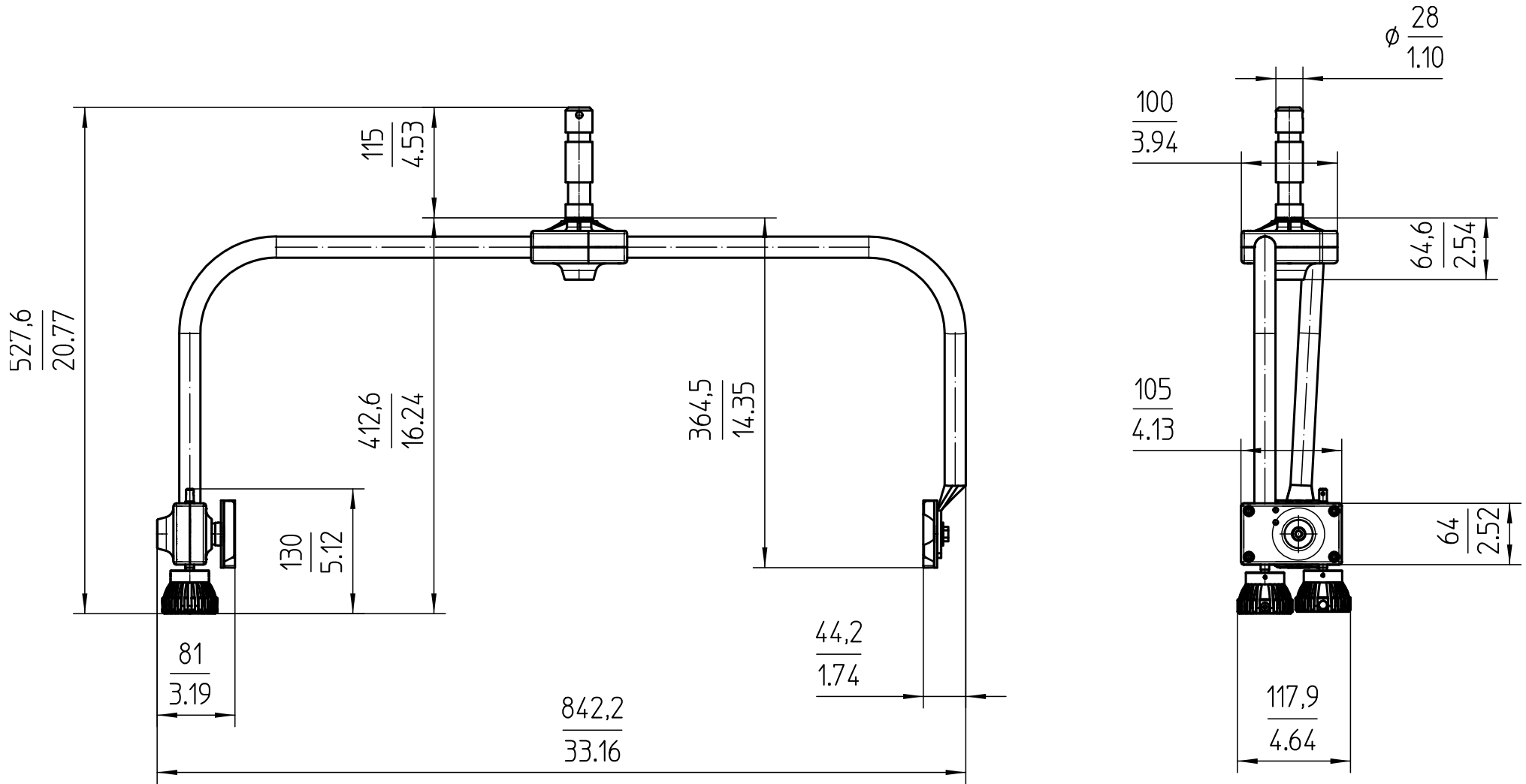


**X21 Manual Yoke, incl. Spigot**

L2.0048577

This Technical Drawing is published by Arnold & Richter Cine Technik, 6th November 2023 © ARRI/2023. Technical data and offerings are subject to change without notice. All rights reserved. Without any warranty. Not binding 11/2023.

ARRI, the ARRI logo, ARRIMAX, ARRISUN, EB, **UOS**, L-Series, MAX Technology, M-Series, Orbiter, POCKETPAR, Quick Lighting Mount, QLM, True Blue, SkyPanel, SKYPANEL, Stellar, and T12 as well as the blue/silver color combination are registered trademarks of Arnold & Richter Cine Technik GmbH & Co. Betriebs KG.

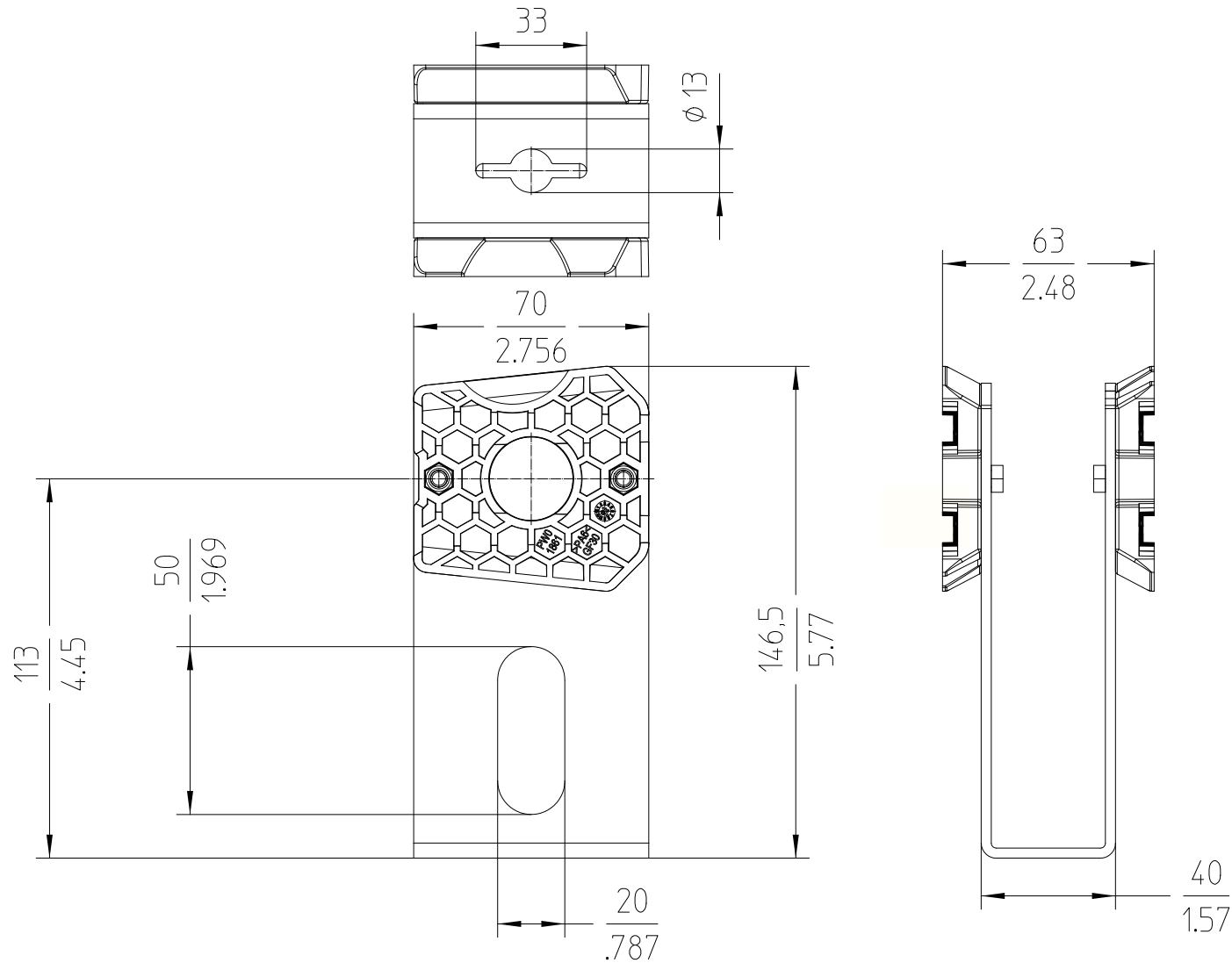


**X21 P.O. Yoke, incl. Spigot**

L2.0048843

This Technical Drawing is published by Arnold & Richter Cine Technik, 6th November 2023 © ARRI/2023. Technical data and offerings are subject to change without notice. All rights reserved. Without any warranty. Not binding 11/2023.

ARRI, the ARRI logo, ARRIMAX, ARRISUN, EB, UOS, L-Series, MAX Technology, M-Series, Orbiter, POCKETPAR, Quick Lighting Mount, QLM, True Blue, SkyPanel, SKYPANEL, Stellar, and T12 as well as the blue/silver color combination are registered trademarks of Arnold & Richter Cine Technik GmbH & Co. Betriebs KG.

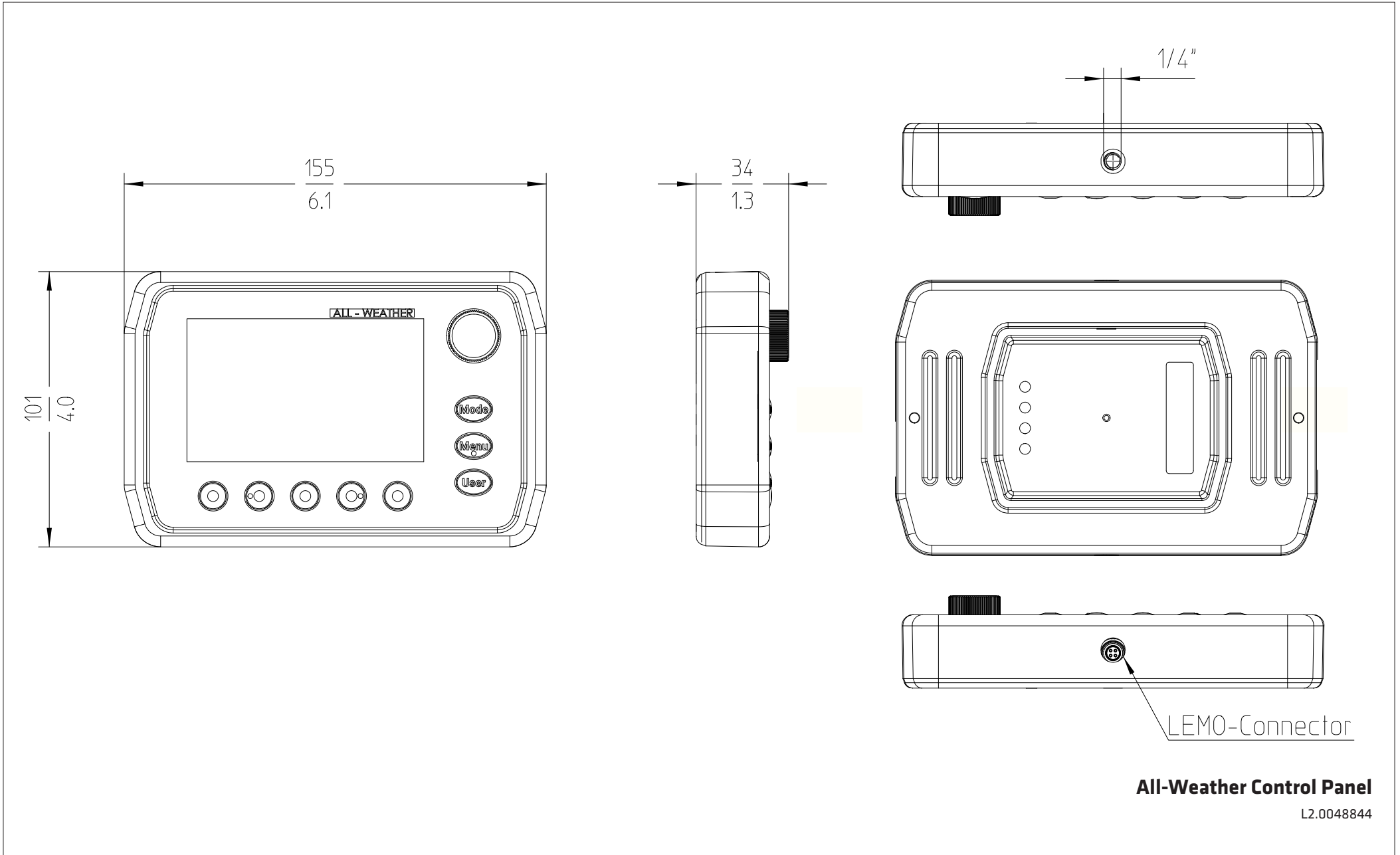


SkyPanel X Twin Quick-Lock

L2.0049276

This Technical Drawing is published by Arnold & Richter Cine Technik, 6th November 2023 © ARRI/2023.  
 Technical data and offerings are subject to change without notice. All rights reserved. Without any warranty. Not binding 11/2023.

ARRI, the ARRI logo, ARRIMAX, ARRISUN, EB, **LIOS**, L-Series, MAX Technology, M-Series, Orbiter, POCKETPAR, Quick Lighting Mount, QLM, True Blue, SkyPanel, SKYPANEL, Stellar, and T12 as well as the blue/silver color combination are registered trademarks of Arnold & Richter Cine Technik GmbH & Co. Betriebs KG.



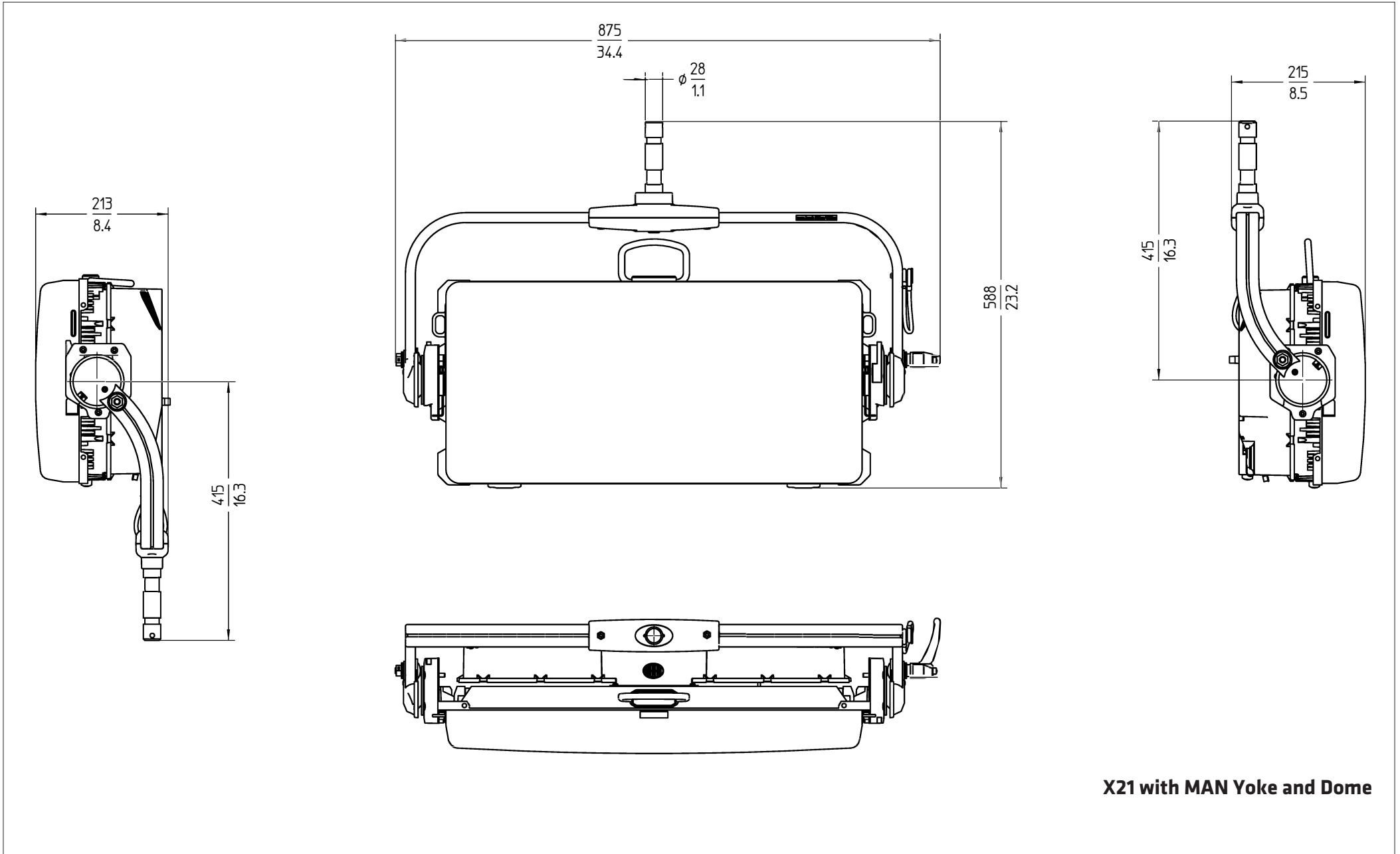
**All-Weather Control Panel**

L2.0048844

This Technical Drawing is published by Arnold & Richter Cine Technik, 6th November 2023 © ARRI/2023. Technical data and offerings are subject to change without notice. All rights reserved. Without any warranty. Not binding 11/2023.

ARRI, the ARRI logo, ARRIMAX, ARRISUN, EB, **UOS**, L-Series, MAX Technology, M-Series, Orbiter, POCKETPAR, Quick Lighting Mount, QLM, True Blue, SkyPanel, SKYPANEL, Stellar, and T12 as well as the blue/silver color combination are registered trademarks of Arnold & Richter Cine Technik GmbH & Co. Betriebs KG.

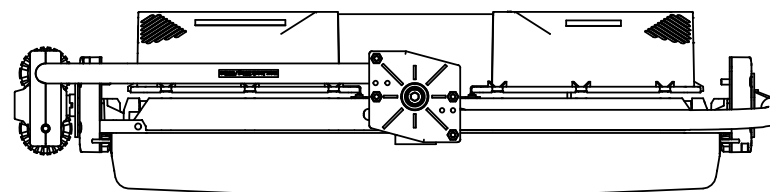
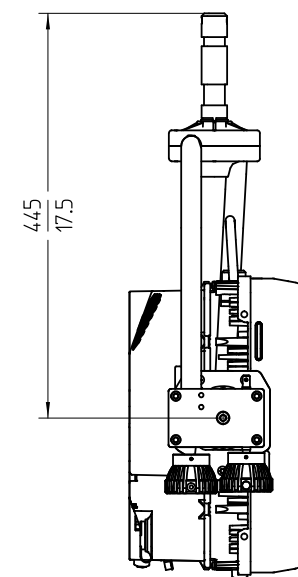
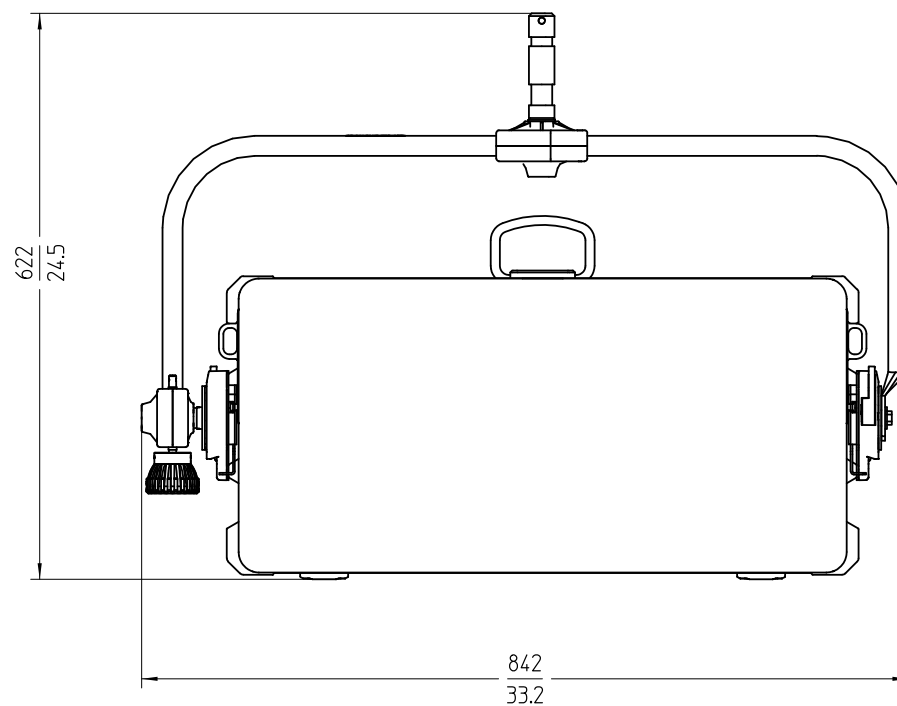
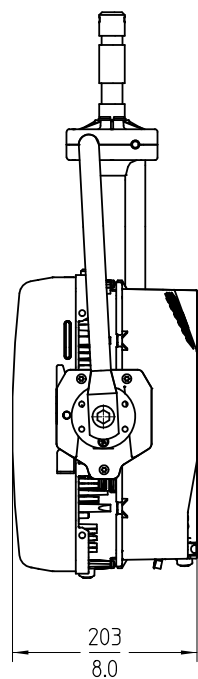




X21 with MAN Yoke and Dome

This Technical Drawing is published by Arnold & Richter Cine Technik, 13th December 2023 © ARRI/2023. Technical data and offerings are subject to change without notice. All rights reserved. Without any warranty. Not binding 12/2023.

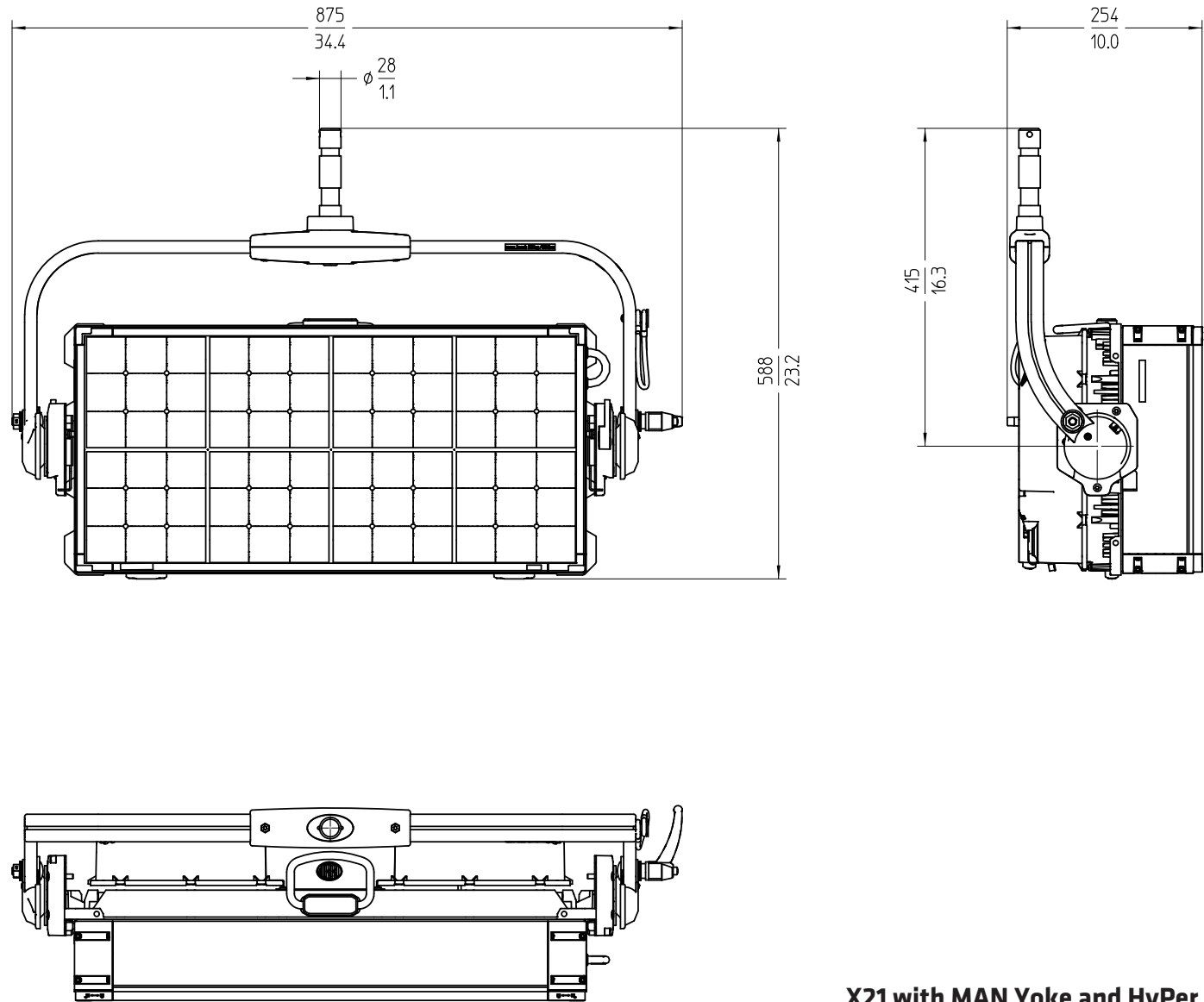
ARRI, the ARRI logo, ARRIMAX, ARRISUN, EB, **LIOS**, L-Series, MAX Technology, M-Series, Orbiter, POCKETPAR, Quick Lighting Mount, QLM, True Blue, SkyPanel, SKYPANEL, Stellar, and T12 as well as the blue/silver color combination are registered trademarks of Arnold & Richter Cine Technik GmbH & Co. Betriebs KG.



**X21 with P.O. Yoke and Dome**

This Technical Drawing is published by Arnold & Richter Cine Technik, 13th December 2023 © ARRI/2023.  
 Technical data and offerings are subject to change without notice. All rights reserved. Without any warranty. Not binding 12/2023.

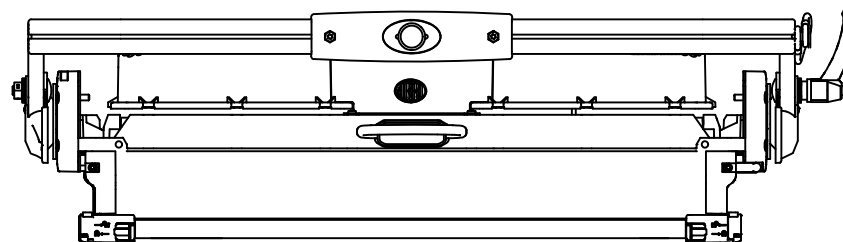
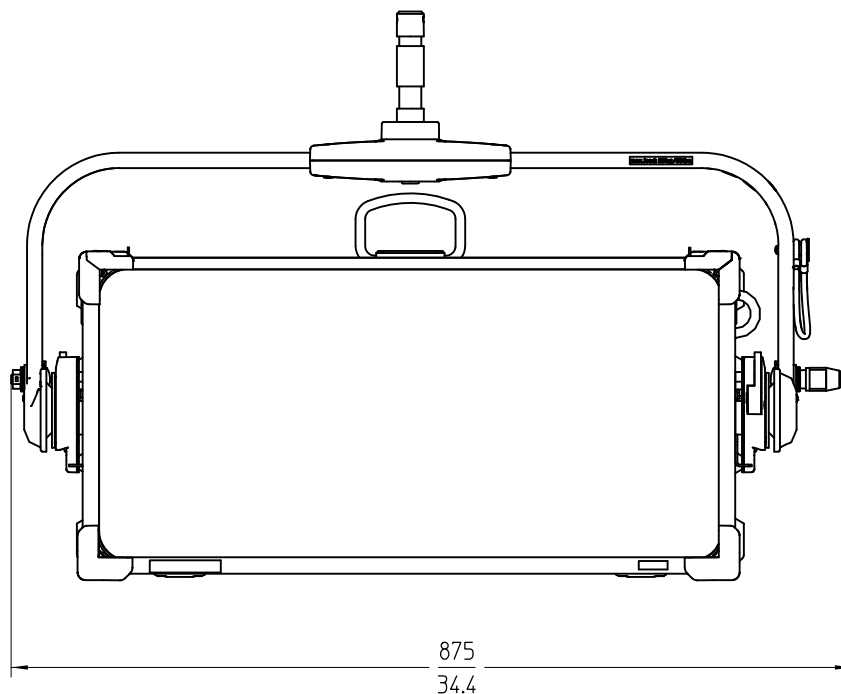
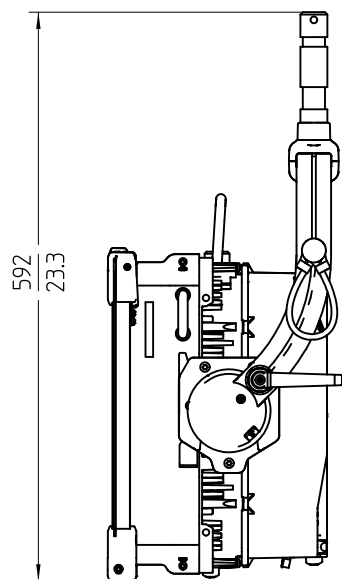
ARRI, the ARRI logo, ARRIMAX, ARRISUN, EB, **LIOS**, L-Series, MAX Technology, M-Series, Orbiter, POCKETPAR, Quick Lighting Mount, QLM, True Blue, SkyPanel, SKYPANEL, Stellar, and T12 as well as the blue/silver color combination are registered trademarks of Arnold & Richter Cine Technik GmbH & Co. Betriebs KG.



X21 with MAN Yoke and HyPer Optic

This Technical Drawing is published by Arnold & Richter Cine Technik, 12th December 2023 © ARRI/2023.  
 Technical data and offerings are subject to change without notice. All rights reserved. Without any warranty. Not binding 12/2023.

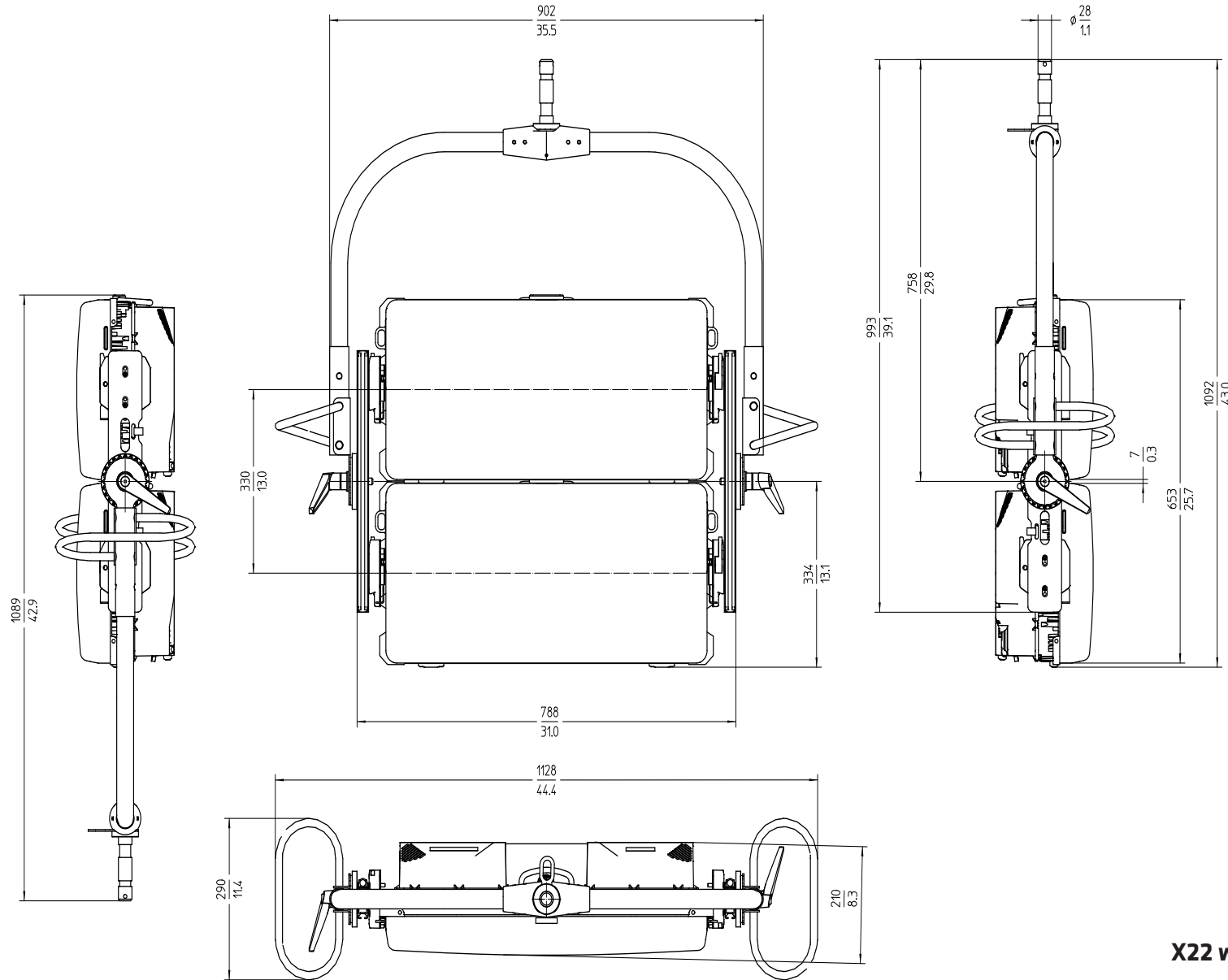
ARRI, the ARRI logo, ARRIMAX, ARRISUN, EB, **LIOS**, L-Series, MAX Technology, M-Series, Orbiter, POCKETPAR, Quick Lighting Mount, QLM, True Blue, SkyPanel, SKYPANEL, Stellar, and T12 as well as the blue/silver color combination are registered trademarks of Arnold & Richter Cine Technik GmbH & Co. Betriebs KG.



X21 with MAN Yoke and S60 Adapter

This Technical Drawing is published by Arnold & Richter Cine Technik, 12th December 2023 © ARRI/2023. Technical data and offerings are subject to change without notice. All rights reserved. Without any warranty. Not binding 12/2023.

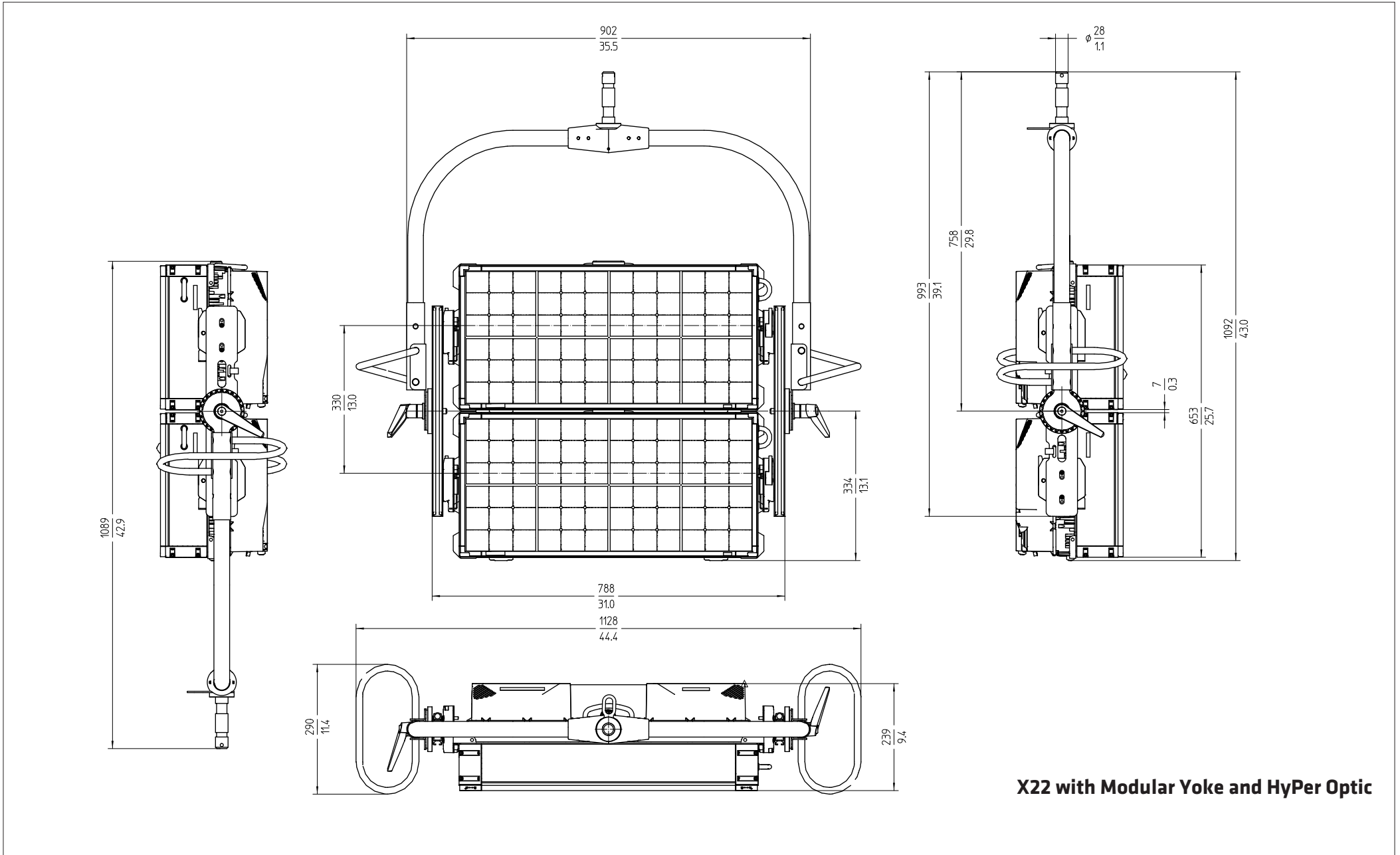
ARRI, the ARRI logo, ARRIMAX, ARRISUN, EB, UOS, L-Series, MAX Technology, M-Series, Orbiter, POCKETPAR, Quick Lighting Mount, QLM, True Blue, SkyPanel, SKYPANEL, Stellar, and T12 as well as the blue/silver color combination are registered trademarks of Arnold & Richter Cine Technik GmbH & Co. Betriebs KG.



X22 with Modular Yoke and Dome

This Technical Drawing is published by Arnold & Richter Cine Technik, 12th December 2023 © ARRI/2023. Technical data and offerings are subject to change without notice. All rights reserved. Without any warranty. Not binding 12/2023.

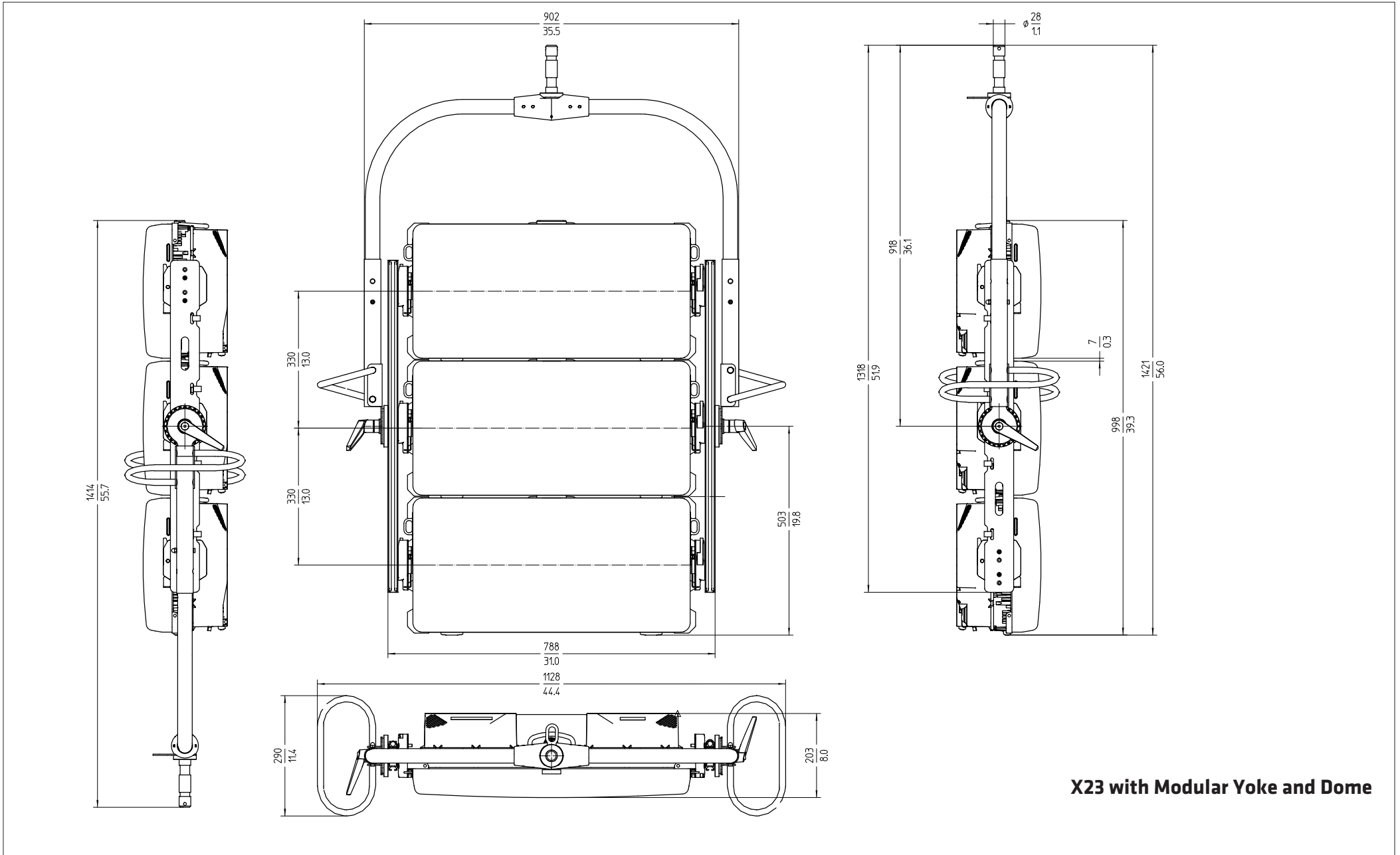
ARRI, the ARRI logo, ARRIMAX, ARRISUN, EB, **LIOS**, L-Series, MAX Technology, M-Series, Orbiter, POCKETPAR, Quick Lighting Mount, QLM, True Blue, SkyPanel, SKYPANEL, Stellar, and T12 as well as the blue/silver color combination are registered trademarks of Arnold & Richter Cine Technik GmbH & Co. Betriebs KG.



X22 with Modular Yoke and HyPer Optic

This Technical Drawing is published by Arnold & Richter Cine Technik, 12th December 2023 © ARRI/2023. Technical data and offerings are subject to change without notice. All rights reserved. Without any warranty. Not binding 12/2023.

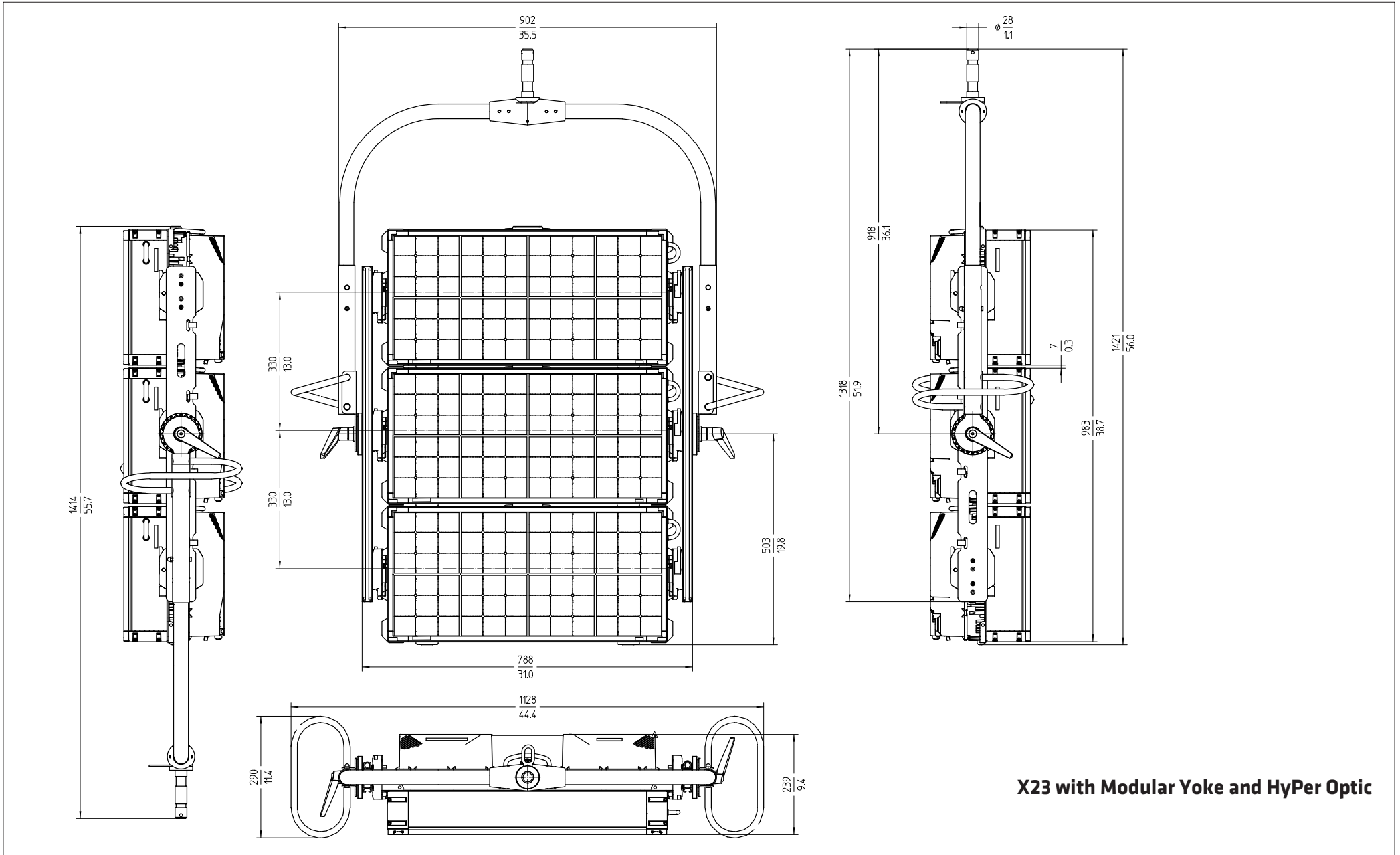
ARRI, the ARRI logo, ARRIMAX, ARRISUN, EB, **UOS**, L-Series, MAX Technology, M-Series, Orbiter, POCKETPAR, Quick Lighting Mount, QLM, True Blue, SkyPanel, SKYPANEL, Stellar, and T12 as well as the blue/silver color combination are registered trademarks of Arnold & Richter Cine Technik GmbH & Co. Betriebs KG.



X23 with Modular Yoke and Dome

This Technical Drawing is published by Arnold & Richter Cine Technik, 12th December 2023 © ARRI/2023. Technical data and offerings are subject to change without notice. All rights reserved. Without any warranty. Not binding 12/2023.

ARRI, the ARRI logo, ARRIMAX, ARRISUN, EB, **LIOS**, L-Series, MAX Technology, M-Series, Orbiter, POCKETPAR, Quick Lighting Mount, QLM, True Blue, SkyPanel, SKYPANEL, Stellar, and T12 as well as the blue/silver color combination are registered trademarks of Arnold & Richter Cine Technik GmbH & Co. Betriebs KG.

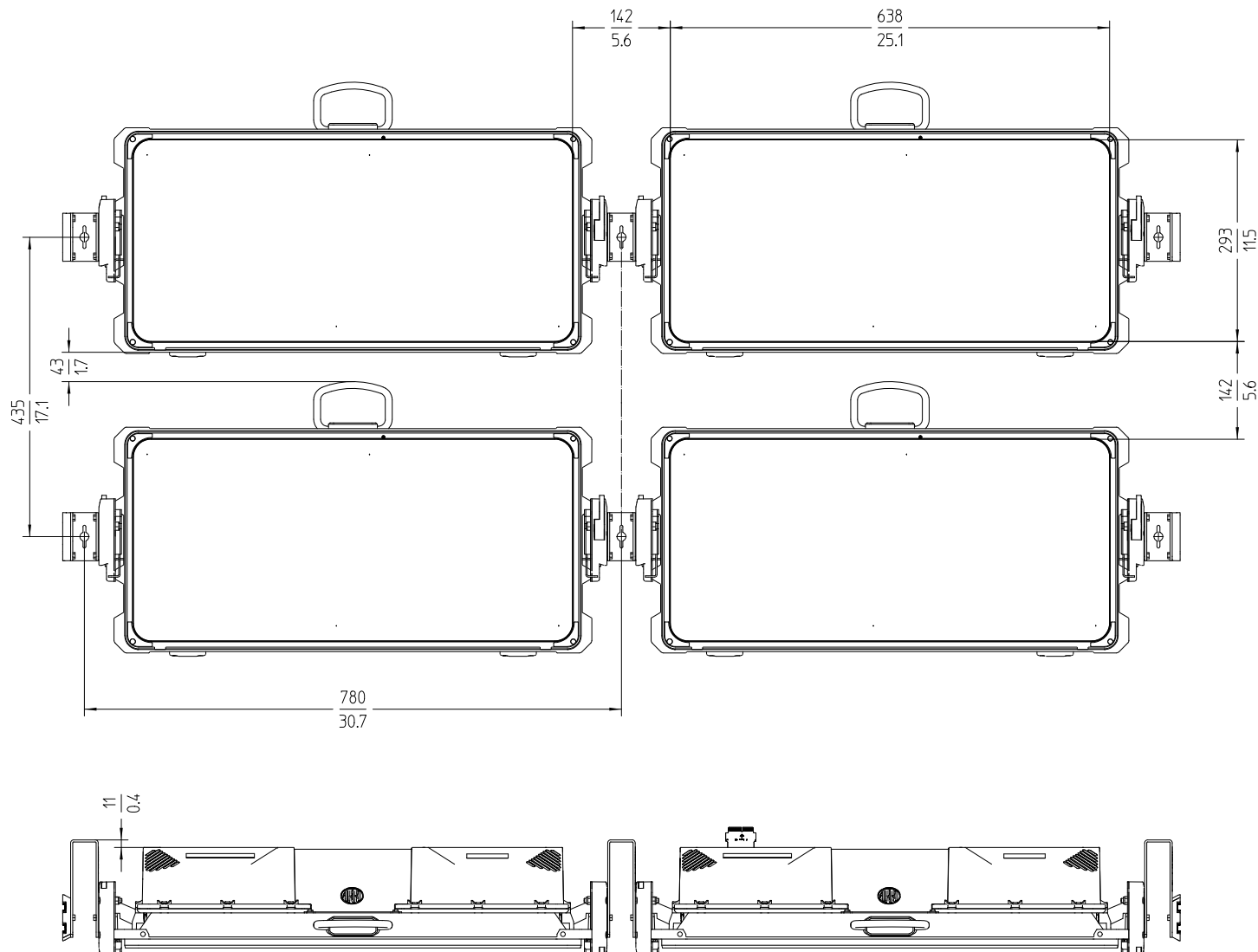


**X23 with Modular Yoke and HyPer Optic**

This Technical Drawing is published by Arnold & Richter Cine Technik, 12th December 2023 © ARRI/2023. Technical data and offerings are subject to change without notice. All rights reserved. Without any warranty. Not binding 12/2023.

ARRI, the ARRI logo, ARRIMAX, ARRISUN, EB, **UOS**, L-Series, MAX Technology, M-Series, Orbiter, POCKETPAR, Quick Lighting Mount, QLM, True Blue, SkyPanel, SKYPANEL, Stellar, and T12 as well as the blue/silver color combination are registered trademarks of Arnold & Richter Cine Technik GmbH & Co. Betriebs KG.





X21 Setup with Twin Quick Lock

This Technical Drawing is published by Arnold & Richter Cine Technik, 17th April 2024 © ARRI/2024.  
 Technical data and offerings are subject to change without notice. All rights reserved. Without any warranty. Not binding 04/2024.

ARRI, the ARRI logo, ARRIMAX, ARRISUN, EB, **LIOS**, L-Series, MAX Technology, M-Series, Orbiter, POCKETPAR, Quick Lighting Mount, QLM, True Blue, SkyPanel, SKYPANEL, Stellar, and T12 as well as the blue/silver color combination are registered trademarks of Arnold & Richter Cine Technik GmbH & Co. Betriebs KG.