

SkyPanel X Preliminary

OPERATING MANUAL

September 2023 • 0.8 • English

L5.0049708



Disclaimer

Before using the product, be sure to read and understand all respective instructions.

The product is available for commercial customers only.

For product specification changes since this document was published, refer to the latest publications of ARRI data sheets or data books, etc., for the most up-to-date specifications.

Not all products and / or types are available in every country. Please check with an ARRI sales representative for availability and additional information.

The information given in this document is subject to change without notice.

While ARRI endeavors to enhance the quality, reliability and safety of their products, customers agree and acknowledge that the possibility of defects thereof cannot be eliminated entirely. To minimize risk of damage to property or injury (including death) to persons arising from defects in the products, customers must incorporate adequate safety measures in their work with the system and have to heed the stated canonic use.

ARRI or its subsidiaries expressly exclude any liability, warranty, demand or other obligation for any claim, representation, or cause, or action, or whatsoever, express or implied, whether in contract or tort, including negligence, or incorporated in terms and conditions, whether by statute, law or otherwise. In no event shall ARRI or its subsidiaries be liable for or have a remedy for recovery of any special, direct, indirect, incidental, or consequential damages, including, but not limited to lost profits, lost savings, lost revenues or economic loss of any kind or for any claim by third party, downtime, good will, damage to or replacement of equipment or property, any cost or recovering of any material or goods associated with the assembly or use of our products, or any other damages or injury of the persons and so on or under any other legal theory.

Neither ARRI nor its subsidiaries assume any liability for infringement of patents, copyrights or other intellectual property rights of third parties by or arising from the use of ARRI products or any other liability arising from the use of such products. No license, express, implied or otherwise, is granted under any patents, copyrights or other intellectual property right of ARRI or others.

In the case one or all of the foregoing clauses are not allowed by applicable law, the fullest extent permissible clauses by applicable law are validated.

Imprint

© 2023 Arnold & Richter Cine Technik GmbH & Co. Betriebs KG. All rights reserved.

The device contains proprietary information of Arnold & Richter Cine Technik GmbH & Co. Betriebs KG; it is provided under a license agreement containing restrictions on use and disclosure and protected by copyright law. Reverse engineering of the software is prohibited.

No part of this publication may be used for distribution, reproduction, transmission, transcription, storage in a data retrieval system, or translated into any language in any form by any means without the prior written permission of Arnold & Richter Cine Technik GmbH & Co. Betriebs KG.

If you are downloading files from our web pages for your personal use, make sure to check for updated versions.

ARRI cannot take any liability whatsoever for downloaded files, as technical data are subject to change without notice.

Due to continued product development the information in this document may change without notice. The information and intellectual property contained herein is confidential between ARRI and the client and remains the exclusive property of ARRI. If you find any problems in the documentation, please report them to us in writing. ARRI does not warrant that this document is flawless.

Art-Net™ Designed by and Copyright Artistic Licence Holdings Ltd.

ARRI, the ARRI Logo, ARRIMAX, ARRISUN, EB, **UOS**, L-Series, MAX Technology, M-Series, Orbiter, POCKETPAR, Quick Lighting Mount, QLM, True Blue, SkyPanel, SKYPANEL, Stellar, T12 as well as the blue/silver color combination are registered trademarks of Arnold & Richter Cine Technik GmbH & Co. Betriebs KG.

Original version.

For Further Assistance

Arnold & Richter Cine Technik GmbH & Co. Betriebs KG

Flintsbacher Str. 1-5

D-83098 Brannenburg

Germany

E-mail: service-lighting@arri.de

Website: <https://www.arri.com/en/technical-service/>

Content

1 About this Document	6
2 About this Product	7
2.1 Introduction to SkyPanel X.....	7
2.2 Intended Use.....	7
2.3 Identification.....	7
2.4 Environmental Conditions.....	7
2.5 Technical Data (Single Device).....	8
2.6 Dimensional Drawings.....	10
2.7 Scope of Delivery and Warranty.....	11
2.8 To Replace the Light Source.....	11
2.9 Certifications and Safety Standards.....	11
3 Safety Instructions	13
3.1 Structure of Safety and Warning Messages.....	13
3.2 Warning Symbols and Product Labels.....	14
3.3 General Safety Instructions.....	15
4 Product Overview	19
4.1 Product Layout.....	19
4.2 Accessory Layout.....	20
4.3 Optical Accessory Layout.....	22
5 Mounting and Assembly	23
5.1 To mount the spigot.....	23
5.2 Yoke Attachment and Detachment.....	23
5.3 Attachment and Detachment of Optical Accessories.....	24
5.4 Power Supply.....	25
5.5 Control Network.....	27
6 Basic Operation	30
6.1 Pan and Tilt.....	30
6.2 Interfaces and Control Data.....	30
6.3 ALL-WEATHER Control Panel.....	31
6.4 Switching On and Off.....	31
8 Maintenance, Cleaning and Repair	33
8.1 Maintenance.....	33
8.2 Cleaning.....	34
8.3 Tilt Brake.....	35
8.4 Repair.....	35
9 Transportation, Storage and Disposal	36
10 ARRI Service Contacts	37

1 About this Document

This operating manual is aimed at everyone involved in using the device. It provides directions on how to operate it safely and as intended. To ensure safe and correct use, all users must read the operating manual before using the device for the first time.

This operating manual is an essential part of the device. It must be easily accessible and in close proximity to the device so that users can use it as a reference anytime.

The separate user manual contains more detailed information about the features and functionalities of the device. Please visit the website www.arri.com to download the user manual.

Keep the operating manual, the user manual and all other operating and assembly instructions belonging to the device in a safe place for future reference and possible subsequent owners.

For useful information in addition to these manuals please have a look at the [ARRI learn & help](#) section on the [ARRI website](#).

The ARRI Academy courses provide unrivalled insights into the full possibilities of working with ARRI camera systems, lenses, lighting systems and accessories.

Our advanced service training courses are designed to transfer detailed knowledge about how to service and repair all types of ARRI products and give you permanent access to detailed service instructions, special tools and service parts. To learn more, please visit [ARRI academy](#) or contact academy@arri.de.



[SkyPanel X product page](#)



[ARRI documentation portal](#)

Searchkeys: SkyPanel X, L1.0048487

Document Revision History

Document ID: L5.0049708

Version	Release	Date	Note
0.8		September 2023	Preliminary

2 About this Product

2.1 Introduction to SkyPanel X

The SkyPanel X represents the next generation of high-end panel lights – max connectivity and best color/brightness setup.

The SkyPanel X is an all-weather, versatile and high output LED luminaire. It enables maximum usability for users and rentals while keeping the high-end parameters of ARRI in terms of quality, innovation and reliability.

The SkyPanel X is conceived as a state of the art modular design able to deliver soft and hard lighting. It is optimized for fast, safe and intuitive operation.

2.2 Intended Use



NOTICE

The SkyPanel X is intended to illuminate persons and objects in a dry or wet environment. The device meets protection class IP 66. Although it is protected against the ingress of dust and moisture, it must not be permanently installed outdoors.

Always follow the safety information. Any usage other than described in this operating manual is not permitted and can damage the device. It can lead to associated risks such as short-circuit, fire hazard, electric shock, etc. You are not allowed to modify the device.

2.3 Identification



The SkyPanel X serial number is located on a label on the back of the SkyPanel X underneath the climate membrane.

The serial number consists of the last 4 digits of the product number L1.0048474-1234 (here: 1234).

2.4 Environmental Conditions

The SkyPanel X should only be used and stored under certain environmental conditions.

Check the following conditions before commissioning and operation:

Permissible Operating Temperature	-4° F to +104° F / -20° C to +40° C
Permissible Storage Temperature	-4° F to +140° F / -20° C to +60° C
Permissible Humidity	0 - 95% RH from -4° F to +104° F / -20° C to +40° C
	Non condensing

2.5 Technical Data (Single Device)

Physical

Wide x height x depth (without yoke)	29.1 x 13.3 x 6.1 in / 738 x 339 x 154 mm
Weight (without yoke and accessories)	33 lbs / 15 kg

Construction

Color	blue / silver
Housing	Composite and aluminum
Protection glass	3 mm
Protection rating	IP 66
Protection Class	I

Installation

Mounting	28 mm Spigot
Approved inclination	+/- 90°
Minimum clearance around device	20 in / 0.5 m
Minimum distance from light aperture to persons, objects or surfaces	40 in / 1.0 m

Thermal

Cooling	active cooling
Number of fans	2
Noise level (High CRI Vari Fan)	<= 30 dB(A)
Noise level (Standard)	<= 20 dB(A)
Noise level (High Output)	<= 38 dB(A)

Electrical

Power supply range	100 - 240 V ~, 50 / 60 Hz
Battery power range	48 V - 52 V =
Typical power draw	800 W

Control and Programming

Channels	12 - 156
Setting and addressing	User menu and remote via control network, web portal, bluetooth
DMX compliance	ESTA DMX512A LumenRadio CRMX
RDM compliance	ANSI E1.31
Art-Net	Version 4
sACN	ANSI E1.31
HTTP	Web, mDNS Bonjour, PTP, NTP
Firmware update	Via USB port, network and ALSM

Connectors

MAINS IN/THRU	powerCON TRUE1 TOP
BATTERY 48V DC	3-pin XLR connector, male
DMX IN / DMX OUT	5-pin XLR
LAN 1/2	RJ-45 connector, IP65
Control Panel	PoE socket, Lemo, IP 68

Light Source

Type	Full Spectrum, 6-color RGBACL LED
Number of light engines	4
Calibrated white light range	1.500 K - 20.000 K
Colored light	RGBACL color mixing
Color rendition index CRI	90 min. / 99 max. (High CRI VariFan mode)
TLCI	93 (typical, High CRI VariFan mode)
Green – Magenta point	-1 / +1

Optical Path

Type	Soft or hard light
Open face, beam angle	120°
X21 Dome, beam angle	106°
HyPer optic, beam angle	11°

Dynamic Functions

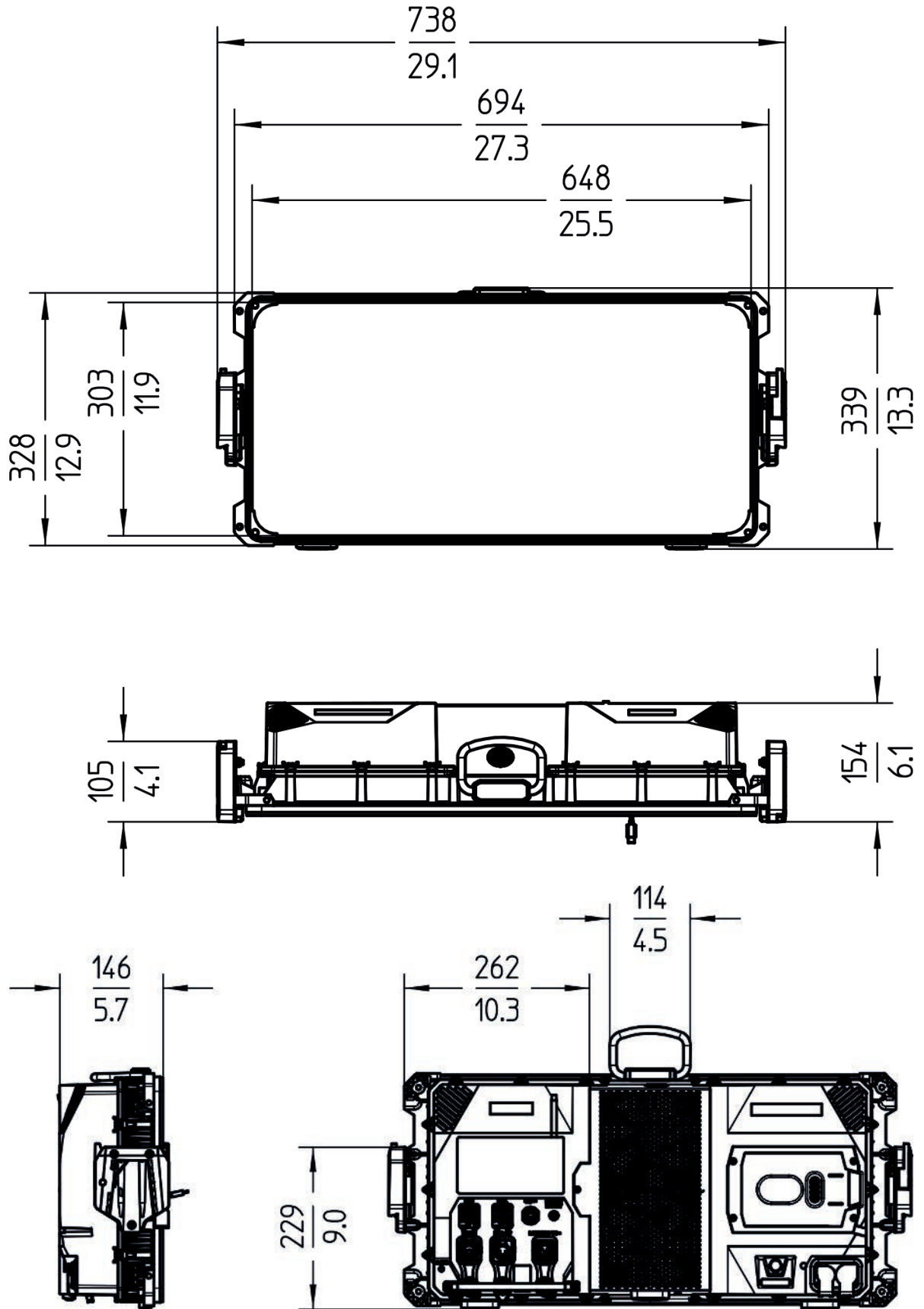
Dimmer	electronic, 0 - 100%
Color mixing	CCT, HSI, RGBW, RGBACL, Effect, XY, Gel, Source Matching

User Interface

Device menu	Detachable ALL-WEATHER control panel with display and buttons
USB-C port	USB 2.0 5 V / 3.0 A

Note: Technical data is subject to change without notice.

2.6 Dimensional Drawings



All dimensions in mm (above line) and in (below line).

2.7 Scope of Delivery and Warranty



NOTICE

The packaging consists of recyclable materials. For the sake of the environment, dispose the packaging material at a suitable disposal site. Always store, ship and dispose according to local regulations. ARRI is not liable for consequences from inadequate storage, shipment or disposal.

On delivery, please check if package and content are intact. Never accept a damaged or incomplete delivery.

Delivery

ARRI offers different SkyPanel X sets for different applications. Please visit the ARRI website and check the [product catalog](#) if you received a complete delivery.

Warranty

For scope of warranty, please ask your local ARRI service center. ARRI is not liable for consequences from inadequate shipment, improper use or use of third-party products.

2.8 To Replace the Light Source



NOTICE

To Replace the Light Source

The light source contained in this luminaire is replaceable. If the light source has reached the end of its operational life or if the light source fails before it reached the end of its specified operational life, please contact the manufacturer or his service agent or a similar qualified person.

2.9 Certifications and Safety Standards

EU Declaration of Conformity



Brand Name:	ARRI
Product Name:	SkyPanel X
Product Description:	Luminaire for stage lighting, television and film studios (outdoor and indoor). LED luminaire for professional use.

The product conforms to the specifications of the following European directives:

- Directive 2014/53/EU of the European Parliament and the Council of 16 April 2014 on the harmonisation of the laws of the Member States relating to the making available on the market of radio equipment
- Directive 2011/65/EU of the European Parliament and the Council of June 8, 2011 on the restriction of the use of certain hazardous substances in electrical and electronic equipment and the Commission Delegated Directive (EU) 2015/863 of March 31, 2015.

The compliance with the requirements of the European Directives has been verified by applying the following standards:

- Art. 3.1 a nach 2014/35/EU –following 2014/35/EU
 - EN 60598-1:2021/A11, EN IEC 60598-2-17:2018, EN 62471:2008, EN 62493:2015;
- Art. 3.1 b nach 2014/30/EU –following 2014/30/EU

- EN IEC 55015:2019 + A11:2020, EN 61547:2009, EN IEC 61000-3-2:2019, EN 61000-3-3:2013 + A1:2019 + A2:2021 + A22021/AC2022, ETSI EN 301 489-1 V1.9.2, ETSI EN 301 489-1 V2.1.1, ETSI EN 301 489-17 V3.1.1;
- Art. 3.2
 - ETSI EN 300 328 V2.2.2 (partly);
- EN IEC 63000:2018;

Year of affixed CE-marking: 2023

The manufacturer bears sole responsibility for issuing this declaration of conformity.

UK Declaration of Conformity



Brand Name: ARRI
Product Name: SkyPanel X
Product Description: Luminaire for stage, lighting, television and film studios (outdoor and indoor).
LED Luminaire for professional use.

The designated products conform to the specifications of the following United Kingdom regulations:

1. The Electrical Equipment (Safety) Regulations 2016
2. The Electromagnetic Compatibility Regulations 2016
3. The Radio Equipment Regulations 2017
4. The Restriction of the Use of Certain Hazardous Substances in Electrical and Electronic Equipment Regulations 2012

The compliance with the requirements of the United Kingdom regulations was proved by the application of the following standards:

1. EN 60598-1:2015 + A1:2018; EN IEC 60598-2-17:2018; EN 62471:2008; EN 62493:2010
2. EN 55015 :2019 + A11:2020; EN 61547:2009; EN 61000-3-2:2014; EN 61000-3-3:2013; EN 301 489-1 V1.9.2
3. EN 300 328 V2.2.2
4. EN IEC 63000:2018

The manufacturer bears sole responsibility for issuing this declaration of conformity.

3 Safety Instructions

This safety information is in addition to the specific operating instructions in general and must be strictly observed for safety reasons. Read and understand all safety and operating instructions before you operate or install the device. Retain all safety and operating instructions for future reference. Always follow the instructions in this and all documents supplied with the device to avoid injury to yourself or others and damage to the device or other objects.

Assembly and operation should only be carried out by trained staff familiar with the device. Only use the tools, materials and procedures recommended in this document. For the correct use of other equipment, see the manufacturer's instructions.

3.1 Structure of Safety and Warning Messages

These instructions use safety instructions, warning symbols and signal words to draw your attention to different levels of risk:



DANGER

DANGER indicates an imminent danger. If not avoided, death or serious injury will result.

Always follow the recommended measures to avoid this hazardous situation.



WARNING

WARNING indicates a possibly imminent danger. If not avoided death or serious injury may result.

Always follow the recommended measures to avoid this potentially hazardous situation.



CAUTION

CAUTION indicates a potentially imminent danger. If not avoided, slight or minor injuries may result.

Always follow the recommended measures to avoid this potentially hazardous situation.



NOTICE

NOTICE indicates a potentially harmful situation. If not avoided, the equipment or something in its surrounding may be damaged.

Always follow the recommended measures to avoid this situation.

HINT

Not relevant to safety, **HINT** provides additional information to clarify or simplify a procedure.

3.2 Warning Symbols and Product Labels



READ THE INSTRUCTIONS
 Read all instructions carefully before installing, using or servicing the device. Refer to the ARRI website www.arri.com for the latest documentation.



NOT FOR RESIDENTIAL USE
 Not to be used in residential areas. The device is intended for professional use only.

The device may only be operated by qualified persons.



CAUTION – GENERAL RISK!
 General warning sign. Obey the general and local safety regulations.



DANGER OF LIFE! CAUTION – RISK OF ELECTRICAL SHOCK
 Do not open the housing of the device. For safe operation, the housing must be completely closed at all times.



CAUTION – HIGH BEAM INTENSITY! RISK OF EYE INJURY!
 Do not stare into the operating light source of the device.



CAUTION – OPTICAL RADIATION!
 The device emits optical radiation such as UV, visible radiation, IR during operation. Always obey the minimum distance to persons and objects. Obey the information about the photobiological hazards and risk group.



CAUTION – MOVING PARTS! RISK OF CRUSHING!
 Do not crush your fingers or hands when moving the device or components of the device.



CAUTION – HOT SURFACE! RISK OF BURNING!
 The device or parts of the device become hot during operation. Touch hot parts only with protective gloves.



CAUTION – SHARP ELEMENT! RISK OF CUTTING AND STITCHING!
 Wear protective gloves when handling the element.



CAUTION – OBSTACLES! RISK OF STUMBLING AND FALLING!
 Warning of obstacles on the ground.



DISCONNECT ELECTRICALLY
 Disconnect electrically before relamping or carrying out any service or maintenance work or when the device is not in use.



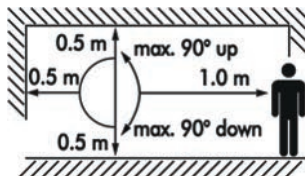
REPLACE DAMAGED COMPONENTS
 Replace any cracked or scratched protective shields such as lenses, UV-screens, diffusions or housing parts immediately. Do not use a device with broken parts.



Direct Current symbol found on electronics requiring or producing DC power.

The device shall only be used complete with its protective shield.

Mandatory Safety Distances



Always observe the minimum distances to persons and flammable objects given on the type plate. Always observe the maximum tilt angle.

3.3 General Safety Instructions



DANGER

High voltage!

Risk of electric shock and fire hazard.

- ▶ Read and understand all safety information and operating instructions before you operate or install the device or the system.
- ▶ Not to observe the safety information or general rules of reason may cause injury or death to yourself and others or damage to equipment.
- ▶ Use the device solely and exclusively as described in the instructions.
- ▶ Always check that the local AC power matches the voltage and frequency range printed on the type label of the device before use.
- ▶ Always earth the fixture electrically.
- ▶ Use only TN- or TT one phase power supplies and a power plug according to IEC 60309-1 or a similar national standard.
- ▶ Use only a power and connection cable designed for the device.
- ▶ Never use a cable for transportation.
- ▶ Never hang the device on its cables.
- ▶ Do not open the device. There are no user serviceable parts inside.
- ▶ Isolate the device from the power source when working on it or when it is not in use.
- ▶ In case of visible damage to cables or housings, the device must not be operated any longer.
- ▶ Never attempt to repair any part of the device on your own. Maintenance and repair work is only to be carried out by an authorized ARRI service center.
- ▶ Do not bypass or remove any safety feature of the device.



WARNING

Operation of the Device in Case of Obvious Damage

Risk of electric shock and fire hazard caused by short circuit.

- ▶ Never use the device if electrical lines or housing are visibly damaged.
- ▶ Only use the type of power source indicated in the manual.
- ▶ Always grip the power plug to unplug the power cable.
- ▶ Do not lay cables over sharp edges (e.g. sheet metal, profile or other cut edges). Damaged cables can cause electric shock, short circuit or fire.
- ▶ Do not remove or deactivate any safety measures from the device (incl. warning stickers or paint marked screws).
- ▶ Do not try to repair the device. Repairs may only be carried out by an authorized ARRI service center.



WARNING

Humidity and Condensation

Risk of electric shock and fire hazard caused by short circuit.

- ▶ Never expose the device to rain or moisture in a fixed installation for a long time.
- ▶ Do not immerse the device in any liquid.
- ▶ Do not use the device for 2 h when it was exposed to big temperature differences as condensed moisture may damage the device electrically when switched on.
- ▶ Do not bend the power cable directly after the connector. Water could immerse and cause short circuits and damage the connector.



WARNING

Overheating

Risk of skin burns and fire hazard.

- ▶ Do not operate the device if the ambient temperature exceeds 104° F / +40° C.
- ▶ Intensive use can cause the surface to become hot (up to VARIABLE). Let the device cool down completely before you handle it.
- ▶ Never cover air vents during operation. Keep a minimum clearance around the air vents of 20 in / 0.5 m.
- ▶ Never point an intense light beam from light source to the device.
- ▶ Do not place the device on or nearby heat sources. Intense heat cause damage to the device or automatic power off during operation.



WARNING

Intense light

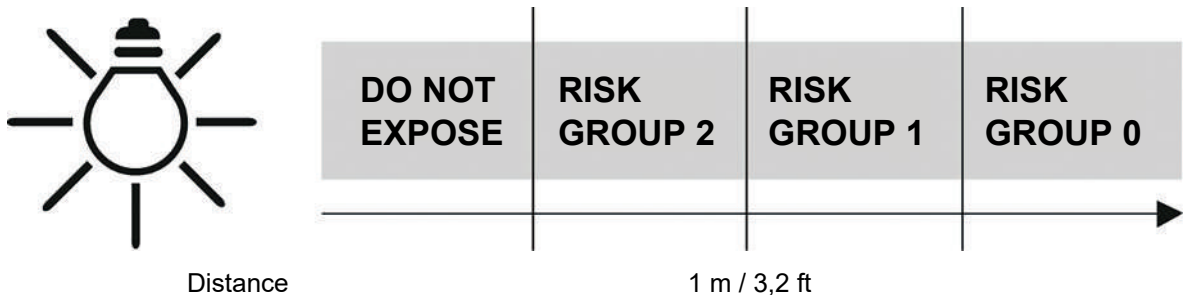
Risk of injury and fire hazard.

- ▶ Do not stare at an operating light source.
- ▶ Do not stare at the light output aperture. Risk of irreversible eye injury. Wear safety glasses. Keep a minimum distance to an illuminated surface, objects or persons of 40 in / 1.0 m .
- ▶ The device must not be used without a diffuser or intensifier installed.

Photobiological Safety

Risk group 1

Potentially dangerous optical radiation. Do not look into the light for longer periods of time during operation. Can be harmful to the eyes.*



*The risk group listed here applies to the minimum distance specified. Further information regarding hazards due to optical radiation are present and can be requested from your dealer if necessary.



WARNING

Heavy weight

Risk of injury and damage.

- ▶ The yoke must be mounted hanging or standing vertically. Lateral load can cause deformation or breaking the spigot, its fixing screw and the yoke.
- ▶ Devices and accessories must be secured against fall when mounted above floor level. Always observe common and local safety regulations.
- ▶ Secure the device against tipping when standing on the floor. Always observe common and local safety regulations.
- ▶ Disconnect all cables prior to transport.



WARNING

Falling System Parts

Risk of injury and damage.

Do not built up or assemble the device in a wrong way. It can fall down and cause serious injuries and damage to the device or property.

- ▶ Installation and operation must only be carried out by approved persons who know the device. Obey the accident prevention regulations.
- ▶ Never put the device on a not stable trolley or hand truck, stand, tripod, bracket, table or any other not stable support device.
- ▶ Always place the device on dedicated support devices.
- ▶ Secure the device and its accessories against falling and tipping over. Obey the general and local safety regulations.



WARNING

Falling System Parts due to Wind Load

Risk of injury and damage.

- ▶ Check prior to work whether relevant natural or artificial wind loads can be expected in the working environment.
- ▶ Always secure the lighting system and its accessories against falling, when installed above head.
- ▶ Always secure stands and tripods for the lighting system with sandbags against tipping over.
- ▶ Never continue the work when the wind load is too strong.
- ▶ Obey the general and local safety regulations regarding wind load, where available.



WARNING

Connected Cable on the Floor

Risk of injury caused by tripping, falling or slipping over connected cables.

- ▶ Always properly secure cables connected to the device and accessories.
- ▶ Always install cables that they cannot be tripped over.
- ▶ If necessary, use a cable duct or secure the cables with adhesive tape.
- ▶ Always disconnect the cables from the device and accessories before moving.



CAUTION

Deformation Caused by External Force

Risk of damage to the SkyPanel X.

- ▶ Do not use the quick mount adapters to carry the device.
- ▶ Do not apply lateral force to the quick mount adapters.
- ▶ Do not rest the device on the quick mount adapters.



CAUTION

Broken Cover Glass

Risk of cutting fingers.

- ▶ Do not hit the cover glass.
- ▶ Use protective gear in case of broken cover glass.



CAUTION

Unintentional or Unexpected movement

Risk of crushing body parts. Narrow gaps and heavy weight.

- ▶ Crushing of fingers or hand between yoke and housing. Always wear protective gloves and keep your fingers out of the space between yoke and housing.
- ▶ Always wear protective gloves when mounting accessories.
- ▶ Never rest the device on your hand or foot. Risk of crushing fingers, hand or foot.



NOTICE

Parts Loosening Caused by External Vibration

Risk of damage to the SkyPanel X.

- ▶ Do not use in places where the device is subject to vibration.
- ▶ Do not store in places where the device is subject to vibration.



NOTICE

Use of Unauthorized Accessories and Service Parts

Risk of damage to the SkyPanel X

- ▶ Do not use any accessories and service parts that are not recommended by ARRI. They may damage any connected devices and invalidate the warranty.

4 Product Overview

The light source of the SkyPanel X is located behind a sealed protective glass. The device is equipped with accessory mounts on all four corners on the front.

There are two yoke brackets with quick-release levers on the left and right side of the device. The yoke brackets can be dismantled to mount several devices in a group.

The large heat sink is located between the housing of the light source and the housing for the integrated power supply unit, fan and power electronics.

The device is waterproof according to IP 66. A pressure relief valve is located at the back to equalize the pressure when the device heats up and cools down. The fans between the electronics housings comply with protection class IP 66. A perforated sheet metal protects the fans from damage.

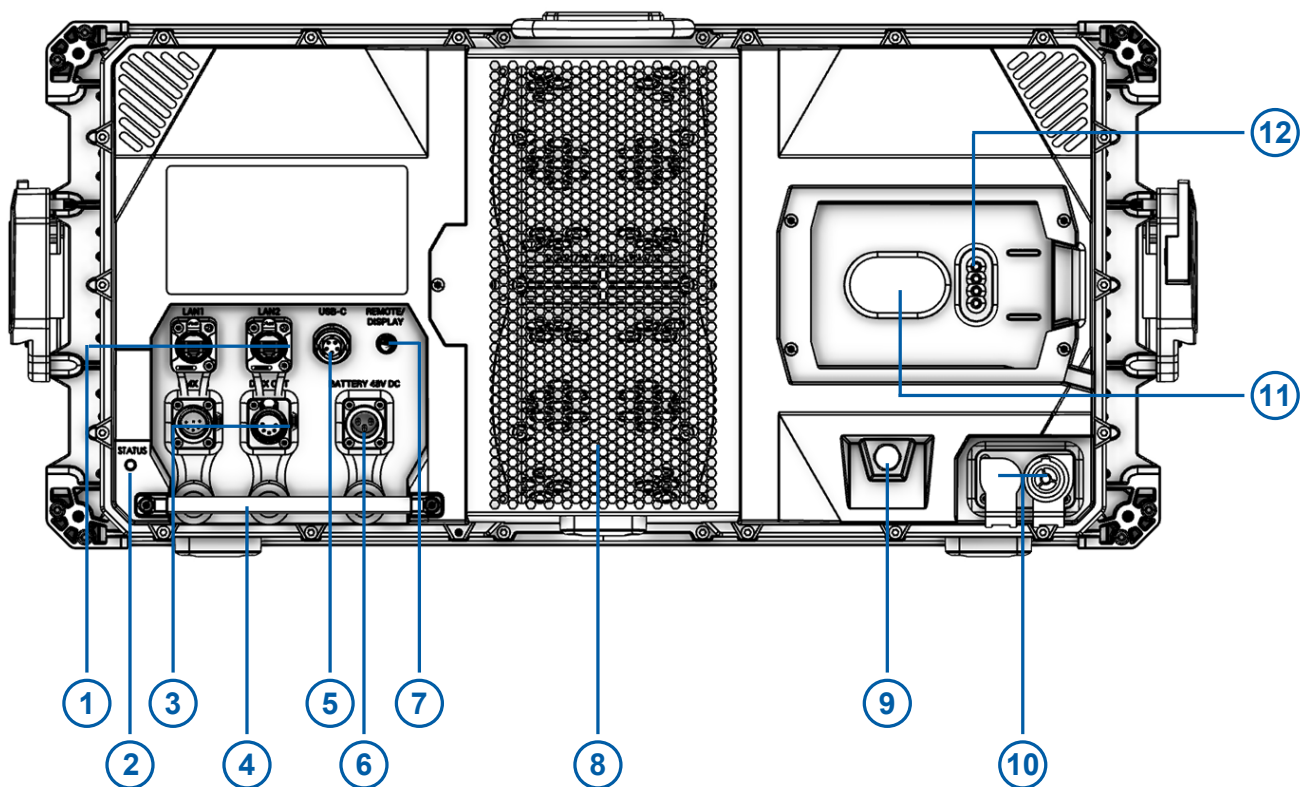
On the back of the device is the control panel recess and the connector panel.

The control panel connects automatically to the SkyPanel X when inserted into the recess. It is held in place magnetically.

All connections are provided with protective rubber caps or correspond to protection class IP 66. The protective caps must be mounted if a connection is not used to comply with protection class IP 66.

4.1 Product Layout

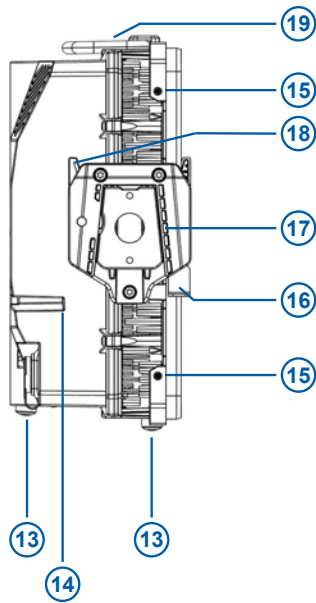
Back View



- | | | | |
|---|--|----|------------------------------------|
| 1 | LAN 1 / 2 (with rubber caps) | 7 | Remote / display connector |
| 2 | Status LED | 8 | Fan cover |
| 3 | DMX in / thru / out (with rubber caps) | 9 | Climate membrane |
| 4 | Focus handle | 10 | Mains in / thru (with rubber caps) |
| 5 | USB-C connector (with protective cap) | 11 | Control panel holding magnet |
| 6 | Battery in (with rubber cap) | 12 | Control panel connector pins |

Left View

(As seen from the front)



- 13 Rubber foot (3x)
- 14 Drain for control panel recess
- 15 Accessories holder (4x)
- 16 Retaining clip for accessories (left and right side)
- 17 Yoke bracket (left and right side)
- 18 Quick release lever
- 19 Handle and safety rope attachment

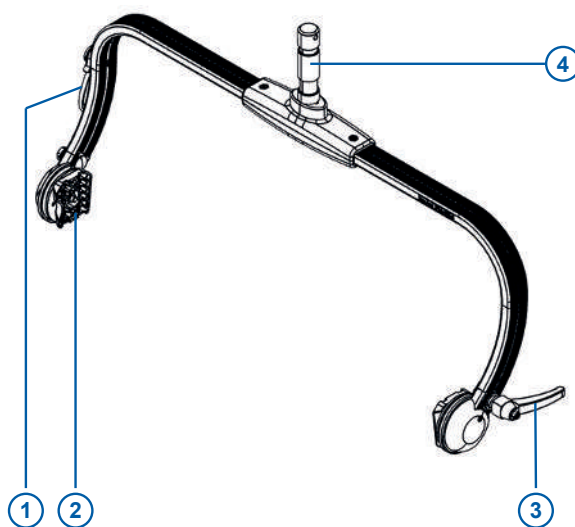
4.2 Accessory Layout

ALL-WEATHER Control Panel



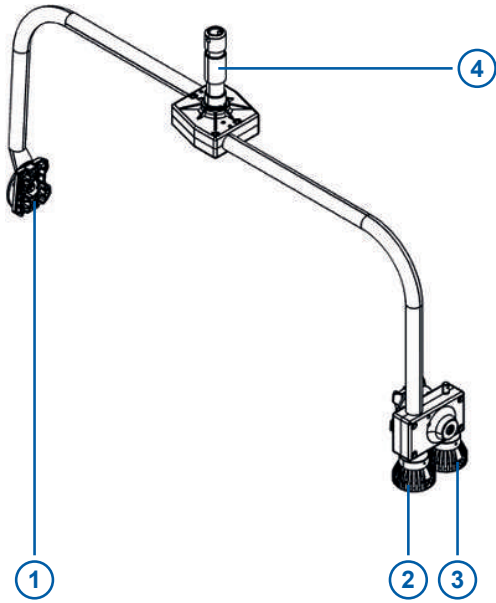
- 1 Connectors to SkyPanel X
- 2 4 pin Lemo connector
- 3 Neodym magnet
- 4 Thread for D ring
- 5 Sensor for display brightness

Manual Yoke



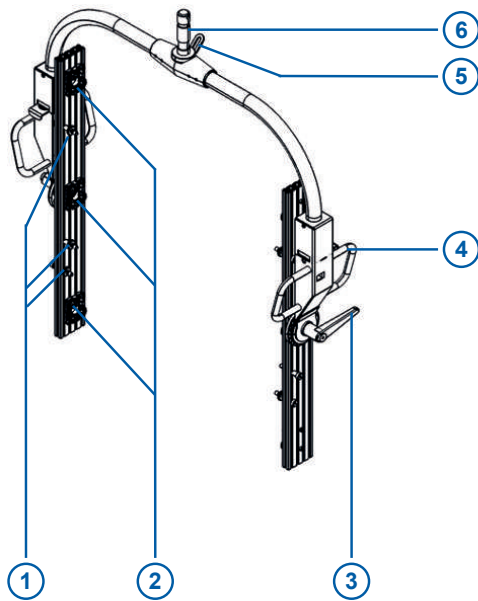
- 1 Yoke adapter (2x)
- 2 Cable sling (NOT safety rope!)
- 3 Tilt brake
- 4 28 mm spigot

P.O. Yoke



- 1 Yoke adapter (2x)
- 2 Pan drive (blue)
- 3 Tilt drive (white)
- 4 28 mm spigot

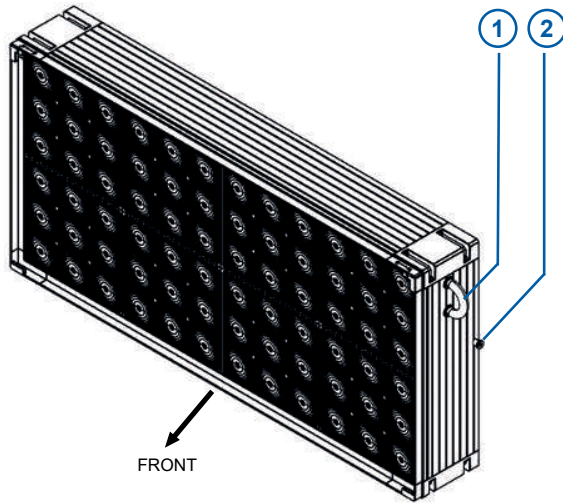
Multi Yoke



- 1 Locking pin (6x)
- 2 Yoke adapter (6x)
- 3 Tilt brake (2x)
- 4 Handle (4x)
- 5 Safety rope attachment
- 6 28 mm spigot

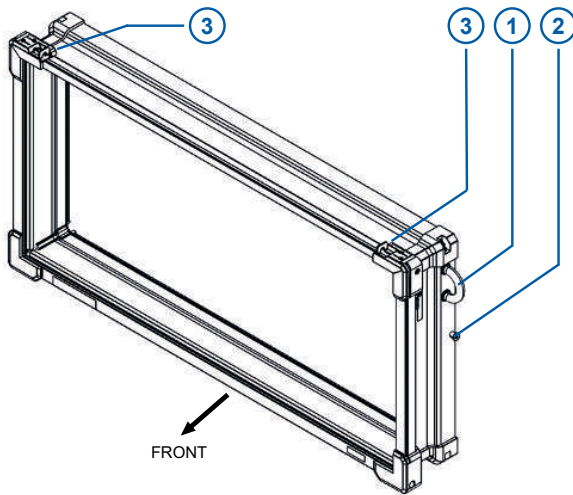
4.3 Optical Accessory Layout

HyPer Optic



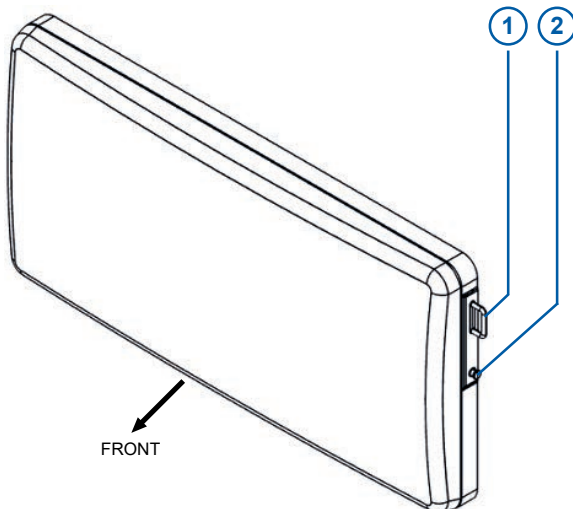
- 1 Safety rope attachment (2x)
- 2 Locking pin (2x)

S60 Adapter



- 1 Safety rope attachment (2x)
- 2 Locking pin (2x)
- 3 Top latches

X21 Dome



- 1 Safety rope attachment (2x)
- 2 Locking pin (2x)

5 Mounting and Assembly



WARNING

Risk of falling

Always attach an approved safety rope to secure the device and accessories against clamp or bracket failure when the device is mounted above floor.

The safety rope needs to be approved for at least 10 times the weight of the product including all accessories mounted to the product. The safety rope must comply with EN 60598-2-17 Section 17.6.6. It must be approved by an official body such as TÜV.

The rigging structure needs to be approved for the weight of all devices, equipment and cables installed on it.

Lead the safety rope through the safety rope attachment and the structure the device is mounted to.

Keep the safety rope as short as possible, but as long as necessary.

Block access below the work area and work from a stable platform whenever installing, servicing or moving the device or accessories.

5.1 To mount the spigot



WARNING

Falling System Parts by Loose Screw

Risk of injury and damage. Screw torque may decrease due to vibration or settling.

- ▶ Always tighten the screw to the specified torque.
- ▶ Use a torque wrench to regularly check whether the screw is still tightened to the specified torque,

The 28 mm spigot is not mounted on the yoke on delivery.

To mount the spigot you need:

- a 10 mm allen key (manual version)
- 8 mm allen key (p.o. version)
- a torque wrench with 10 mm or 8 mm allen socket

To Mount the Spigot (manual version)

- 1) Place the spigot on the central hole in the middle of the yoke.
- 2) Insert the allen screw with washer and spring washer.
- 3) Tighten it with a torque wrench to 37 ft-lbs / 50 Nm torque.

To Mount the Spigot (p.o. version)

- 1) Insert the allen screw with washer and spring washer in the spigot.
- 2) Place the spigot on the upper side of the gear in the middle of the spigot.
- 3) Tighten the allen screw with a torque wrench to 22 ft-lbs / 30 Nm torque.

5.2 Yoke Attachment and Detachment



WARNING

Risk of finger crushing

Wear suitable protective gloves when you attach or detach the yoke.

The yoke features a quick release system to attach or detach the yoke without a tool.

To attach the yoke:

- 1) Place the device on a smooth, stable surface.
 - 2) Align the yoke adapters of the yoke. The short side must face up.
 - 3) Position the yoke adapters under the two yoke brackets of the device.
 - 4) Slide both yoke adapters into the yoke brackets of the device until both latches engage.
- ⇒ When pushed in, the levers fold out and back again. The yoke is locked properly, when both levers are fully retracted and the red markings are not visible.

To detach the yoke:

- 1) Flip out one lever and press the yoke slightly downwards until the yoke adapter slides out of the yoke bracket.
- 2) Repeat the procedure for the other side and detach the yoke from the device.

5.3 Attachment and Detachment of Optical Accessories



WARNING

Risk of finger crushing

Wear suitable protective gloves when you attach or detach an optical accessory.

Optical accessories for the SkyPanel X are simply put on the front side guided by the aluminum front frame and held in place by two retaining clips.

The two retaining clips are located under the yoke brackets on the left and right side of the device.

To attach an optical accessory:

Pan and Tilt is blocked to avoid unintended movement of the device. The device is isolated from the power source.

- 1) Move the two retaining clips on the left and right side downwards.
 - 2) Place the optical accessory on the aluminum front frame.
 - 3) Move the two retaining clips on the left and right side upwards.
 - 4) Check the proper attachment of the optical accessory.
 - 5) Secure the optical accessory with a safety rope. Lead the safety rope through the safety rope attachment of the accessory and the upper handle of the device.
- ⇒ Connect the device to the power source.

To detach an optical accessory:

Pan and Tilt is blocked to avoid unintended movement of the device. The device is isolated from the power source.

- 1) Detach the safety rope.
 - 2) Move the two retaining clips on the left and right side downwards.
 - 3) Detach the optical accessory from the aluminum front frame.
 - 4) Move the two retaining clips on the left and right side upwards.
- ⇒ Connect the device to the power source.

5.4 Power Supply



WARNING

Intense light

Risk of eye injury. The high intensity light beam of the device can cause eye irritation or injury when not respecting the safety distance

- ▶ Always use an eye protection.
- ▶ Ensure that persons do not look at the light output aperture without eye protection when the device is connected to AC power or a battery pack. The device can light up suddenly.



NOTICE

Always connect the device directly to AC or battery power. Do not connect it to a dimmer system. Doing so will damage the device.

5.4.1 AC Power

The SkyPanel X is equipped with an auto-sensing switch-mode power supply that adapts automatically to 100 V - 240 V~, 50 / 60 Hz (nom.).

Make sure that no person stares at the light output aperture and the device is isolated from the control signal (DMX or Ethernet) before you connect it to AC power.

You can hard-wire the device to a building electrical installation. Power outlets or external power switches that supply the device with power must be located near the device and easily accessible so that it can easily be disconnected from power. Alternatively you can use a mains cable with inline mains switch and suitable mains plug.

The device is connected to the power source via a mains cable with a Neutrik® PowerCON® TRUE1 TOP cable connector. ARRI supplies various mains cables with PowerCON® TRUE1 TOP connectors as accessories.

The mains cable must meet the following specification:

Region	Cable Quality	Temperature range	Standards
EU, China	Rubber cord H07RN-F 3G1,5	min. -20° C to +85° C min. -4° F to +185° F	HAR, CCC
USA, Canada	Rubber cord SJ0(0)W 3x14 AWG 300 V, min. 15 A	min. -20° C to +90° C, min. -4° F to +194° F	UL, CSA
Japan	Flexible cord HVCTF 3X2.0 mm ² min. 300 V, 80 shore	min. +60° C (+140° F)	PSE, JET

The mains cable is available as an accessory. We recommend the use of original ARRI mains cables.

To Loop Through the Mains Power

The SkyPanel X is equipped with a mains voltage output for supplying other devices with mains voltage. The voltage at the mains output corresponds to the voltage at the mains input. The load on the mains voltage output must not exceed 15 A. Therefore, connect no more than

- 5 (five) SkyPanel X at 240 V~ mains voltage, or
- 3 (three) SkyPanel X at 120 V~ mains voltage

with each other.

The loop-through cable is available as an accessory. We recommend the use of original ARRI loop-through cables. The use of other loop-through cables is at your own risk.

To Insert and Remove the PowerCON® TRUE1 TOP Cable Connector

CAUTION! Please check the condition of your powerCON TRUE1 TOP connector system (cable plug & device socket) regularly for signs of heavy use and extreme wear. Improper use and excessive force can cause the coding lugs and guide grooves in the connector system to become so worn or damaged that it is possible to insert the cable connector in the wrong orientation. Worn or damaged cable connectors should be replaced immediately.

- 1) Line up the coding lugs of the connector and the guide grooves of the input socket. Insert the cable connector without force in the power input socket.
- 2) Turn the cable connector a full quarter-turn clockwise to lock the cable connector.
- 3) To unlock the cable connector, push the connector lock backwards and turn the cable connector counterclockwise.
- 4) Pull the cable connector out of the power input socket.

5.4.2 Battery Pack

The SkyPanel X can be used with a battery pack independent of AC power. The battery pack must meet the following specifications:

Output voltage	48 V - 52 V =
Permitted temperature range	-4° F to +113° F / -20° C to +45° C
Recommended minimum capacity	10 Ah
Connector type	3-pin XLR connector, male

The connection cable must be rated for a load of at least 20 A. Always observe the following specifications.



WARNING

Risk of electric shock, fire and damage.

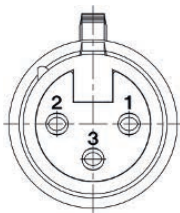
Only use connector cables which meet the specifications given above to connect a battery pack. Cables that are too long can cause device malfunction due to excessive voltage drop in the cable.

Battery Connector Cable Specification

The battery connector cable must meet the following specifications:

Wire diameter	13 AWG / 2,5 mm ²
Maximum length of connector cable	16 ft / 5 m
Connector IP rating when connected	IP 66

Battery Connector Pin Out



Pin	Description
1	- (negative)
2	+ (48 V - 52 V =)
3	Not connected



NOTICE

The pin out of the battery pack must correspond to the pin out shown above. Connectors with different pin out may cause damage to the device and the battery pack.

The SkyPanel X switches off below the minimum voltage of 44 V and above 55 V.

If the device switches off due to under voltage, you must disconnect the battery pack before connecting the device to an AC power source.

When using a battery pack, follow all safety instructions of the manufacturer. Only use battery packs that meet all the specifications listed. Use of unsuitable battery packs can damage both the device and the battery pack.

To Insert the 3 pin XLR connector

The mains switch of the battery pack, if present, must be turned off.

- 1) Insert the XLR connector into the battery pack connector without force. Note the position of the locking latch.
- 2) The connector must snap into place. Repair or replace the connector if it does not click into place.

To Remove the 3-pin XLR connector

The mains switch of the battery pack, if present, must be turned off.

- 1) Press the locking latch and pull the XLR connector out from the battery pack connector without force.
- 2) Repair or replace the connector if it can't be removed easily.

Tips for using battery packs

It is not possible to give a reliable indication of the operating time with a battery pack. The actual operating time depends strongly on age, state of charge, type of battery pack and brightness setting of the device.

If the battery pack does not have a switch for switching on and off, the brightness of the device should be set to zero before disconnecting the connector cable to the battery pack. This will reduce the load on the connectors and increase the lifetime of the connectors.

5.5 Control Network

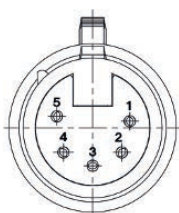
To control the SkyPanel X remotely you need to set up a wired or wireless data link.

The device supports several control methods:

- Wired DMX / RDM
- Wireless DMX / RDM
- Wired Ethernet (Art-Net, sACN, HTTP)
- Wireless Ethernet (Art-Net, sACN, HTTP)
- Bluetooth

5.5.1 Wired DMX / RDM

The SkyPanel X has 5-pin locking XLR sockets for DMX / RDM data input and output. The default pin-out of both sockets is:



- Pin 1 = Shield
- Pin 2 = DMX Data - (cold)
- Pin 3 = DMX Data + (hot)
- Pin 4 = DMX Data - (cold)
- Pin 5 = DMX Data + (hot)

Pins 4 and 5 are not used by the device but are bridged between input and output sockets. These pins can therefore be used as a pass-through connection for an additional data signal if required.

Do not overload the DMX data link. You must not connect more than 32 devices per DMX data link. Depending on the channel requirements the address space of one DMX data link (512 channels) may not be enough to control all devices of the installation. You may set more than one identical device to identical DMX addresses to obtain identical behavior. For independent control every device needs to be assigned an individual address range.

If the address space of one DMX data link is occupied and you need to control more SkyPanel X individually, you need to set up additional DMX data links.

Tips for a reliable DMX Data Transmission

Use shielded twisted-pair cable designed for RS-485 devices or CAT 6 network cables. Standard microphone cable cannot transmit control data reliably over long runs. 24 AWG cable is suitable for runs up to 300 meters (1000 ft.). Heavier gauge cable and/or an amplifier is recommended for longer runs.

To split the data link, use a DMX splitter. Use an RDM compatible splitter when you use the RDM functionality.

Install a DMX termination plug on the last device of every DMX data link. Terminate the DMX data link on both ends, when you use the RDM functionality. Ask your system specialist for details.

To Connect the DMX Data Link

Connect the DMX data output from the controller to the data input (male XLR) of the first device on the data link.

Run the data link from the data output (female XLR) to the data input of the next device.

Terminate the data link by connecting a 120 Ohm, 0.25 Watt resistor between the data 1 hot (+) and cold (-) conductors (and between data 2 hot and cold if used) at the data output of the last device on the link.

The SkyPanel X provides an internal DMX data link termination. Activate the termination (*Menu > DMX > Termination > On*) on the SkyPanel X.

5.5.2 Wireless DMX / RDM

The SkyPanel X is equipped with a wireless DMX transmitter supporting the LumenRadio CRMX and CRMX2 protocol.

If there is no DMX traffic received via a wired interface (DMX-512A, ArtNet or sACN) and wireless DMX is activated via the menu, the device can be linked to a wireless DMX transmitter via an RDM discovery command. Once linked successfully, the device processes wireless DMX data and respond to RDM requests only via the wireless link.

The DATA LED on the rear side of the device fades from blue to green followed by a 2 second fade from green to blue as soon as CRMX is active AND CRMX data is received and processed by the device.

If the CRMX Data State is set to *Off*, no wireless DMX and no wireless RDM traffic will be processed.

To Link and Unlink a Wireless DMX Transmitter

Please find more information about linking and unlinking the SkyPanel X with a CRMX transmitter in the SkyPanel X user manual.

5.5.3 Wired Ethernet

The SkyPanel X supports Art-Net, sACN and HTTP. Art-Net and sACN are network protocols to control devices.

Here is a brief explanation of some basic terms being used by Art-Net. For more detailed information, please visit the web site of the Art-Net developers: www.artisticlicence.com.

The SkyPanel X is capable of processing Art-Net for up to ten universes with one sender and three universes with two senders.

General rules of thumb:

- Use a maximum of 4 universes of Art-Net Art-DMX unless you really have to, or
- all universes of sACN.

Please find more information about sACN in the standard ANSI E1.31. Please obey all information given there to set up a proper network.

Tips for a reliable Ethernet Data Transmission

In lighting technology, twisted pair Ethernet is primarily used to set up networks. The network is built using active or passive hubs and switches. Please note:

- Always follow the 5-4-3 rule. The rule states that the network between any two nodes may consist of a maximum of five segments, may be connected via a maximum of four repeaters and only three of these segments may contain end devices.
- Only use CAT 6 quality network cables or higher. The maximum cable length is 100 m.
- Indoors, network cables with standard RJ45 connectors can be used to set up the data link. Always use network cables with Neutrik NE8MC6-MO cable connectors or equivalent to set up the data link outdoors. When plugged in, these connectors comply with protection class IP 65.
- Use only unmanaged switches to minimize signal delay.

Ask your system specialist for details.

To Connect the Ethernet Data Link

To connect the Ethernet data link, please follow the common rules for setting up an Ethernet network.

The SkyPanel X can be daisy chained. It acts as a switch.

5.5.4 Wireless Ethernet

The SkyPanel X can be implemented in a wireless Ethernet network using a standard USB-C wireless adapter.

Please note that a device with an USB-C wireless adapter does not fulfill protection class IP 65 any more.

5.5.5 Bluetooth

The SkyPanel X can be controlled via Bluetooth using the internal Bluetooth 5.0 adapter.

Please find more information about controlling the SkyPanel X via Bluetooth in the user manual.

6 Basic Operation

6.1 Pan and Tilt

Loose the mounting screw of the tripod or the appropriate fixing screw of the mounting clamp to pan the device. Tighten the screw to avoid unintended movement.

Hold the focus handle (4) and loose the tilt lock lever. Tilt the device to the desired angle.

CAUTION! Tighten the tilt lock lever to avoid unintended movement.

6.2 Interfaces and Control Data



CAUTION

Ingress of moisture to the device through connectors

Risk of damage.

- ▶ Always seal unused connectors with a protective cap to prevent ingress of moisture.
- ▶ Only use cable connectors with protection class IP 65.

DMX / RDM Interface

The device is equipped with a wired and a wireless DMX / RDM interface. The wired interface has locking 5-pin XLR connectors for DMX / RDM data input, throughput and output.

The wireless DMX / RDM interface is compatible to the LumenRadio CRMX protocol. Please find more detailed information how to establish a DMX / RDM data-link in chapter LINK.

The antenna for the wireless DMX / RDM interface is mounted on the right side of the device.

Ethernet Interface

The device is equipped with two RJ45 Ethernet connectors. The Ethernet signal can be daisy chained as the device acts like a switch in an Ethernet network. The interface can be used for control, uploading new firmware, setting parameters and service purpose using the ARRI lighting service manager ALSM.

Download the ALSM free of charge from the ARRI web site www.arri.com/lightingsoftware.

Please find more detailed information to work with the ALSM in the user manual of the software. The manual is included in the download package.

USB Port

The SkyPanel X is equipped with a USB-C port.

The USB-C port is located on the backside of the device in the connector panel. It is protected with a screw-on cap. The USB-C port can be used to connect:

- A USB flash disk for data transfer
- A WLAN dongle for wireless control via Art-Net, sACN or the ARRI web portal
- Optical accessories which need data or power supply
- Service tools.

Bluetooth

The SkyPanel X supports the LumenRadio Bluetooth Smart (BLE) Technology.

You can control the device via the ARRI Bluetooth lighting control app. The app is available free of charge in the App store and the Play store.

Please find more information about the Bluetooth app in the SkyPanel X user manual.

6.3 ALL-WEATHER Control Panel

The optional control panel for the SkyPanel X can be used directly at the device or via a connecting cable remote from the device. When used directly on the device, the control panel is held magnetically in the recess at the rear of the housing (see figure below). The control panel automatically connects to the device when it is inserted into the recess.



CAUTION

Strong Neodym Magnet

Risk of injuries. Neodym Magnets are extremely powerful.



- ▶ Keep the magnet in a safe distance to devices and objects that can be damaged.
- ▶ Fingers, skin and other parts of the body can be trapped between two magnets. This can cause injuries up to broken bones.



- ▶ Magnets can affect the operation of pacemakers or other implanted medical devices. Defibrillators can be affected.

To Attach and Detach the Control Panel

The control panel may be detached and attached with the device powered. The last setting of the device is retained when the control panel is detached.

To attach the control panel:

- 1) Push the control panel diagonally to the left into the recess.
- 2) Press the right side of the panel into the recess. Push it to the right until it locks in place.
- 3) The control panel is magnetically fixed in the recess. When the device is powered while you attach the control panel, it is ready for operation after a short time.

To detach the control panel:

- 1) Push the control panel slightly to the left.
- 2) Lift the control panel out of the recess on the right.
- 3) Pull the control panel to the right out of the recess.

To Connect and Disconnect the Control Panel Cable

- Plug the 4-pin Lemo connector of the connector cable into the connector (7) of the device and the control panel. The connector locks automatically.
- Pull back the ring of the Lemo connector to unlock the connector and pull out the connector.



NOTICE

The control panel can be used directly at the device or via a connecting cable remote from the device. When two control panels are used, the control panel on the connecting cable has priority.

6.4 Switching On and Off

The SkyPanel X has no mains switch. After connecting the device to the power source or switching it on with a mains switch the device initializes and is ready for operation.

The device will operate with the settings made on the control panel or received by DMX / RDM, Art-Net or sACN.

Please observe the information in the following section.

7 Menu Operation

Function and Behavior of the Control Elements



- 1 Encoder
- 2 Mode button
- 3 Menu button
- 4 User button
- 5 Quick / User buttons

Element	Input	Result
Encoder	Turn	Change the value of the selected parameter. Scroll through a list or icons on the display.
	Single press	<ul style="list-style-type: none"> • Select element, confirm or change value. • Jump one level up. <p>When Intensity is selected: Toggle between recent intensity and blackout.</p>
	Double press	No function. Extended Color Control (ECC): Set the selected parameter on its default value.
	Triple press	No function. Extended Color Control (ECC): Set all parameters to their default values.
Mode	Short press	Open the Mode menu.
	Long press	Save the recent settings as a favorite.
Menu	Short press	Open the Menu .
	Long press	Lock and unlock (> 3 seconds) control panel.
User	Short press	Open the User menu.
	Long press	Open programmer view of user buttons.
Quick Buttons	Short press	Calls up the assigned function of the upper row.
	Long press	Calls up the assigned function of the lower row.

Layout of the Display



- 1 Status bar
- 2 Beam parameters
- 3 Quick button labels

The **status bar** (1) gives information about the mode and status messages (symbols and text).

The area **beam parameters** (2) contains information about the recent lighting parameters (e.g. brightness, color temperature, lighting effects).

The area **quick / user button labels** (3) shows the recent function of the corresponding quick / user button. The upper row shows the function linked to a short press, while the lower row shows the function linked to a long press of the of the quick / user button.

8 Maintenance, Cleaning and Repair

8.1 Maintenance



WARNING

Read the safety information before maintaining the device.



WARNING

Intense Light

Risk of injury. The device can light up suddenly when connected to power.

- ▶ Disconnect the device from mains power before handling.
- ▶ Do not stare into the light output aperture. Wear safety glasses.



WARNING

Hot surface

Risk of burning. The device becomes hot during operation.

- ▶ Disconnect the device from mains power before handling.
- ▶ Let the device cool down completely before handling.



WARNING

High Voltage

Risk of injury. The device contains components that are accessible and live at high voltage while the device is connected to power.

- ▶ Disconnect the device from mains power before handling.
- ▶ Some components can remain under tension for 30 min. after power is disconnected.
- ▶ Only a certified ARRI service center is permitted to open the device.



NOTICE

Excessive dust, smoke fluid and particle buildup degrades performance. It causes overheating and will damage the device. Damage caused by inadequate cleaning or maintenance is not covered by the product warranty.

You can carry out external cleaning as described in this section. Follow the warnings and instructions provided. Any service operation not described in this operating manual or in the user manual must be referred to a certified ARRI service center.

Clean the device periodically. You may also upload firmware to the device via the Ethernet connector or the USB port using firmware and instructions from ARRI. All other service operations on the device must be carried out by a certified ARRI service center.

The global ARRI service organization and its approved agents can provide on-site service and maintenance. They give you access to ARRI's expertise and product knowledge in a partnership that will ensure the highest level of performance throughout the product's lifetime. Please contact ARRI for details.

ARRI applies the strictest possible calibration procedures. ARRI uses the best quality materials available to ensure optimum performance and the longest possible component lifetimes. However, optical components are subject to wear and tear over the life of the product. They result in gradual changes in color over many thousands of hours of use. The extent of wear and tear depends heavily on operating conditions and environment. It is impossible to specify precisely whether and to what extent performance will be affected.

However, you may eventually need to replace optical components if their characteristics are affected by wear and tear after an extended period of use and if you require luminaires to perform within very precise optical and color parameters.

8.2 Cleaning

Regular cleaning is very important for device life and performance. Buildup of dust, dirt, smoke particles, fog fluid residues, etc. degrades the light output and cooling ability.

Cleaning schedules vary greatly. They depend on the operating environment. It is therefore impossible to specify precise cleaning intervals for the device.

Cooling fans suck in airborne dust and smoke particles.

Use in aggressive operation environment (e.g. at the seaside, on ships, near salt water, on industrial plants) may cause corrosion and degrade optical components if not kept clean.

In extreme cases the device needs cleaning after surprisingly few hours of operation.

Environmental factors that may require frequent cleaning include:

- Use of smoke or fog machines.
- High airflow rates (near air conditioning vents, for example).
- Airborne dust (from stage effects, building structures and fittings or the natural environment at outdoor locations, for example).

If one or more of these factors is present, inspect the device within its first few hours of operation to see whether cleaning is necessary. Check again at frequent intervals. This procedure will allow you to assess cleaning requirements in your particular situation. If in doubt, consult a certified ARRI service center about a suitable maintenance schedule.

ARRI IP 66 rated devices are designed to resist water and moisture in environments with widely varying climate, temperature and humidity conditions. If devices are not managed correctly during installation and service, water and moisture can enter. This causes humidity and condensation inside the device.

Follow the precautions below to avoid this problem.

General

Air, and even water, can be sucked through connectors into the device. A cracked or porous protective cap or connected cable can allow water into the device. Replace any protective cap or cable that is not in perfect condition. Make sure that connected cables from the device open into dry areas (e.g. junction boxes in dry locations).

Cleaning

Do not clean the device with high-pressure water jets. Do not immerse the device. Do not use cleaning agents that contain solvents, abrasives or caustic agents for cleaning, as they can cause surface damage to the device. The aluminum housing and front glass can be cleaned with mild detergents such as those for washing cars.

To clean the housing and front glass:

1. Visually check that the silicone seals and the protective caps for the data and power connectors are in good condition and in place. If any seal or cap shows signs of damage, cracking or loss of water resistance, stop cleaning the device and contact a certified ARRI service center for replacement.
2. If seals are in good condition, rinse off loose dirt with a hose or low-pressure water spray.
3. Wash the aluminum housing and front glass using warm water with a little mild detergent and a soft brush or sponge. Do not use abrasive cleaners.
4. Rinse with clean water and wipe dry.

Climate Membrane

A climate membrane on the back of the SkyPanel X equalizes pressure by allowing air to pass through it when the device heats up and cools down. At the same time it acts as a barrier to water in liquid form. The expulsion of warm air (with a slightly higher water vapor content) and intake of cool air (with a slightly lower water vapor content) prevents humidity buildup over time. To do this, the membrane must work correctly and the device must be sealed correctly.

Climate membranes have a limited service life. They become blocked over time as the micropores in the membrane fill with particles. When a membrane becomes blocked, excess pressure can damage seals or cause air and even water to be sucked into the device along cables or protective caps. A blocked membrane cannot be cleaned and must be replaced if it shows any signs of contamination or is not in perfect condition.

For maximum device service life, the climate membrane must be replaced after an extended period of use. Intervals for membrane replacement depend on the installation environment. Please consult your ARRI dealer about a suitable replacement schedule. To ensure optimum humidity control, membrane replacement must be carried out by a certified ARRI service center.

8.3 Tilt Brake



CAUTION

Unintentional or Unexpected Movement

Risk of crushing body parts due to failing tilt brake.

- ▶ The tilt brake is a wearing part. Check the correct function of the tilt brake regularly.
- ▶ Never use a device with a defective tilt brake.

If the tilt brake is defective:

- Replace the yoke with a yoke that has a working tilt brake.
- Have the tilt brake repaired by a certified ARRI service center.

8.4 Repair



WARNING

Repairs carried out by untrained persons

Risk of electric shock and fire hazard caused by short circuit.

- ▶ Do not try to repair the device yourself. Repairs may only be carried out by a certified ARRI service center.

The SkyPanel X is an IP 66 rated device. It is sealed and equipped with a climate membrane for pressure equalization.

The repair of an IP 66 rated device must be carried out according to certain guidelines in order to maintain or restore IP 66 protection. Special tools are required for the repair and the subsequent leak test. Do not attempt repairs unless you have current ARRI service documentation or the special tools.

Damage caused by improper repairs is excluded from the warranty.

Only carry out the maintenance and repair work described in this manual.

For any further repairs and maintenance work on the device, please contact a certified ARRI service center or service-lighting@arri.de.

9 Transportation, Storage and Disposal



NOTICE

Improper Packing and Transportation of the Device

Risk of damage to the device.

- ▶ Follow the specified environmental conditions.
- ▶ Only transport the device and accessories in suitable cases.
- ▶ Follow the instructions for transport and storage in this section.

Please take note of the following guidelines.

Transportation Guidelines:

- Remove all accessories and cables from the device.
- Always attach the protective caps.
- Always transport the device in a suitable case.
- Do not subject the device to severe shocks.

Storage Guidelines:

- Disconnect all cables and power sources from the device.
- Always store the device in a suitable case.
- Do not store the device outside of the specified ambient temperature range.
- Do not store the device in places where it may be subject to extreme temperatures, direct sunlight, high humidity, severe vibration, dust or strong magnetic fields.

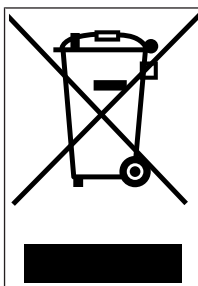
Disposal



NOTICE

You can return the product to the manufacturer Arnold & Richter Cine Technik GmbH & Co. Betriebs KG for disposal.

When you dispose third party accessories, please observe the instructions of the relevant manufacturer.



This product falls within the scope of Directive 2012/19 / EU OF THE EUROPEAN PARLIAMENT AND OF THE COUNCIL of June 4, 2012 on waste electrical and electronic equipment (WEEE II).

Accordingly, this product must not be disposed of with household waste. There are the respective country-specific disposal rules that must be observed.

10 ARRI Service Contacts

Please see the current list of service partners at [service contacts](#)



Arnold & Richter Cine Technik GmbH & Co.
Betriebs KG
Global Application & Services
Flintsbacher Straße 1-5
83098 Brannenburg
Germany
+49 89 20 60 46 61 1
Business Hours
Mo. - Fr. 08:00 - 16: 00 (CET)
service-lighting@arri.de

ARRI CT Limited/ London
2 Highbridge, Oxford Road
UB8 1LX Uxbridge
United Kingdom
+44 1895 457 000
Business Hours
Mo. - Th. 09:00 am - 05:30 pm (GMT)
Fr. 09:00 am - 05:00 pm (GMT)
service@arri-ct.com

ARRI Americas Inc. / West Coast
3700 Vanowen Street
Burbank, CA 91505
USA
+1 818 841 7070
Business Hours
Mo. - Fr. 09:00 am - 05:00 pm (PT)
service-lighting@arri.com

ARRI Americas Inc. / East Coast
617 Route 303
Blauvelt, NY 10913
USA
+1 845 353 1400
Business Hours
Mo. - Fr. 08:30 am - 05:30 pm (EST)
service-lighting@arri.com

ARRI Canada Limited
Toronto
Canada
+1 4162553335
Business Hours
Mo. - Fr. 08:30 am - 05:00 pm (EST)
service-lighting@arri.com

ARRI Australia Pty Ltd
Suite 2, Building B, 12 Julius Avenue
North Ryde NSW 2113
Australia
+61 2 9855 4305
Business Hours
Mo. - Fr. 08:00 - 17:00 (AEST)
service@arri.com.au

ARRI Asia Pte. Ltd.
Service
164 Kallang Way, #03-01
349248 Singapore
Republic of Singapore
+65 6230 9488
Business Hours
Mo. - Fr. 09:00 - 18:00 (CST)
service@arri.asia

ARRI China (Beijing) Co. Ltd.
Chaowai SOHO Tower C, 6/F, 0628/0656,
Chaowai Dajie Yi 6
Beijing
China
+86 105 900 968 0
Business Hours
Mo. - Fr. 09:00 - 18:00 (CST)
service@arri.cn

ARRI Hong Kong Limited
41/F One Kowloon, 1 Wang Yuen Street
Kowloon Bay
Hong Kong
P.R. China
+852 2537 4266
Business Hours
Mo. - Fr. 09:00 - 18:00 (HKT)
servicehk@arri.asia

ARRI Brasil Ltda
Sales & Service
Rua Clodomiro Amazonas, 1158 - Lojas 45 e 46,
Nova Conceição
São Paulo, SP 04537-901
Brasil
+55 1150419450
Business Hours
Mo. - Fr. 09:00 - 17:30 (BRT)
arribrasil@arri.com

SKYPANEL[®]  **X**