

Unique LED lights with true Fresnel performance

The ARRI L-Series is a wide-ranging family of LED Fresnels that provides today's gaffers and lighting designers with the versatility and quality they require in digital lighting fixtures. L-Series fixtures were the first LED lights to truly incorporate Fresnel characteristics such as continuous focusability from spot to flood and a smooth, homogenous light field. Encompassing multiple power classes, the L-Series offers solutions for almost any application, from large television studios to small interview setups and everything in-between.

The L5 is the perfect companion for more mobile lighting and ideal for cramped location shoots and interview setups. Its compact size and low weight allows the L5 to be rigged in tight places and hung from low ceilings. The L5 is as bright as a 450 W tungsten Fresnel, but only consumes 115 W. When compared to the L7, the L5 is half the weight and size.

The L5 as well as L7 and L10 take full advantage of LED technology by allowing complete control over light intensity and color. At the heart of the L-Series are a few core concepts: tuneability, color fidelity, high build quality and ease of use. Three simple knobs permit the brightness, color temperature from 2,800 K to 10,000 K and green/magenta point to be fine-tuned, while a focus knob on the side of each fixture allows for smooth adjustment of the beam spread, just like conventional sources. In color mode the calibrated light engine of L5 enables to set hue and saturation values, creating a huge range of vivid colors.

In conjunction with Stellar, ARRI's lighting control app, the L5 brings even more features – including more than predefined gels (Lee and Rosco) and light sources known from SkyPanel.

Main Features

- True Fresnel lens light characteristics
- Vibrant color selection (RGB+W color gamut)
- Hue and saturation control
- High color rendering
- On-board battery connection
- RDM implementation
- Fan mode selection

Apps

- ARRI Stellar
- ARRI Photometrics

Available Accessories

- 8-leaf barndoor
- Chimera Lightbank
- 4-leaf barndoor
- Softbox adapter
- Filter frame
- Cables
- Snoot
- Safety cable

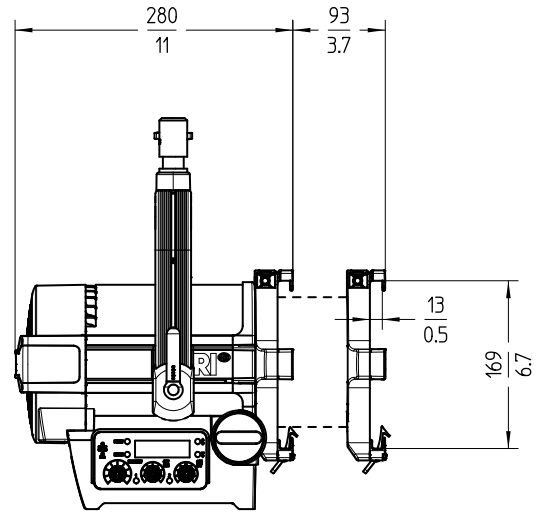
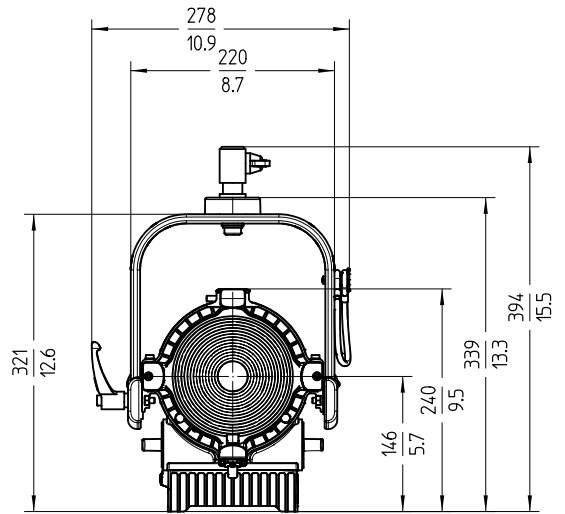
Models

Version	Mounting	Color
L5-C	Manual	blue/silver
L5-C	Manual	black
L5-C	Pole Operated	blue/silver
L5-C	Pole Operated	black
All versions include	on-board control panel 5-pin DMX on and thru connector 4-pin battery connector (23 - 36 V~) 16 mm / 28 mm Combo pin powerCON TRUE1 TOP mains cable	
Manual - Hanging	1.5 m (5 ft) cable with bare ends	
Manual - Stand-Mount	3 m (10 ft) cable with Schuko connector and line switch or 7 m (23 ft) cable with Edison connector and line switch	
Pole Operated	1.5 m (5 ft) cable with bare ends, pole operation for pan, tilt and focus	

Further versions available.

Specifications L5-C

Type of Lamphead	LED Fresnel
Optical System	focusable Fresnel
Light Aperture	137 mm / 5"
Beam Angle	14° to 50° half peak angle
Lamp Type	RGBW LED light engine
White Light	2,800 K to 10,000 K continuously variable correlated color temperature
Colored Light	full RBG+W color gamut with hue and saturation control
Green-Magenta Adjustment	continuously adjustable (full minusgreen to full plusgreen)
Color Rendition	CRI average > 94 TLCI average > 90
Color Temperature Tolerance	+/- 100 K (nominal), +/- 1/8 green-magenta (nominal)
Dimming	0 to 100 % continuous
Light Output in Battery Mode	100 % of total output
Mechanical	
Versions	manual, pole operated
Handling	adjustable sliding stirrup high-strength tilt lock pole operation option (pan, tilt, focus)
Mounting	16 mm / 28 mm Combo pin
Housing Color	blue/silver, black
Tilt Angle	+/- 90°
Weight - Manual	5,0 kg / 11.1 lbs
Weight - Pole operated	6,4 kg / 14.2 lbs
Control Options	
Control	on-board controller, 5-Pin DMX in & through, Mini-USB
Remote Device Management (RDM)	DMX setup, hour counter, standard & manufacturer RDM commands
Software Interface - Mini-USB	DMX setup, fixture status, firmware upgrade through PC or Mac
Wireless Interface	via SkyLink Receiver
Electrical	
Power Supply Range	100 - 240 V~, 50 - 60 Hz
Power Consumption	115 W maximum
Lamphead Power Connection	powerCON TRUE1 TOP
Power Switch	on/off switch on powerCON TRUE1 TOP cable
Battery Connector	male 4-Pin XLR (Pin 1: negative / Pin 4: positive)
Battery DC Voltage Output	23 to 36 V...
Protection Class / IP Rating	I / IP20
Ambient Temperature Operation	-20 to +45° C (-4 to +113° F)
Estimated LED Lifetime (L70)	50,000 hours
Estimated Color Shift Over Lifetime (CCT)	+/- 5 %
Certifications & Declarations of Conformity	CE, CB, ENEC, cNRTLus, FCC, PSE



All specifications are nominal / typical values.

Download ARRI Photometrics from the App Store and Google Play to quickly reference the photometric characteristics of all of the ARRI light fixtures.



Photometric Data

