

S30-C

SkyPanel is a compact, ultra-bright and high-quality LED soft light that sets a new standard for the industry. With a design focused on form, color, beam field and output, SkyPanel represents the culmination of more than a decade of research and development of LED technology at ARRI.

SkyPanel is available in several sizes: the S30, S60, S120, and S360. The S60 is a mid-range model, featuring a light aperture of 645 x 300 mm and accommodating the vast majority of applications. The S120 is twice as long as the S60, but weighs nearly the same. Its larger light aperture makes a great soft light even better. The S30 is a smaller, more portable version; half the length of the S60, it is perfect for on-the-go mobile applications. The S360 is the largest and brightest SkyPanel with four times the output of the S60 and almost six times the aperture size. The S360 is perfect for lighting large areas with tuneable, soft light. S30 and S60 models are available in fully color tuneable and remote phosphor versions.



Incorporating features of ARRI's successful L-Series LED Fresnels, SkyPanel is one of the most versatile soft lights on the market, as well as one of the brightest. Like the L-Series, SkyPanel 'C' (Color) versions are fully tuneable; correlated color temperature is adjustable between 2,800 K and 10,000 K, with excellent color rendition over the entire range. Full plus and minus green correction can be achieved with the simple turn of a knob, and in addition to CCT control, vivid color selection and saturation adjustment is also possible.

Unlike other tuneable fixtures, SkyPanel makes no sacrifice when it comes to light output. SkyPanel puts out a tremendous amount of light, in a soft and uniform beam field. Brighter than a 1 kW tungsten soft light or a 3 kW tungsten space light, the SkyPanel S30 has more than enough light for most applications. At the same time, the lamphead is able to perform beautifully at lower light levels. This range of illumination and color gives users an unprecedented amount of control.

Made in Germany to the high standards for which all ARRI products are known, SkyPanel is built to last – constructed from resilient materials and assembled by hand with great care. Other features include an on-board battery input for mobile applications, LAN port for network connectivity, USB-A port for firmware updates via thumb drive, and many more.

Photometric Data

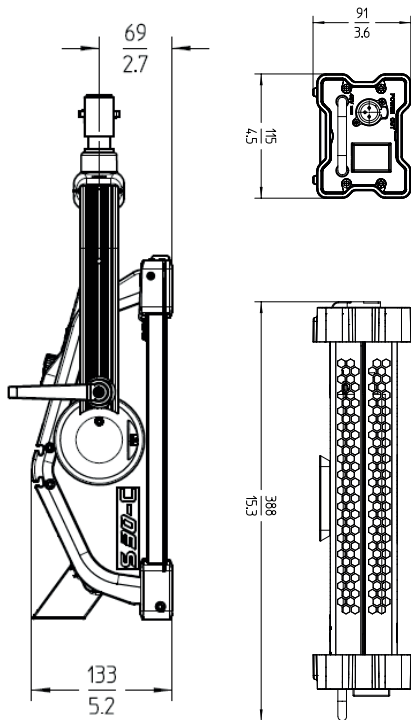
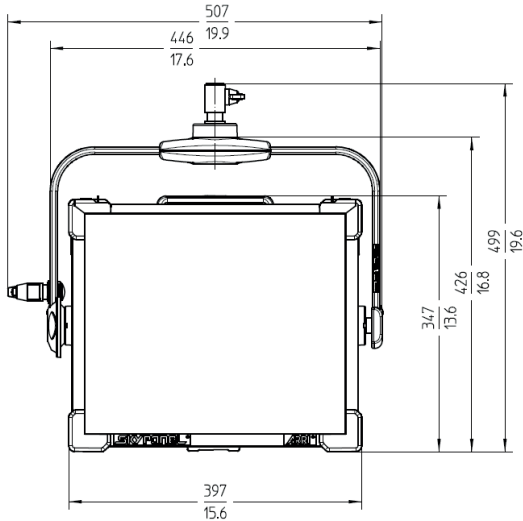
	3 m / 9.8 ft		5 m / 16.4 ft		7 m / 23 ft		9 m / 29.5 ft	
S30-C	3,200 K	5,600 K	3,200 K	5,600 K	3,200 K	5,600 K	3,200 K	5,600 K
S30-C with Standard Diffusion	614 lx	601 lx	221 lx	216 lx	113 lx	110 lx	68 lx	67 lx
	57 fc	56 fc	21 fc	20 fc	10 fc	10 fc	6 fc	6 fc
S30-C with Lite Diffusion	663 lx	647 lx	239 lx	233 lx	122 lx	119 lx	74 lx	72 lx
	62 fc	60 fc	22 fc	22 fc	11 fc	11 fc	7 fc	7 fc
S30-C with Heavy Diffusion	508 lx	494 lx	183 lx	178 lx	93 lx	91 lx	56 lx	55 lx
	47 fc	46 fc	17 fc	17 fc	9 fc	8 fc	5 fc	5 fc
S30-C with Intensifier	886 lx	908 lx	319 lx	327 lx	163 lx	167 lx	98 lx	101 lx
	82 fc	84 fc	30 fc	30 fc	15 fc	16 fc	9 fc	9 fc

Order No. | Description

L0.0007711	S30-C, Manual, Blue/Silver, 3 m DC Cable, S30 PSU with Rail Mount Adapter, Standard Diffusion Panel, powerCON Edison cable
L0.0007712	S30-C, Manual, Blue/Silver, 3 m DC Cable, S30 PSU with Rail Mount Adapter, Standard Diffusion Panel, powerCON Schuko cable
L0.0007714	S30-C, Pole Op, Blue/Silver, 1 m DC Cable, S30 PSU with Rail Mount Adapter, Standard Diffusion Panel, powerCON Bare Ends
L0.0007716	S30-C, Pole Op, Black, 1 m DC Cable, S30 PSU with Rail Mount Adapter, Standard Diffusion Panel, powerCON Bare Ends

SKYPANEL
SOFT LIGHTING | REDEFINED

Technical Specifications



Lamphead	
Optical System	Soft Diffusion Panel
Light Aperture	355 x 300 mm / 14 x 11.8"
Beam Angle	115° (Half Peak Angle)
Weight	Manual Version: 7.4 kg / 16.3 lbs Pole Op Version: 9 kg / 20 lbs
Handling	Aluminum Yoke, High Strength Tilt Lock, Pole Operation Option (Pan & Tilt)
Mounting	16 mm / 28 mm Combo Pin (Baby 5/8" / Junior 1-1/8" Combo Pin)
Tilt Angle	+/- 90°
Lamphead Voltage Input	48 V DC
Power Consumption	200 W Nominal, 220 W Maximum
Lamphead Power Connection	Male 3-Pin XLR - 15 Amp (Pin 1: Negative / Pin 2: Positive)
Battery Connector	Male 4-Pin XLR - 10 Amp (Pin 1: Negative / Pin 4: Positive)
Battery DC Voltage Range	23 to 36 V DC
Battery Mode Light Output	100 % of total output
White Light	2,800 K to 10,000 K continuously variable correlated color temperature
Colored Light	Full RGB+W color gamut with Hue and Saturation control
Color Temperature Tolerance	+/- 100 K (nominal), +/- 1/8 Green-Magenta (nominal)
Color Rendition	CRI Average > 95 TLCI Average > 91
Green-Magenta Adjustment	continuously adjustable (Full Minusgreen to Full Plusgreen)
Dimming	0 to 100 % continuous
Control	On-Board Controller, 5-Pin DMX In and Through, EtherCon LAN network connectivity, USB-A, Art-Net
Remote Device Management (RDM)	DMX Setup, Hour Counter and Standard RDM commands
Software Interface	Ethernet: DMX Setup, Fixture Status and Firmware Upgrade through PC, Mac USB-A: Software Upgrade via flash drive
Housing Color	Blue/Silver, Black
Ambient Temperature Operation	-20 to +45° C (-4 to +113° F)
Protection Class / IP Rating	III / IP20
Estimated LED Lifetime (L70)	50,000 hours
Estimated Color Shift Over Lifetime (CCT)	+/- 5 %
Certifications	CE, CB, ENEC, cNRTLus, FCC, PSE

Power Supply Unit	
Power Supply Input Range	110 to 240 V ~, 50/60 Hz
Power Supply Output Range	48 V DC
Power Input Connection	powerCON TRUE1 (Bare Ends / Schuko / Edison cables available)
Power Output Connection	Female 3-Pin XLR - 10 Amp (Pin 1: Negative / Pin 2: Positive) powerCON TRUE1 (mains power through)
Weight	2.1 kg / 4.6 lbs
Dimensions	388 x 115 x 91 mm / 15.3 x 4.5 x 3.6"
Control	On-Board On/Off Switch
Mounting	SkyPanel PSU Super Clamp Adapter / Rail Mount Adapter
Certifications	CE, CB, ENEC, cNRTLus, FCC

All specifications are nominal / typical values.

SKYPANEL
SOFT LIGHTING | REDEFINED