

# MASTER ANAMORPHIC LENSES

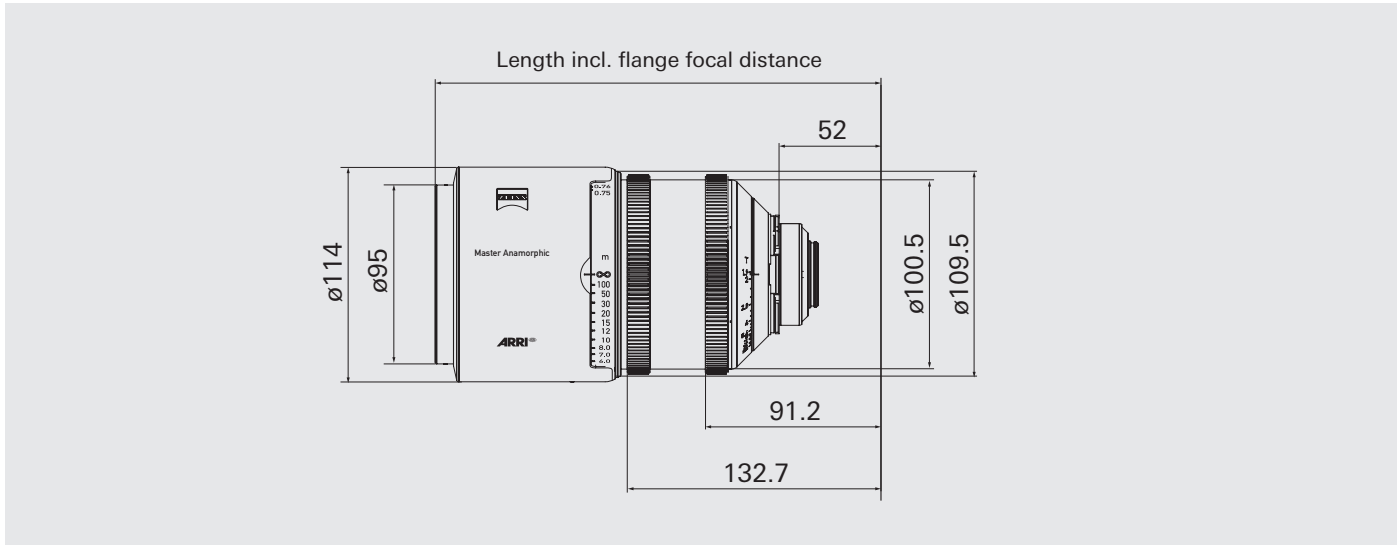


## Main Features

- Low distortion for uncompromised Cinemascope
- Cinematic bokeh with high contrast and nice focus fall-off
- Beautiful skin tones and precise color rendition
- Characteristic out-of-focus highlights
- Large image field for full freedom in composition
- Large aperture of T1.9 for shallow depth of field
- Super color matched to other ARRI/ZEISS primes and ARRI/FUJINON zooms
- ARRI Lens Data System (LDS) for lens metadata



# Master Anamorphic Lenses



	MA 35mm	MA 40mm	MA 50mm	MA 60mm	MA 75mm	MA 100mm	MA 135mm
Aperture	T1.9 - T22	T1.9 - T22	T1.9 - T22	T1.9 - T22	T1.9 - T22	T1.9 - T22	T1.9 - T22
Close Focus <sup>(2)</sup>	0.75 m / 2'6"	0.70 m / 2'4"	0.75 m / 2'6"	0.90 m / 3'	0.90 m / 3'	0.95 m / 3'1"	1.20 m / 3'11"
Length <sup>(4)</sup>	183 mm / 7.2"	183 mm / 7.2"	183 mm / 7.2"	183 mm / 7.2"	183 mm / 7.2"	210 mm / 8.1"	226 mm / 9.1"
Length including flange focal distance <sup>(5)</sup>	235 mm / 9.3"	235 mm / 9.3"	235 mm / 9.3"	235 mm / 9.3"	235 mm / 9.3"	262 mm / 10.2"	278 mm / 10.7"
Front Diameter <sup>(6)</sup>	95 mm / 3.7"	95 mm / 3.7"	95 mm / 3.7"	95 mm / 3.7"	95 mm / 3.7"	95 mm / 3.7"	95 mm / 3.7"
Weight (kg)	2,6	2,7	2,6	2,7	2,6	3,1	3,8
Weight (lbs)	5,7	6	5,7	6	5,7	6,8	8,4
Angle of View H - V Super 35 Cinemascope <sup>(8)</sup>	65° - 30°	59° - 26°	48° - 21°	41° - 18°	33° - 14°	25° - 11°	19° - 8°
Image Diameter <sup>(9)</sup>	29.26 mm	29.26 mm	29.26 mm	29.26 mm	29.26 mm	29.26 mm	29.26 mm

## ARRI Lenses Technical Legend

<sup>(2)</sup> **Close Focus**

Close focus is measured from the film/sensor plane.

<sup>(4)</sup> **Length**

Length is measured from the lens mount to the front of the lens housing.

<sup>(5)</sup> **Length including flange focal distance**

Length is measured from the image to the front of the lens housing.

<sup>(6)</sup> **Front Diameter**

Diameter of the lens/matte box interface.

<sup>(8)</sup> **Angle of View H, V (Super 35 Cinemascope)**

Horizontal (H) and vertical (V) angles of view for a Super 35 Cinemascope camera aperture (dimensions 22.5 mm x 18.7 mm / 0.8858" x 0.7362").

<sup>(9)</sup> **Image Diameter**

The image diameter (ID) is the diameter of the image circle needed for the respective format. These lenses are designed for the largest ID given here.

All data subject to change without notice.