

# Universal Motor Controller UMC-3\*/3A - previous generation



CONFIGURATION OVERVIEW – 5.3.0 / 2012.12

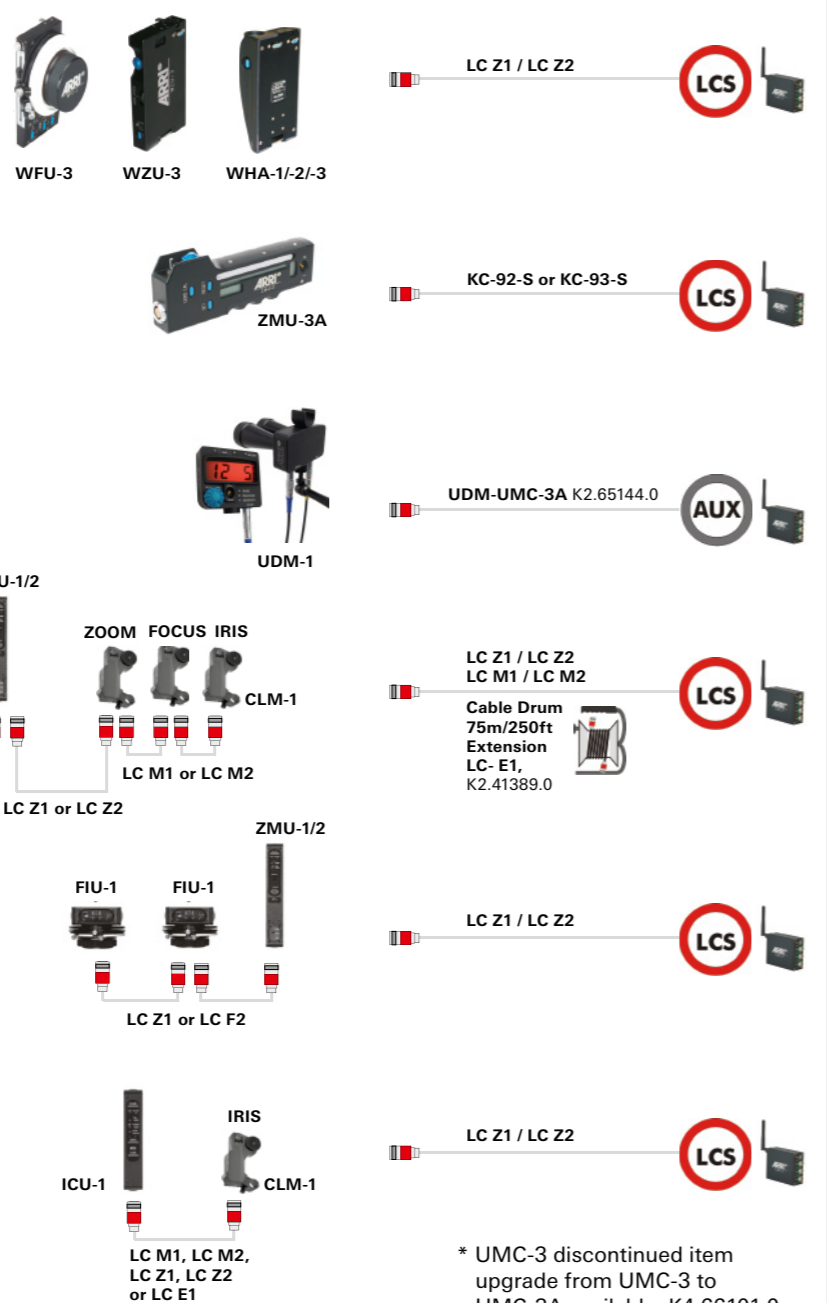
© 2010 Arnold & Richter Cine Technik GmbH & Co. Betriebs KG. All rights reserved. This material is provided "as is" for information purposes only without any warranty. ARRI assumes no responsibility with regard to the performance or use of the products or typographical errors or inaccuracies of given information. Product specifications are subject to change without notice. For a full listing of all available components consult the price list.

## Hand Controllers - Sample Configurations



## Wired Controllers

Note: Use of WRC-1 via UMC-3/3A is only possible with following CAM Cables:  
ARRIFLEX 235, 416: KC-97-S, ARRIFLEX 435, 535, 16SR3: KC-99-S



With the ZMU-1 or ZMU-2 connected to the LCS, you can control three CLM-2 or CLM-1 motors.

Note: Use of ICU-1 via UMC-3 is only possible with following CAM Cables:  
ARRIFLEX 235, 416: KC-97-S, ARRIFLEX 435, 535, 16SR3: KC-99-S

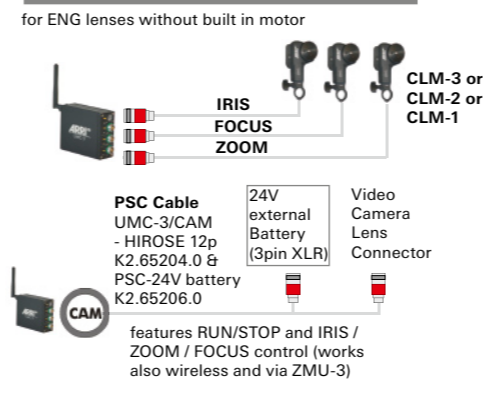
With the ICU-1 connected to the UMC-3, the IRIS is controlled by one CLM-2 Motor. You can also use CLM-1 Motors via LC Cables (see drawing).

\* UMC-3 discontinued item upgrade from UMC-3 to UMC-3A available, K4.66101.0

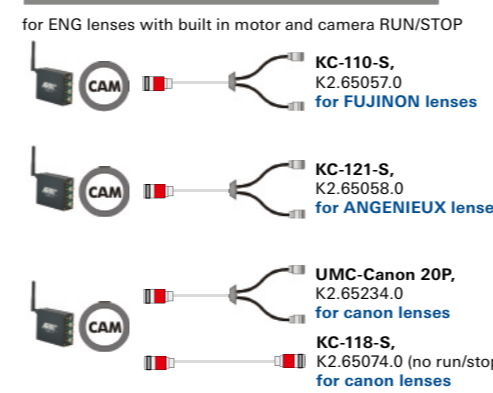


**UMC-3\*/3A**  
Caution: make sure Receiver and Controller have compatible Radio Module  
Currently: White Radio Module

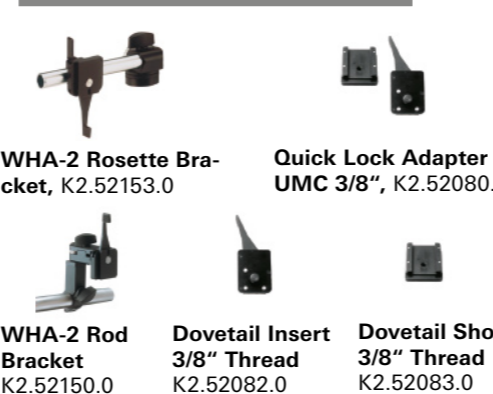
## Video Lens Control



## Direct ENG-Lens Control



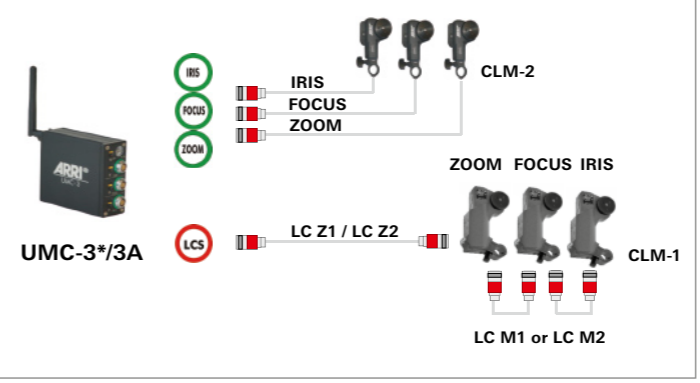
## Accessories



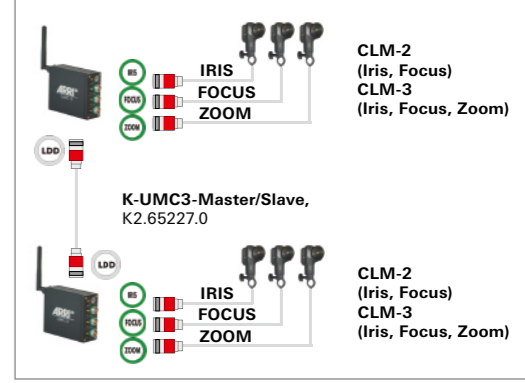
## CAM Cables (connect UMC-3/3A to a Camera)



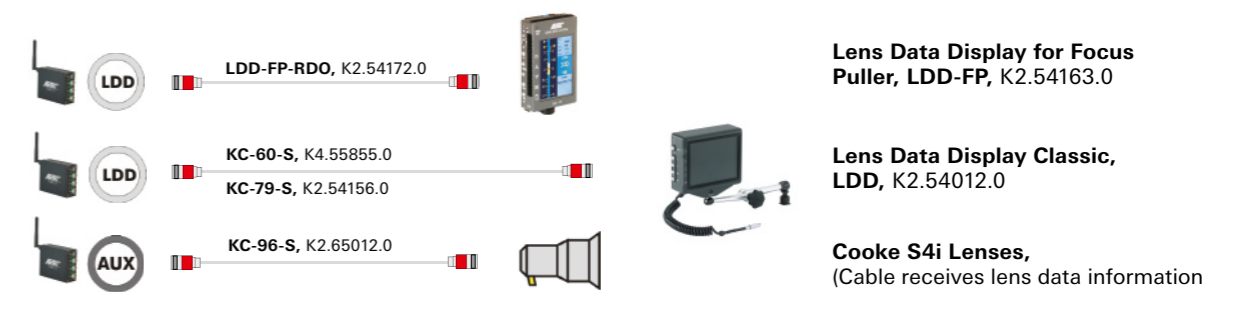
## Lens Motor Connections



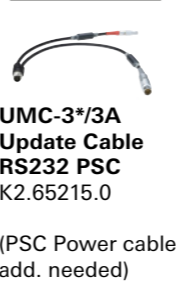
## 3D Connections



## Lens Data Displays / LDS Data Cable



## Cable



## Antenna Cable

