

Matte Box 14, MB-14 (6.6" x 6.6")*

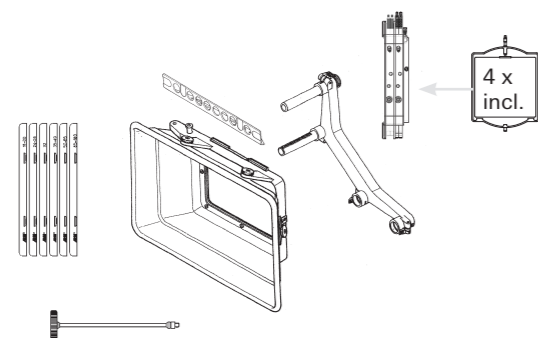
* discontinued items
only as long as stock is available



CONFIGURATION OVERVIEW – 8.3.0 / 2014.11

ARRI assumes no responsibility with regard to the performance or use of the products or typographical errors or inaccuracies of given information. Product specifications are subject to change without notice. For a full listing of all available components consult the price list.

Set Option

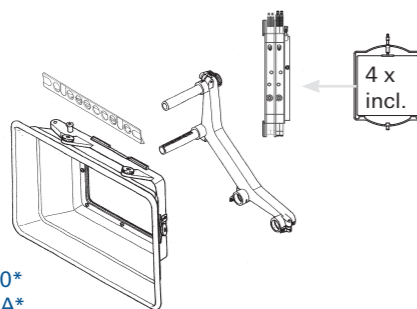


MB-14 Set for 19 mm Rods, K0.59971.0/ ***
MB-14 Set for 15 mm Rods, K0.59987.0/ ***

**** Set includes:**
 Basic Module: 19 mm K2.42149.0 or
 Basic Module: 15 mm K2.42149.A
 (incl. Filter Stage for four filters, K4.42217.0
 4x filter frames 6.6" x 6.6": 2x geared K4.47076.0
 2x non-geared K4.47074.0
 French Flag Holder, K5.42218.0)
 Mask Set 18 – 180 mm, K2.42306.0
 Flexible drive shaft, K2.34890.0

** For more sets and details please see price-list

Accessories



Light Shield Set
 (top+left+right) K0.59972.0*
 (top only) K2.44447.0*
 (left/right only) K2.44726.0 *

MB-14 for 19 mm Rods, K2.42149.0*
MB-14 for 15 mm Rods, K2.42149.A*

Includes:
 Basic Module 19 mm K2.47878.0 or
 Basic Module 15 mm K2.47879.0
 Filter Stage for four Filters, K4.42217.0
 4x filter frames 6.6" x 6.6":
 2x geared, K4.47076.0
 2x non-geared, K4.47074.0

Set of masks
 18 – 180 mm
 K2.42306.0*
 (included in K0 Set)

Flexible drive shaft
 K2.34890.0
 (included in K0 Sets)

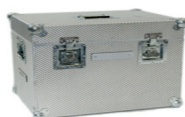
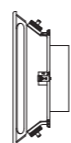
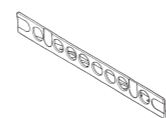
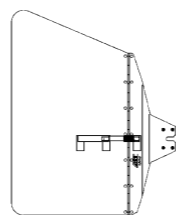
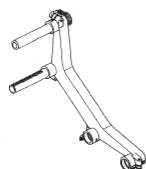
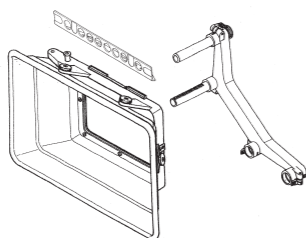
French flag holder
 K5.42218.0*
 (included in K0 Sets)

Carrier MB14-W
 for lenses from
 9.8 mm, K2.43957.0*

Case for MB-14/MB-28
 K2.44774.0*
 with variable dividers

Basic Module 19 mm, K2.47878.0*
Basic Module 15 mm, K2.47879.0*
 (incl. the French Flag Holder and
 Console for swing away)

Conversion set
 Console to 19 mm rods
 K2.43344.0*
 Console to 15 mm rods
 K4.43263.0*



Filter Stages (fits R1 Rings)

6-Filter Stage
 (6.6" x 6.6")
 K2.42286.0*

two pairs rotatable and
 each separately slidable,
 incl. 2x Filter Frames:
 (1x K4.47074.0 &
 1x K4.47076.0)
 fits R1 Rings with
 ø 165 mm & F1 Filter
 Frames

4-Filter Stage
 (6.6" x 6.6")
 K4.42217.0*

2x rotatable and 2x slidable
 incl. 4x Filter Frames:
 (2x K4.47074.0 &
 2x K4.47076.0)
 fits R1 Rings with
 ø 165 mm & F1 Filter
 Frames

3-Filter Stage
 (6.6" x 6.6")
 K2.42287.0*

two rotatable as
 a pair, one rotatable
 individually all slidable;
 no Filter Frames included,
 fits R1 rings with
 ø 165 mm & F1 Filter
 Frames

2-Filter Stage
 (6.6" x 6.6")
 K2.45504.0*

for UP 10 mm when
 shooting in Super 35
 no Filter Frames included,
 fits R1 rings with
 ø 165 mm & F1 Filter
 Frames

For Rings R1 please see
 Configuration Overview 9.0.0

Filter Stages (fits R3 Rings)

snaps into the round back of above filter stages
 (space of filter rings);
 for use of smaller Filter Frames F6

4" x 4" Filter Stage
 K2.42293.0* for 2 filters
 4x 4" and
 one round filter 138 mm
 each rotate and slidable
 (includes 2x
 4 x 4" filter frames)

**USE R3 FILTER RINGS
 ONLY** - fits rings with
 ø 128 mm & F6 Filter
 frames

For Rings R3 please see
 Configuration Overview 9.0.0

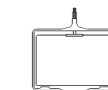
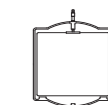
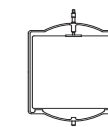
Filter Frames (F1)

6.6" x 6.6" Filter Frame, spare
 K4.47074.0
6.6" x 6.6" Filter frame, geared
 spare
 K4.47076.0

4 x 5.65 Reducer Frame
 K2.66038.0
 for 6.6x6.6 Filter Frames

**5.65" x 5.65"
 Filter Frame**
 K2.66063.0

**5" x 6"
 Filter Frame**
 K2.34881.0*



Filter Frames (F6)

**4" x 6"
 Filter frame vertical**
 K2.34980.0*

**4" x 5.65"
 Filter frame vertical**
 K2.32220.0*

**4" x 4"
 Filter frame spare**
 K4.32902.0*



MB 14 technical data:

Min focal length 35 mm lenses:	9.8 mm (with MB14W)
Min focal length 35 mm lenses:	12 mm (with MB14)
Max number of 6 x 6 filters:	six 6 x 6 filters
Max number of 4 x 4 filters:	two 4 x 4 filters
Max number of 138 mm round filters:	one 138 mm
Max number of 4 1/2" round filters:	one 4 1/2" round filter
Dimensions:	372 x 260 x 155 mm
Weight:	approx. 2450 g (5.4 lbs)

**CAUTION: RINGS CAN VIGNETTE.
 PLEASE CONTACT ARRI.**

* discontinued items
 only as long as stock is available

ø = diameter of connection
 ring to lens