

Cage System II



CONFIGURATION OVERVIEW – 6.6.1 / 2015.12

© 2010 Arnold & Richter Cine Technik GmbH & Co. Betriebs KG. All rights reserved. This material is provided "as is" for information purposes only without any warranty. ARRI assumes no responsibility with regard to the performance or use of the products or typographical errors or inaccuracies of given information. Product specifications are subject to change without notice. For a full listing of all available components consult the price list.

Camera Cage Sets

LBS-2 Handgrip Set **K0.0000465**
 Consists of:
 Handgrip normal K2.47861.0 (2x)
 Handgrip Extension long K2.47863.0 (2x)
 Lightweight Bridge Support, LBS-2 K2.66275.0 (1x)

UBS-2 Handgrip Set **K0.0000621**
 Consists of:
 Handgrip normal K2.47861.0 (2x)
 Handgrip Extension long K2.47863.0 (2x)
 Universal Bridge Support, UBS-2 K2.66277.0 (1x)

Set for Canon 1DC/1DX

LWS Set for Canon 1DC-1DX **K0.60189.0***
 Consists of:
 Adapter Plate for Canon 1DC-1DX K2.66205.0*
 15 mm LWS Rod Console K2.65264.0 (2x)
 15 mm Rods 240 mm K2.66253.0 (2x)
 15 mm Rods 140 mm K2.66254.0



Sets for RED Epic / Scarlet

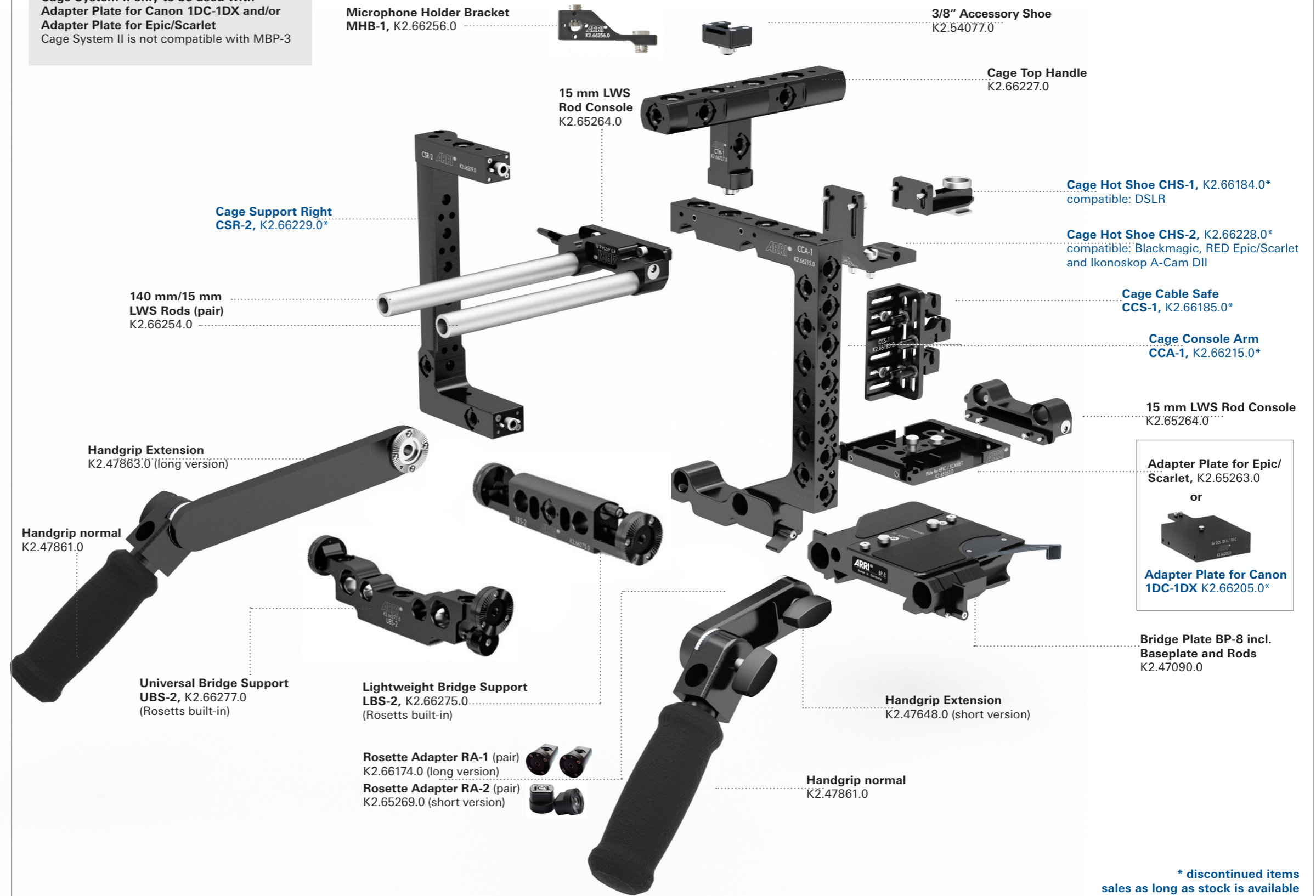
Adapter Plate Set for Epic/Scarlet **K0.60169.0**
 Consists of:
 Adapter Plate for Epic/Scarlet K2.65263.0
 15 mm LWS Rod Console K2.65264.0 (2x)
 15 mm Rods 240 mm K2.66253.0 (2x)

BP-8 Adapter Plate Set for Epic/Scarlet **K0.60170.0**
 Consists of:
 Adapter Plate for Epic/Scarlet K2.65263.0
 15 mm LWS Rod Console K2.65264.0 (2x)
 15 mm Rods 240 mm K2.66253.0 (2x)
 BP-8 Bridgeplate Set cpl. K2.47090.0

BP-9 Adapter Plate Set for Epic/Scarlet **K0.60171.0**
 Consists of:
 Adapter Plate for Epic/Scarlet K2.65263.0
 15 mm LWS Rod Console K2.65264.0 (2x)
 15 mm Rods 240 mm K2.66253.0 (2x)
 BP-9 Bridgeplate Set cpl. K2.47091.0

Camera Cage System II

Cage System II only to be used with Adapter Plate for Canon 1DC-1DX and/or Adapter Plate for Epic/Scarlet
 Cage System II is not compatible with MBP-3



* discontinued items sales as long as stock is available