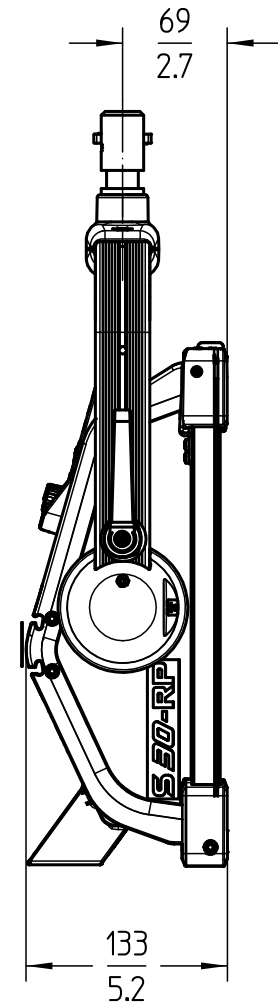
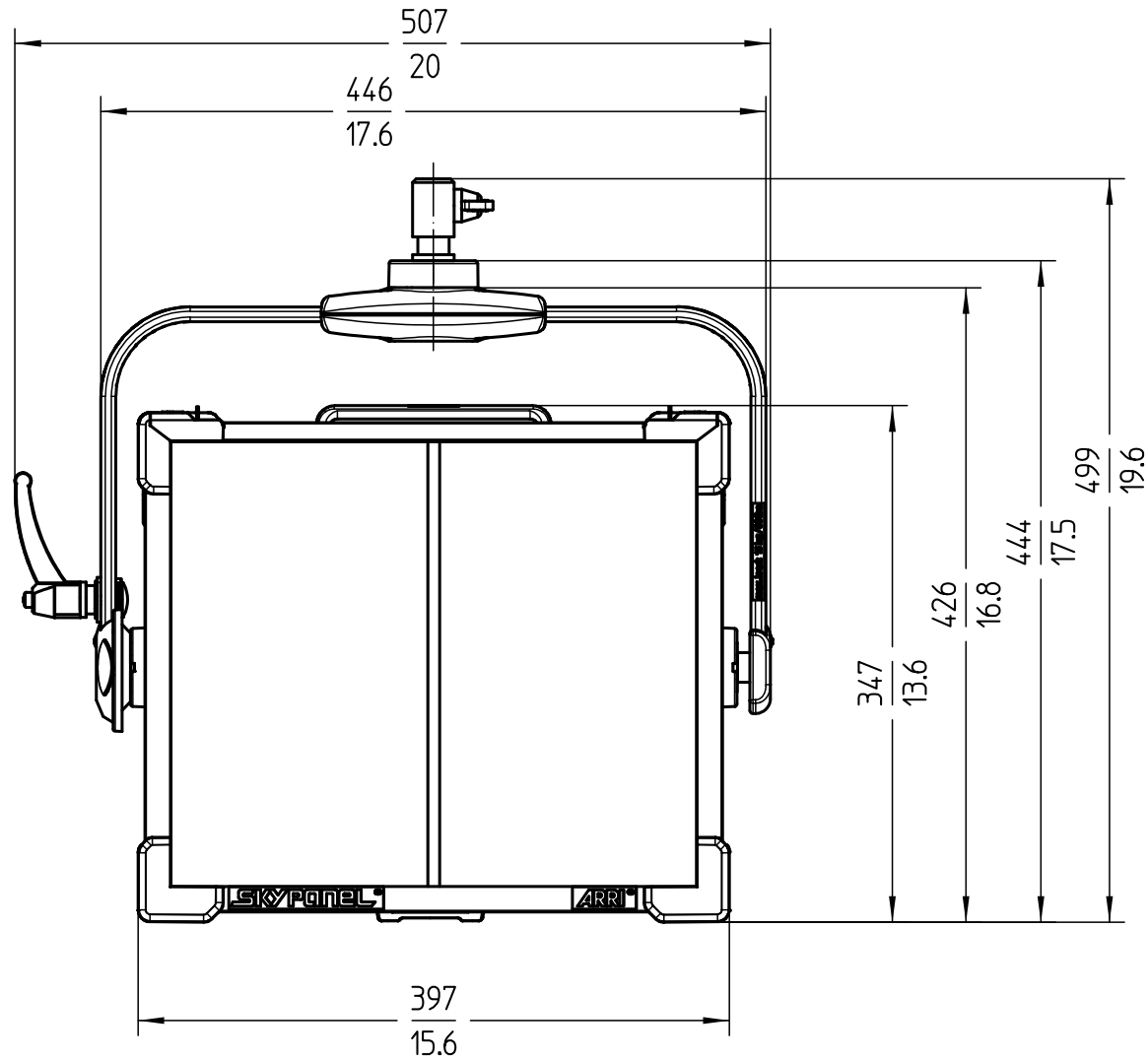


Schutzvermerk nach DIN34 beachten

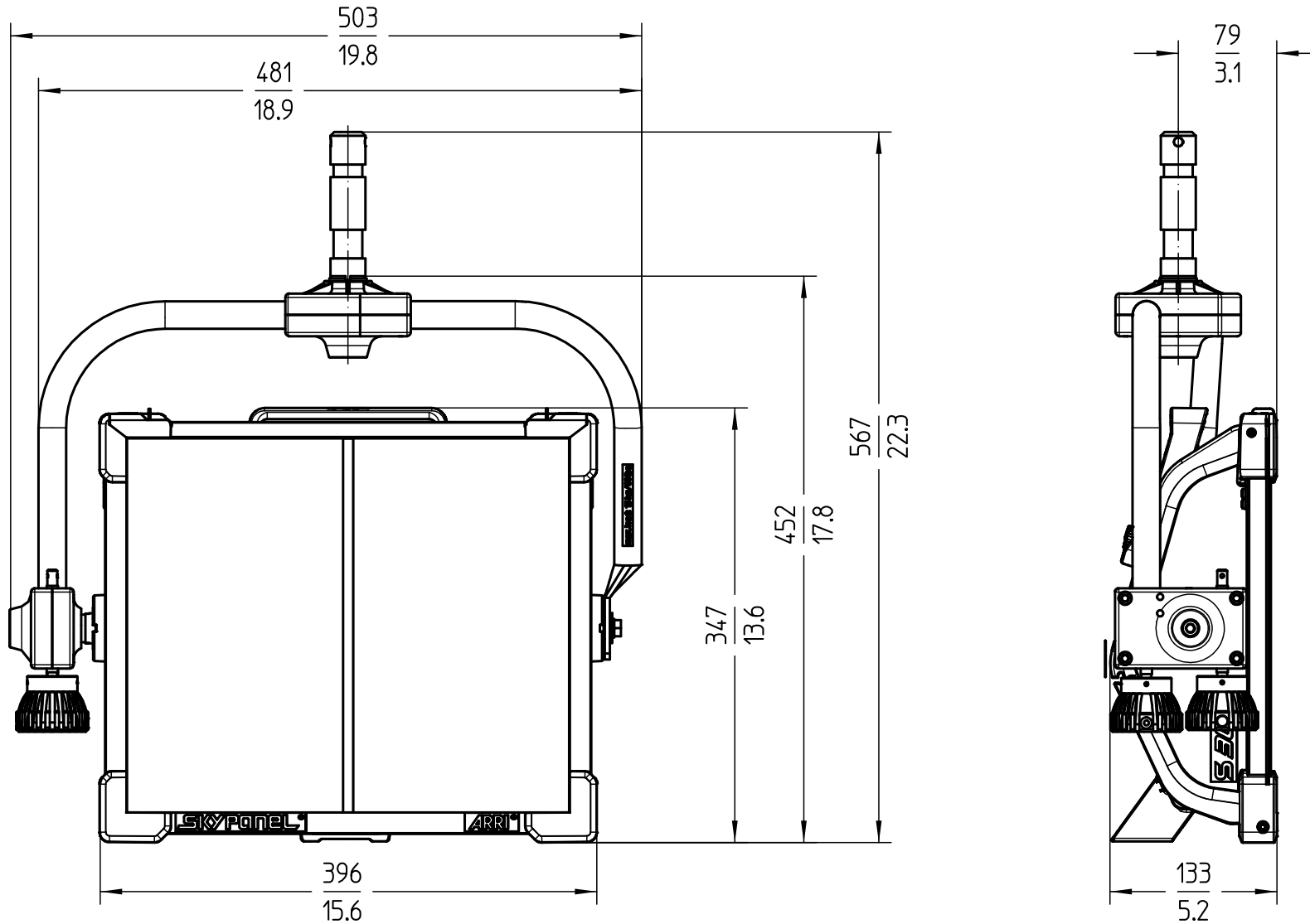


| Scheinwerfertyp<br>type of lamphead  | S30-RP Manual                              | Packmass<br>packed size               | 665 x 470 x 300 mm<br>26.2 x 18.5 x 11.8 "  |         | Bezeichnung<br>description |         | Gewicht<br>weight |      | Packgewicht<br>packed weight |      |
|--------------------------------------|--|---------------------------------------|---|---------|----------------------------|---------|-------------------|------|------------------------------|------|
|                                      |  |                                       | Ident Nr.   | Version | kg                         | lbs.    | kg                | lbs. |                              |      |
| Leuchtmittel<br>lamp                 | ARRI LED-Engine                            | Packvolumen<br>packed volume          | 94 l<br>3.3 ft³   |         | L0.0007718                 | Schuko  | 7,0               | 15.4 | 14,0                         | 30.9 |
|                                      |  | Anmerkung / notes                     | Gewicht inklusive Bügel, Zapfen und Netzkabel<br>Weight includes yoke, spigot and mains cable |         | L0.0007717                 | Edison  | 7,0               | 15.4 | 14,0                         | 30.9 |
| Zubehör Einschub<br>accessories slot | 364 x 306 x 2,3 mm<br>14.3 x 12.0 x 0.09 " |                                       |   |         | L0.0007720                 | Chinese | 7,0               | 15.4 | 14,0                         | 30.9 |
|                                      |  |                                       |   |         | L0.0007724                 | Schuko  | 7,0               | 15.4 | 14,0                         | 30.9 |
|                                      |  |                                       |   |         | L0.0007723                 | Edison  | 7,0               | 15.4 | 14,0                         | 30.9 |
| Diffusor<br>diffusion                | 367 x 314 x 6,6 mm<br>14.4 x 12.3 x 0.26 " | Version / Stand<br>version / as at... | 2.0 / 11.01.2018  |         | L0.0007725                 | Chinese | 7,0               | 15.4 | 14,0                         | 30.9 |

**ARRI** 

Arnold & Richter Cine Technik  
Pulvermuehle  
D-83071 Stephanskirchen

Schutzvermerk nach DIN34 beachten



|                                      |  |   |  |                            |           |                   |      |                              |      |
|--------------------------------------|--|---|--|----------------------------|-----------|-------------------|------|------------------------------|------|
| Scheinwerfertyp<br>type of lamphead  | S30-RP Pole Operated (P.O.)                | Packmass<br>packed size   | 665 x 470 x 300 mm<br>26.2 x 18.5 x 11.8 " | Bezeichnung<br>description |           | Gewicht<br>weight |      | Packgewicht<br>packed weight |      |
| Leuchtmittel<br>lamp                 | ARRI LED-Engine                            | Packvolumen<br>packed volume  | 94 l<br>3.3 ft³                            | Ident Nr.                  | Version   | kg                | lbs. | kg                           | lbs. |
|                                      |  | Anmerkung / notes   |  | L0.0007721                 | Bare Ends | 9,0               | 19,8 | 15,6                         | 34,4 |
|                                      |  | Gewicht inklusive Bügel, Zapfen und Netzkabel<br>Weight includes yoke, spigot and mains cable |  | L0.0007726                 | Bare Ends | 9,0               | 19,8 | 15,6                         | 34,4 |
| Zubehör Einschub<br>accessories slot | 364 x 306 x 2,3 mm<br>14.3 x 12.0 x 0.09 " |   |  |                            |           |                   |      |                              |      |
| Diffusor<br>diffusion                | 367 x 314 x 6,6 mm<br>14.4 x 12.3 x 0.26 " | Version / Stand<br>version / as at...   | 2.0 / 11.01.2018                           |                            |           |                   |      |                              |      |

**ARRI** 

Arnold & Richter Cine Technik  
Pulvermuehle  
D-83071 Stephanskirchen