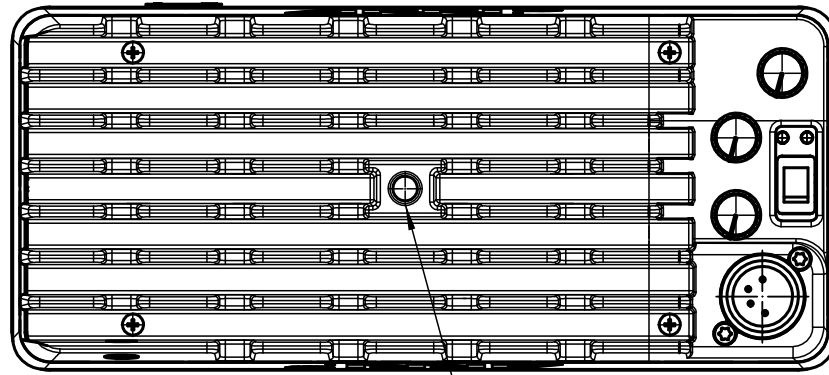
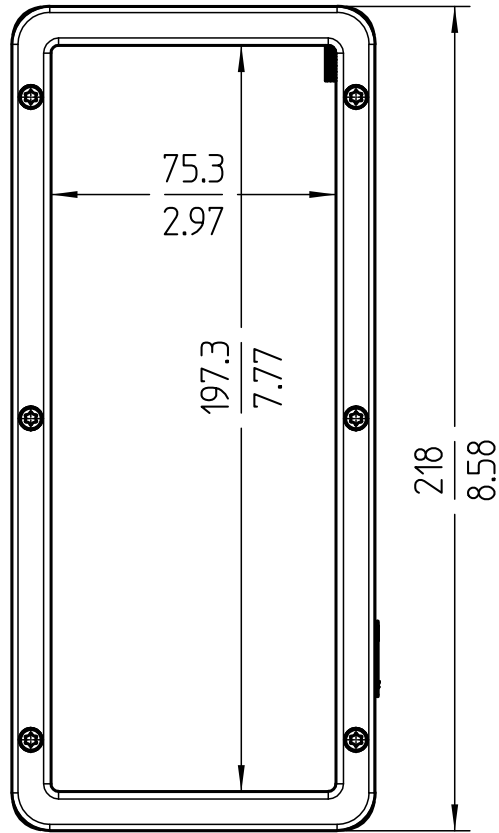
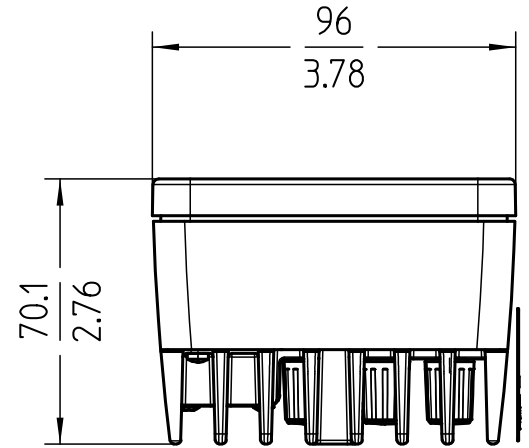
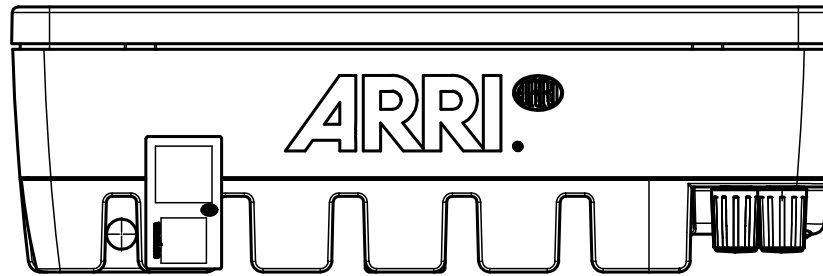


Schutzvermerk nach DIN34 beachten



UNC-3/8"-16 (8mm tief)



|                                     |  |                                       |  |            |         |                   |       |                              |       |
|-------------------------------------|--|---------------------------------------|--|------------|---------|-------------------|-------|------------------------------|-------|
| Scheinwerfertyp<br>type of lamphead | LoCaster 2 Plus  | Packmass<br>packed size               | 235x115x80 (LxBxH)mm<br>9,26x4,53x3,15 " | Ident Nr.: |         | Gewicht<br>weight |       | Packgewicht<br>packed weight |       |
| Leuchtmittel<br>lamp                | ARRI LED-Engine  | Packvolumen<br>packed volume          | 2,17 l<br>0,077 ft3                      |            | Version | kg.               | lbs.  | kg.                          | lbs.  |
| Lampensockel<br>lamp base           | -  | Linse<br>lenses                       | spezieller Optikaufbau                   | L1.0001329 | 1       | 1,080             | 2,380 | 1,220                        | 2,690 |
| Zubehoer<br>accessories             | L2.30058 Intensifier, faltbar<br>L2.30059 Filterhalter | Dateiname<br>file name                | 0610-60-00-00-00                         |            |         |                   |       |                              |       |
| Fluegeltor<br>barndoor              | L2.30061,0   | Version / Stand<br>version / as at... | 1.0 / 07.05.2014                         |            |         |                   |       |                              |       |



Arnold & Richter Cine Technik  
Pulvermuehle  
D-83071 Stephanskirchen