

Tally System Gen. 2

OPERATING MANUAL

2023-04-19 (V1.01, English)



Disclaimer

Before using the products, be sure to read and understand all respective instructions.

The products are available for commercial customers only.

For product specification changes since this operating manual was published, refer to the latest publications of ARRI data sheets or data books, etc., for the most up-to-date specifications. Not all products and/or types are available in every country. Please check with an ARRI sales representative for availability and additional information.

ARRI assumes no responsibility for any errors that may appear in this document. The information is subject to change without notice.

While ARRI endeavors to enhance the quality, reliability and safety of their products, customers agree and acknowledge that the possibility of defects thereof cannot be eliminated entirely. To minimize risk of damage to property or injury (including death) to persons arising from defects in the products, customers must incorporate sufficient safety measures in their work with the system and have to heed the stated canonic use.

ARRI or its subsidiaries expressly exclude any liability, warranty, demand or other obligation for any claim, representation, or cause, or action, or whatsoever, express or implied, whether in contract or tort, including negligence, or incorporated in terms and conditions, whether by statute, law or otherwise. In no event shall ARRI or its subsidiaries be liable for or have a remedy for recovery of any special, direct, indirect, incidental, or consequential damages, including, but not limited to lost profits, lost savings, lost revenues or economic loss of any kind or for any claim by third party, downtime, good will, damage to or replacement of equipment or property, any cost or recovering of any material or goods associated with the assembly or use of our products, or any other damages or injury of the persons and so on or under any other legal theory.

Neither ARRI nor its subsidiaries assume any liability for infringement of patents, copyrights or other intellectual property rights of third parties by or arising from the use of ARRI products or any other liability arising from the use of such products. No license, express, implied or otherwise, is granted under any patents, copyrights or other intellectual property right of ARRI or others.

ARRI or its subsidiaries do not assume any responsibility for incurred losses due to improper handling or configuration of the system.

In the case one or all of the foregoing clauses are not allowed by applicable law, the fullest extent permissible clauses by applicable law are validated.

Imprint

© 2023 Arnold & Richter Cine Technik GmbH & Co. Betriebs KG. All rights reserved.

The system contains proprietary information of Arnold & Richter Cine Technik GmbH & Co. Betriebs KG; it is provided under a license agreement containing restrictions on use and disclosure and protected by copyright law. Reverse engineering of the software is prohibited.

No part of this publication may be reproduced, stored in a retrieval system, or transmitted in any form or by any means, electronic, mechanical, photocopying, recording or otherwise without the prior written permission of Arnold & Richter Cine Technik GmbH & Co. Betriebs KG.

Due to continued product development the information in this document may change without notice. The information and intellectual property contained herein is confidential between ARRI and the client and remains the exclusive property of ARRI. If you find any problems in the documentation, please report them to us in writing. ARRI does not warrant that this document is flawless.

ARRI, ARTEMIS 1, ARTEMIS 2, TRINITY 1, TRINITY 2, SRH3 and SRH360 are trademarks or registered trademarks of Arnold & Richter Cine Technik GmbH & Co. Betriebs KG. All other brands or products mentioned are trademarks or registered trademarks of their respective holders and should be treated as such.

For Further Assistance

Arnold & Richter Cine Technik GmbH & Co. Betriebs KG
Herbert-Beyer-Strasse 10
D-80807 Munich
Germany

E-mail: service@arri.com

www.arri.com/en/technical-service

Content

- 1 About this Document..... 5**
- 1.1 Intended Use..... 6
- 2 About this Product..... 7**
- 2.1 Introduction.....7
- 2.2 Dimensional Drawing.....8
- 2.3 Environmental Conditions.....8
- 2.4 Scope of Delivery..... 9
- 2.5 Certifications and Safety Standards..... 11
- 3 Safety Instructions.....13**
- 3.1 Safety Conventions and Product Labels..... 13
- 3.2 General Safety Instructions..... 14
- 4 Installation and Operation..... 15**
- 4.1 To Install the Tally Sensor..... 15
- 4.2 To Mount the Tally Host Module.....16
- 4.3 To Mount the Tally Client Module..... 18
- 4.4 Connection to ARTEMIS..... 19
- 4.5 Connection to TRINITY 2..... 21
- 4.6 Connection to TRINITY Live or TRINITY Gen. 1..... 23
- 4.7 Connection to CCP-Live..... 25
- 4.8 Connection to Camera.....26
- 4.9 Pinout..... 27
- 5 Cleaning and Repair.....28**
- 6 Transportation, Storage and Disposal.....29**
- 7 ARRI Service Contacts.....30**

1 About this Document

This operating manual is aimed at everyone involved in using the system and provides directions on how to operate it safely and as intended. To ensure safe and correct use, all users must read the operating manual before using the system for the first time.

This operating manual is an essential part of this product and must be easily accessible and in close proximity to the equipment so that users can use it as a reference anytime.

Keep the operating manual, the user manual and all other operating and assembly instructions belonging to the system in a safe place for future reference and possible subsequent owners.

Additional Information

For useful information in addition to this operating manual please have a look at the [ARRI Learn & Help](#) section on the ARRI website.

Strengthen Your Knowledge and Get Trained

The ARRI Academy courses provide unrivalled insights into the full possibilities of working with ARRI camera systems, lenses, lights and accessories.

Our Advanced Service Training courses are designed to transfer detailed knowledge about how to service and repair all types of ARRI products and give you permanent access to detailed Service instructions, special tools and spare-parts. To learn more, please visit [ARRI Academy](#) or contact academy@arri.de.

For further details, refer
to the ARRI website at
<https://www.arri.com/tally-gen2>



For Tech Tips, refer to the
ARRI Youtube channel at
<https://youtube.com/user/arrichannel>



Document Revision History

Document ID: D45 1000 7338

Version	Release	Date	Description
1.0	K1196	2022-12-22	Initial Release
1.01	K11219	2023-04-19	UKCA Certification added

1.1 Intended Use

ATTENTION

The product is an auxiliary system to indicate the active camera in a TV or movie production environment.

All versions of the product are intended exclusively for professional use and may only be used by skilled personnel. Every user should read and understand the operating instructions and the user manual. Use the product only for the purpose described in this document. Always follow the instructions and system requirements for all equipment involved.

Only use the product as described in the operating manual. Any other use is considered improper and can result in property damage. ARRI assumes no liability for damages or changes that are caused by improper use.

The entire product may not be changed or converted.

2 About this Product

2.1 Introduction

What is the TALLY System Gen. 2?

In the production of TV studios and OB trucks, the tally system is an auxiliary system that uses the red LED indicator light to tell the director, cameraman, host of the show and technicians that a specific camera is ON AIR at that moment.

It helps actors and the host of the show to face the right camera and ensure the correct line of sight. Whether in the studio or in the OB truck workflow, the tally system is a very important component that allows the planned and rehearsed sequences of camera movements and camera angles to come about during production.

How does the TALLY System Gen. 2 work?

The ARRI Tally System Gen. 2 contains a so-called Host module, which normally mounted onto the 15mm rods and is thus located under the lens, and the so-called Client module, which is mounted on top of the operator's monitor.

A Tally trigger signal is required to switch the red LED in the Tally Host module ON and OFF.

By default, this trigger signal is generated by picking up the onboard tally LED on the camera using a photocell. Alternatively, the Tally trigger signal can be tapped directly at the camera using a special cable (3rd party).

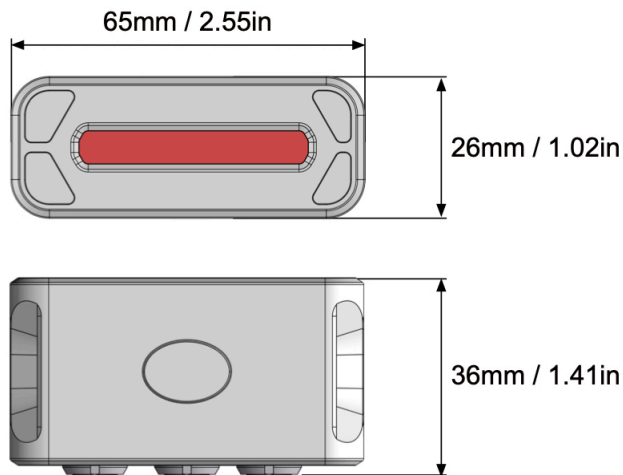
After the Tally Host module has been triggered, i.e. the red LED starts to light up, another trigger signal is sent through the tally-out socket of the Tally Host module further through the rig to the tally Client module, which then simultaneously lights up the red LED in the Tally Client module turns on.

What problems does the TALLY System Gen. 2 solve?

Compared to the first generation, the Tally Host module now communicates digitally with the Tally Client module.

In order to achieve a better perception of the Tally Host module, it has been designed to be extremely bright, while the Tally Client module has a slightly softer display so as not to blind or distract the operator.

2.2 Dimensional Drawing



Weight

Tally Host Module 76 g / 0.17 lb

Tally Client Module 81 g / 0.18 lb

2.3 Environmental Conditions

The Tally System Gen. 2 should only be used and stored under certain environmental conditions. Check the following conditions before commissioning and operation:

Electrical Requirements	Input voltage: 28 V DC
Operating Temperature	-20° C to +45° C / -4° F to +113° F
Storage Temperature	-30° C to +70° C / -22° F to +158° F
Humidity	95% relative humidity max, non condensing

2.4 Scope of Delivery

ATTENTION

The packaging consists of recyclable materials. For the sake of the environment, dispose the packaging material at a suitable disposal site only.

Always store, ship and dispose according to local regulations. ARRI is not liable for consequences from inadequate storage, shipment or disposal.

On delivery, please check if package and content are intact. Never accept a damaged delivery.

ARTEMIS 2

Tally Gen. 2 Set for artemis Gen. 2, 3pin Fischer	K0.0044680
■ Tally System Gen. 2 / Host	K2.0044490
■ Tally System Gen. 2 / Client	K2.0044491
■ Tally Sensor Cable, Gen. 1 & 2	K2.0010482
■ Tally Gen. 2 Pwr, TST-2, Fischer 3pin to Lemo 0S 3pin, 0,35m / 13.7in	K2.0044143
■ Tally Gen. 2 Pwr, TST-2, Fischer 3pin to Lemo 0S 3pin, 0,35m / 13.7in	K2.0044143

ARTEMIS Gen. 1

Tally Set for artemis Gen.1, 3pin Lemo	K0.0044685
■ Tally System Gen.2 / Host	K2.0044490
■ Tally System Gen.2 / Client	K2.0044491
■ Tally Sensor Cable, Gen. 1 & 2	K2.0010482
■ Tally Gen. 2 Pwr, TST-1, Lemo 0S 3pin to 0S 3pin, 0,35m / 13.7in	K2.0044142
■ Tally Gen. 2 Pwr, TST-1, Lemo 0S 3pin to 0S 3pin, 0,35m / 13.7in	K2.0044142

TRINITY 2

Tally Set for TRINITY Gen.2, 3pin Fischer	K0.0044678
■ Tally System Gen.2 / Host	K2.0044490
■ Tally System Gen.2 / Client	K2.0044491
■ Tally Sensor Cable, Gen. 1 & 2	K2.0010482
■ Tally Gen. 2 Pwr, TST-2, Fischer 3pin to Lemo 0S 3pin, 0,35m / 13.7in	K2.0044143
■ Tally Gen. 2 Pwr, TRH-2, Fischer 3pin to Lemo 0S 3pin, 0,75m / 29.5in	K2.0044146
■ Tally Gen. 2 Mon Pwr, Lemo 0B 2pin to 0B 5pin, 0,10m / 3.9in	K2.0044374
■ Tally Gen. 2 Mon Pwr, Lemo 0B 2pin to 0B 2pin, 0,10m / 3.9in	K2.0044147

TRINITY Gen. 1

Tally Set for TRINITY Gen.1, 3pin Lemo	K0.0044682
■ Tally System Gen.2 / Host	K2.0044490
■ Tally System Gen.2 / Client	K2.0044491
■ Tally Sensor Cable, Gen. 1 & 2	K2.0010482
■ Tally Gen. 2 Pwr, TST-1, Lemo 0S 3pin to 0S 3pin, 0,35m / 13.7in	K2.0044142
■ Tally Gen. 2 Mon Pwr, Analog Joystick Lemo 0B 5pin to 0S 3pin, 0,25m / 9.8in	K2.0044260
■ Tally Gen. 2 Mon Pwr, Lemo 0B 2pin to 0B 5pin, 0,10m / 3.9in	K2.0044374
■ Tally Gen. 2 Mon Pwr, Lemo 0B 2pin to 0B 2pin, 0,10m / 3.9in	K2.0044147

2.5 Certifications and Safety Standards

Approval Information

The TALLY System Gen. 2 is approved for use in countries where the CE or FCC declaration is accepted. That contains the European Union, Canada, and the USA. Additionally, the TALLY System Gen. 2 can be used in many other countries, including UK, China (incl. HK), Australia, New Zealand, UAE, Singapore, Japan, India, Egypt, South Africa, Mexico, Serbia, Thailand, Israel, Philippines, Lebanon, Bangladesh and Indonesia. Additional countries might follow in the near future.

The import and use in other countries may be subject to legal, official or regulatory requirements and regulations. It is the importer's or the user's responsibility, prior to importation or use, to inform themselves of the applicable legal, regulatory and administrative requirements and regulations and to ensure compliance with these requirements and regulations. This includes the applying for and obtaining of all necessary approvals or registrations.

As far as reasonable and legally possible, ARRI will support requests in relation to such applications by providing technical documents or declarations. As an importer or user, you confirm that you are familiar and comply with the legal, regulatory, and administrative requirements and regulations that apply in the countries to which you ship or use the products. You further confirm that you will arrange for any necessary registrations, enrollments, or authorizations that are required in such countries.

You release ARRI from all obligations resulting from any legislative, regulatory, or administrative requirements regarding import or use of the products, except in countries where ARRI has obtained a registration or certification. You agree to indemnify, defend, and hold ARRI harmless from any and all claims, damages, losses, liabilities, costs, and expenses (including reasonable fees of attorneys and other professionals) that may arise out of a demand on ARRI in connection with your obligations mentioned above.

EU Declaration of Conformity



Brand Name:	ARRI
Product	Accessory for Camera Stabilizer Systems
Description:	TALLY GEN-2, Host TALLY GEN-2, Client

The designated products conform to the specifications of the following European directives:

- Directive 2014/30/EU of the European Parliament and the Council of 26 February 2014 on the harmonization of the laws of the Member States relating to electromagnetic compatibility
- Directive 2011/65/EU of the European Parliament and the Council of 8 June 2011 on the restriction of the use of certain hazardous substances in electrical and electronic equipment and the Commission Delegated Directive (EU) 2015/863 of March 31, 2015.

Compliance with the requirements of the European directives has been verified by applying the following standards:

- EN 55032:2015 + AC:2016 + A1:2020 + A11:2020
- EN 55035:2017 + A11:2020
- EN IEC 61000-3-2:2014
- EN IEC 61000-3-3:2013
- EN IEC 63000:2018

The manufacturer bears sole responsibility for issuing this declaration of conformity.

UK Declaration of Conformity



Brand Name:	ARRI
Product	Accessory for Camera Stabilizer Systems
Description:	TALLY GEN-2, Host
	TALLY GEN-2, Client

The designated products conform to the specifications of the following United Kingdom regulations:

- The Electromagnetic Compatibility Regulations 2016
- The Restriction of the Use of Certain Hazardous Substances in Electrical and Electronic Equipment Regulations 2012

The compliance with the requirements of the United Kingdom regulations was proved by the application of the following standards:

- EN 55032:2015 + A11:2020; EN 55035:2017 + A11:2020; EN 61000-3-2:2014; EN 61000-3-3:2013
- EN IEC 63000:2018

The manufacturer bears sole responsibility for issuing this declaration of conformity.

FCC Class A Statement

Class A Statement: This equipment has been tested and found to comply with the limits for a Class A digital device, pursuant to Part 15 of the FCC Rules. These limits are designed to provide reasonable protection against harmful interference when the equipment is operated in a commercial environment. This equipment generates, uses, and can radiate radio frequency energy and, if not installed and used in accordance with the instruction manual, may cause harmful interference to radio communications. Operation of this equipment in a residential area is likely to cause harmful interference in which case the user will be required to correct the interference at his own expense.

Changes or modifications to the product not expressly approved by the party responsible for compliance could void the user's authority to operate the equipment.

Industry Canada Compliance Statement

Complies with CAN ICES-003(A)/NMB-003(A).

3 Safety Instructions









3.1 Safety Conventions and Product Labels

Structure of Safety and Warning Messages

These instructions use safety instructions, warning symbols and signal words to draw your attention to different levels of risk:


⚠ WARNING
<p>WARNING indicates a potentially hazardous situation which, if not avoided, may result in death or serious injury.</p> <ul style="list-style-type: none"> ▶ Always follow the recommended measures to avoid this hazardous situation.
⚠ CAUTION
<p>CAUTION indicates a potentially hazardous situation which, if not avoided, may result in minor or moderate injury.</p> <ul style="list-style-type: none"> ▶ Always follow the recommended measures to avoid this hazardous situation.
ADVICE
<p>ADVICE signifies a potentially hazardous situation which can result in damage to property.</p> <ul style="list-style-type: none"> ▶ Always follow the recommended measures to avoid this hazardous situation.
ATTENTION
<p>Not relevant to safety, ATTENTION provides additional information to clarify or simplify a procedure.</p>

Warning Symbols and Product Labels

	General warning sign		Warning of electrical voltage
	Warning of hot surfaces		Warning of hand injuries
	Warning of the risk of crushing		Warning of obstacles on the ground
	Please read all instructions carefully before using the product for the first time.		Direct Current symbol found on electronics requiring or producing DC power


3.2 General Safety Instructions

⚠ WARNING

 **Crushing during assembly and disassembly of the system**
Risk of injury through crushing.


- ▶ Installation and operation may only be carried out by trained personnel who are familiar with the system.
- ▶ Use appropriate tools when mounting and dismounting the system components.
- ▶ When connecting and disconnecting the system components and cables, there is a risk of crushing fingers and hands.
- ▶ Use only accessories approved by ARRI. The use of accessories not approved by ARRI is at your own risk. Please observe all relevant safety guidelines.

⚠ WARNING

 **Falling system components**
Risk of serious injuries and damage to equipment by system components falling down.

- ▶ Secure the system components against falling and tipping over. Observe the general and local safety regulations.
- ▶ Use only accessories approved by ARRI. The use of accessories not approved by ARRI is at your own risk. Please observe all relevant safety guidelines.

⚠ CAUTION

 **Connected cable on the floor**
Risk of injury caused by tripping, falling or slipping.

- ▶ Always properly secure cables connected to the camera accessories.
- ▶ Install cables in a way that they cannot be tripped over.
- ▶ If necessary, use a cable duct or secure the cables with adhesive tape.
- ▶ Disconnect the cables from the camera accessories before moving.

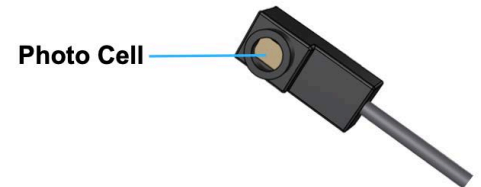
4 Installation and Operation

4.1 To Install the Tally Sensor

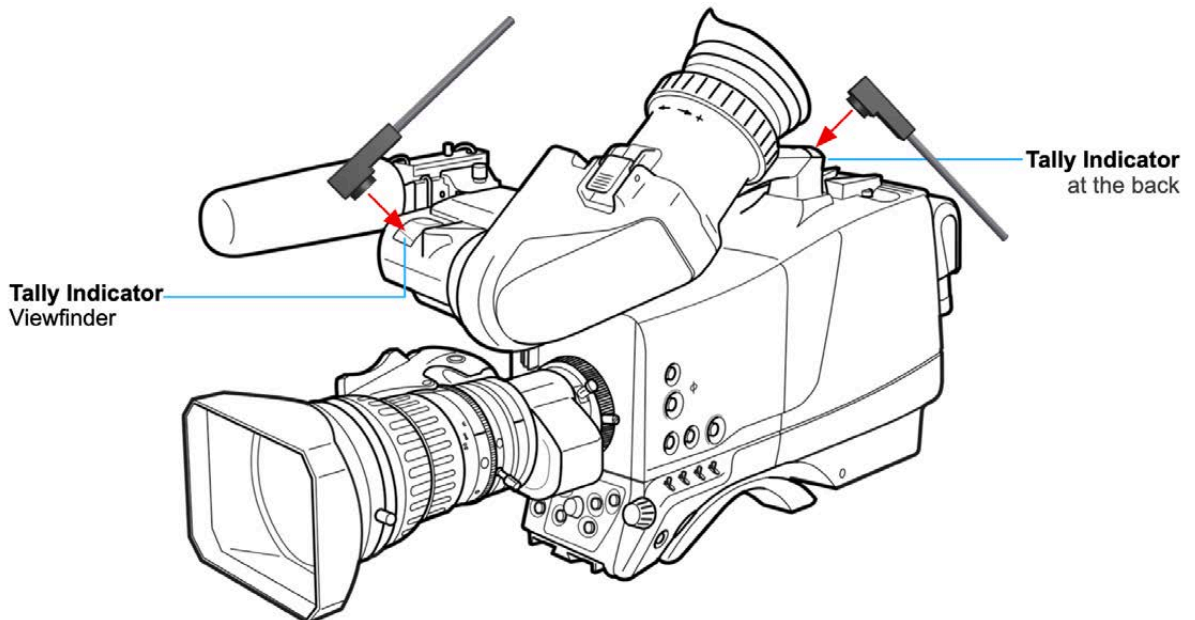
About the Tally Sensor

In standard use, the Tally Host module is triggered by a photocell.

The photocell is located in the top module of the Tally Sensor Cable (K2.0010482).



Placement of the Tally Sensor



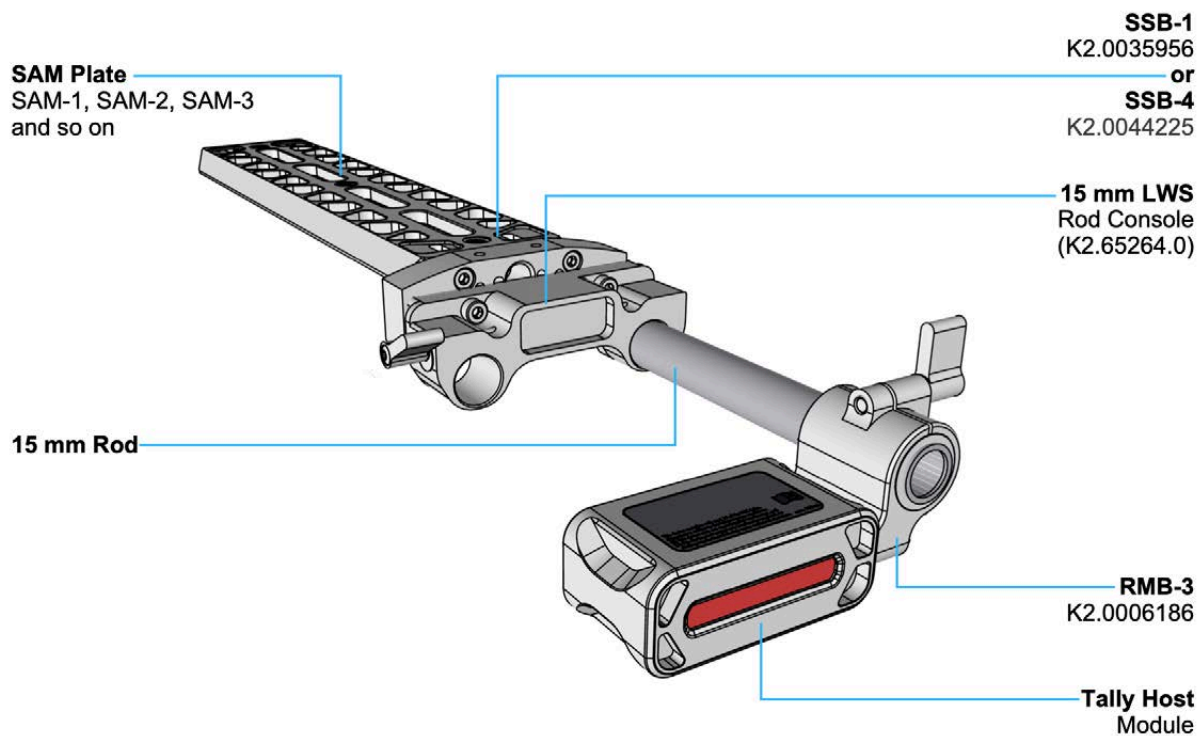
Place the tally sensor cable directly onto one of the available Tally LEDs of the camera or viewfinder.

NOTE

As soon as the tally sensor cable is placed on the tally LED, the photocell module and the camera tally LED must be covered completely light-tight. Use so-called black paper tape to cover the photocell module.

4.2 To Mount the Tally Host Module

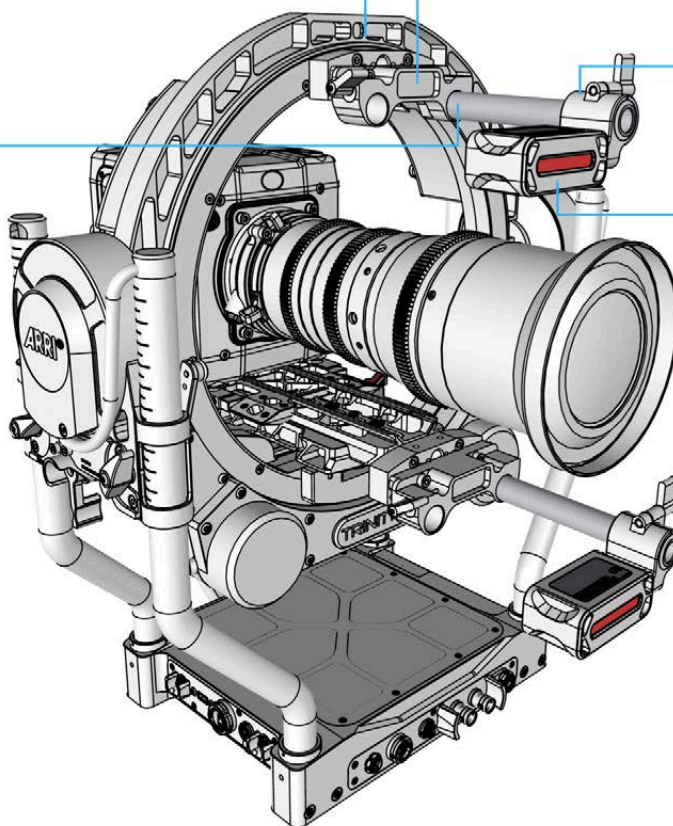
SAM Plates



To place the tally host module under the lens on an ARTEMIS 2 or TRINITY (Gen. 1 & 2) combine the components as shown.

NOTE

With an artemis Gen. 1, the setup is basically identical.
Only another dovetail plate and other lightweight support are used.

SSB-1 / SSB-4**SSB-4**
K2.0044225**SSB-1**
K2.0035956**15 mm Rod****15 mm LWS**
Rod Console
(K2.65264.0)**RMB-3**
K2.0006186**Tally Host**
Module

To place the tally host module over the lens on a TRINITY 2 or TRINITY Gen. 1 combine the components as shown.

NOTE

For **TRINITY 2** you will need **SSB-4** (K2.0044225).

For **TRINITY Gen. 1** you will need **SSB-1** (K2.0035956).

4.3 To Mount the Tally Client Module

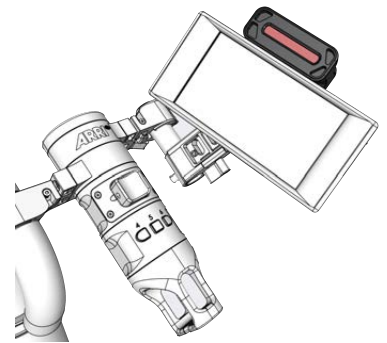
ARTEMIS Monitor

Use 3M™ **Dual Lock**™ Reclosable Fasteners SJ3550CF to place the Tally Client module on top of the monitor.



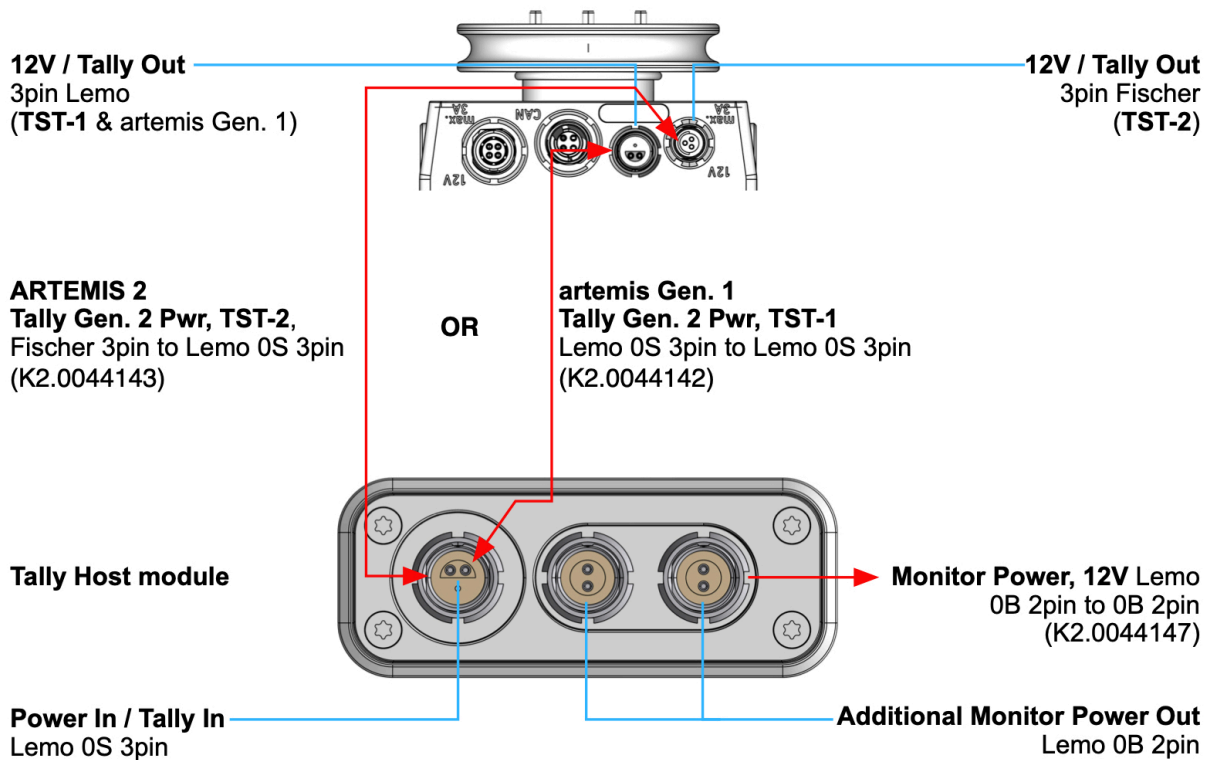
TRINITY Monitor

Use 3M™ **Dual Lock**™ Reclosable Fasteners SJ3550CF to place the Tally Client module on top of the monitor.

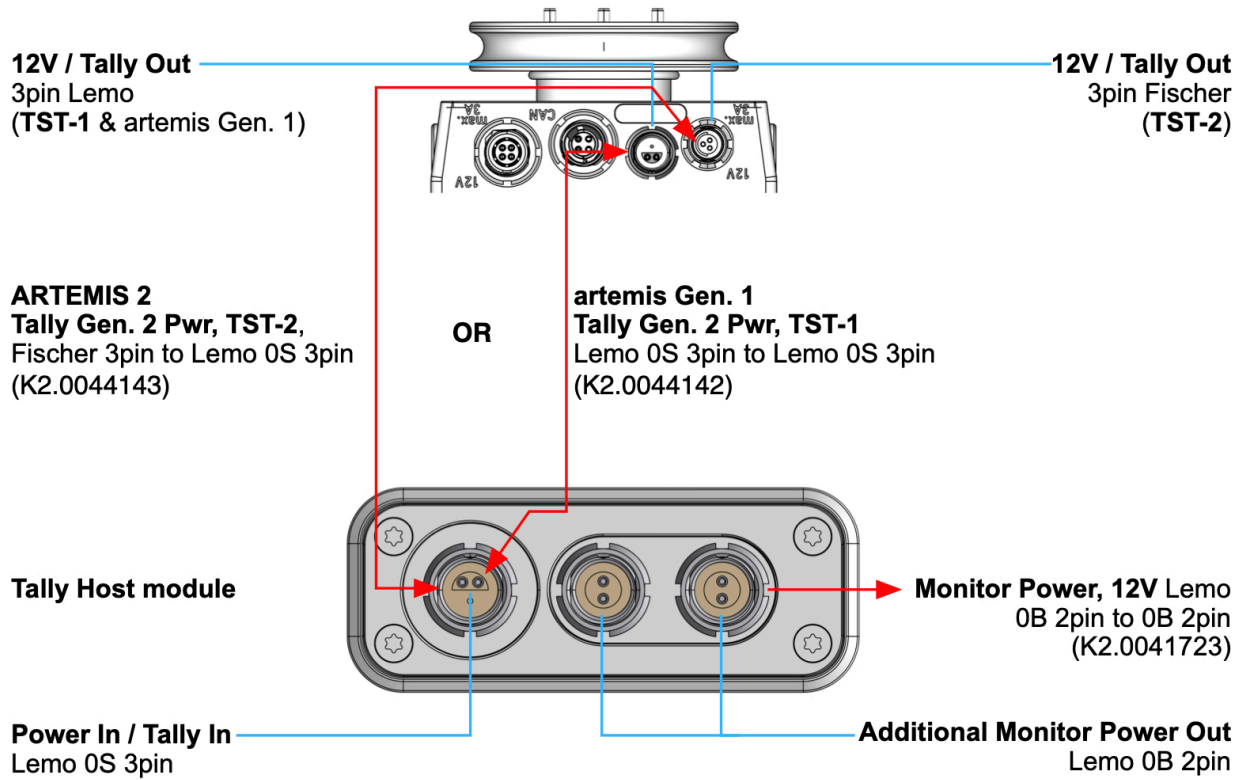


4.4 Connection to ARTEMIS

Tally Host Module (ARTEMIS 2 & 1)

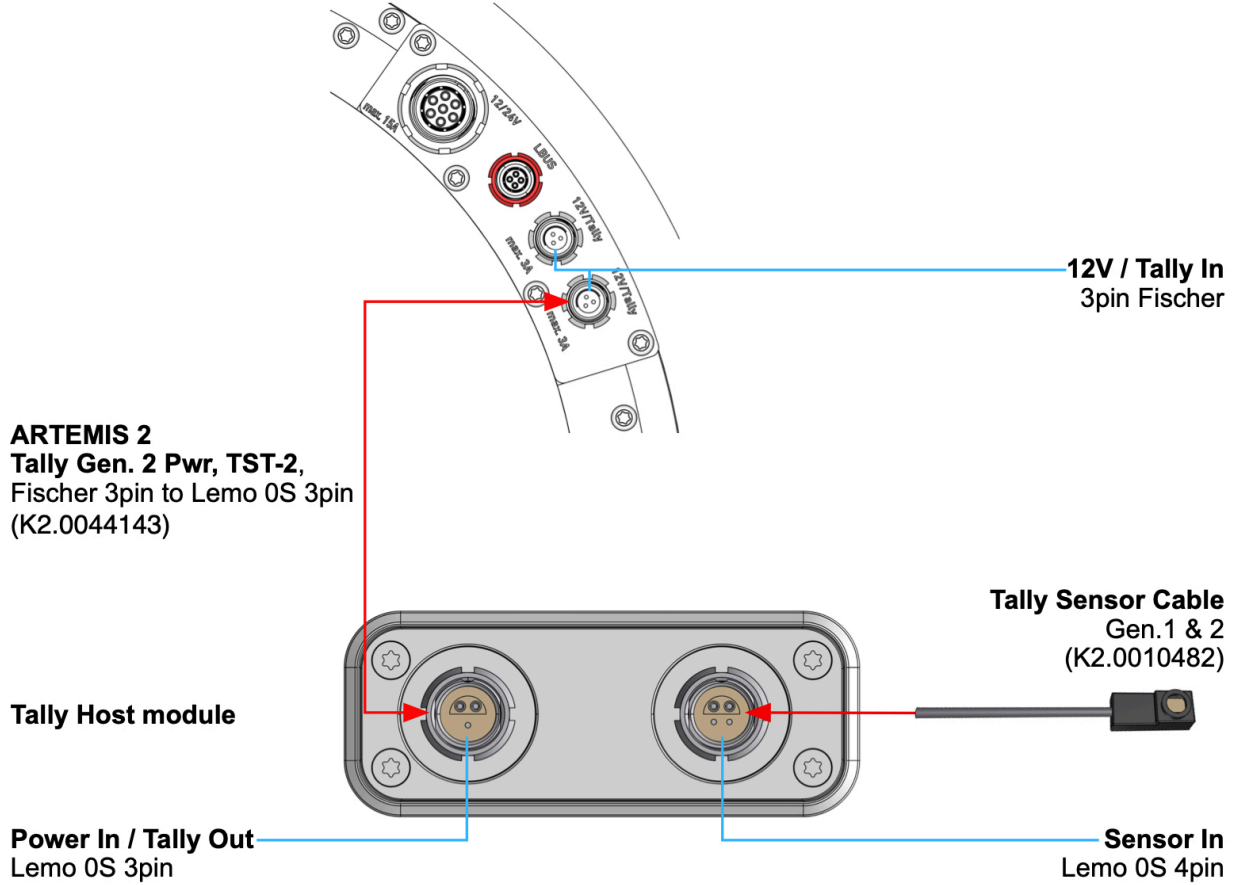


Tally Client Module (ARTEMIS 2 & 1)

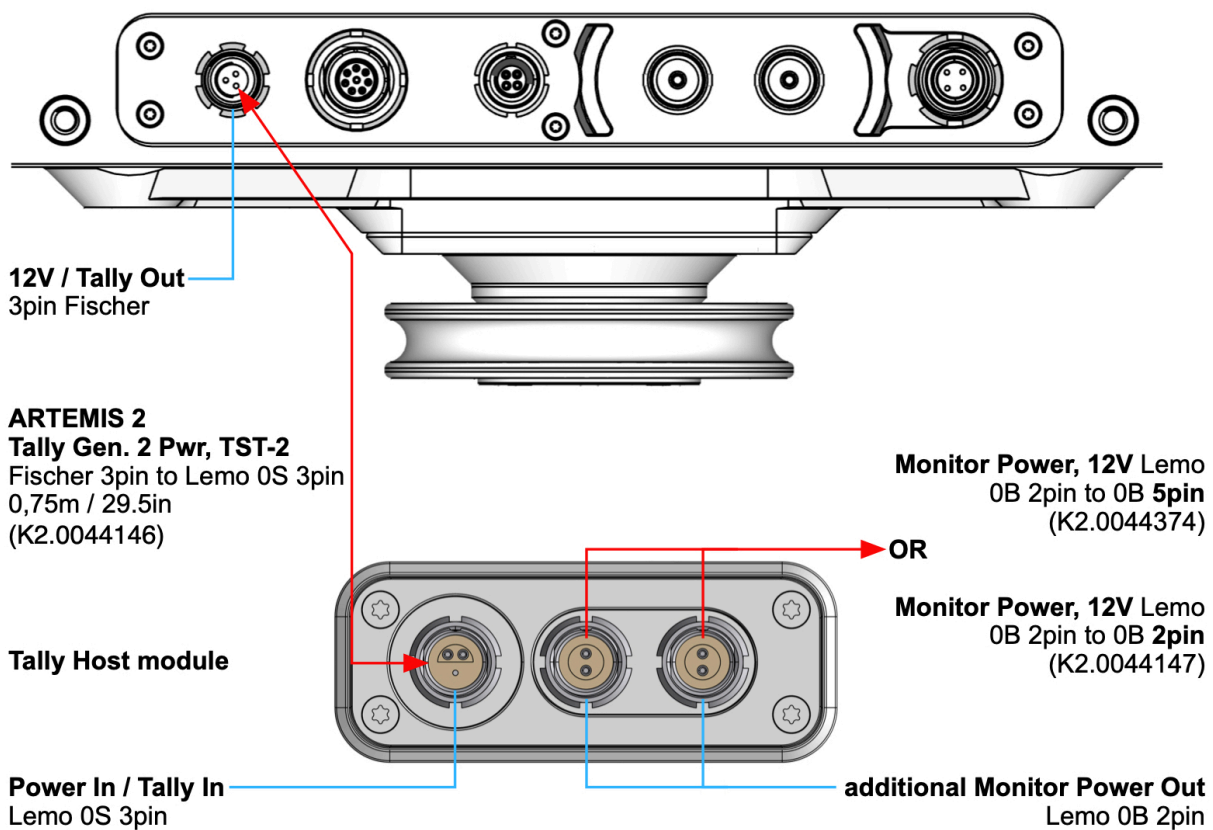


4.5 Connection to TRINITY 2

Tally Host Module (TRINITY 2)



Tally Client Module (TRINITY 2)



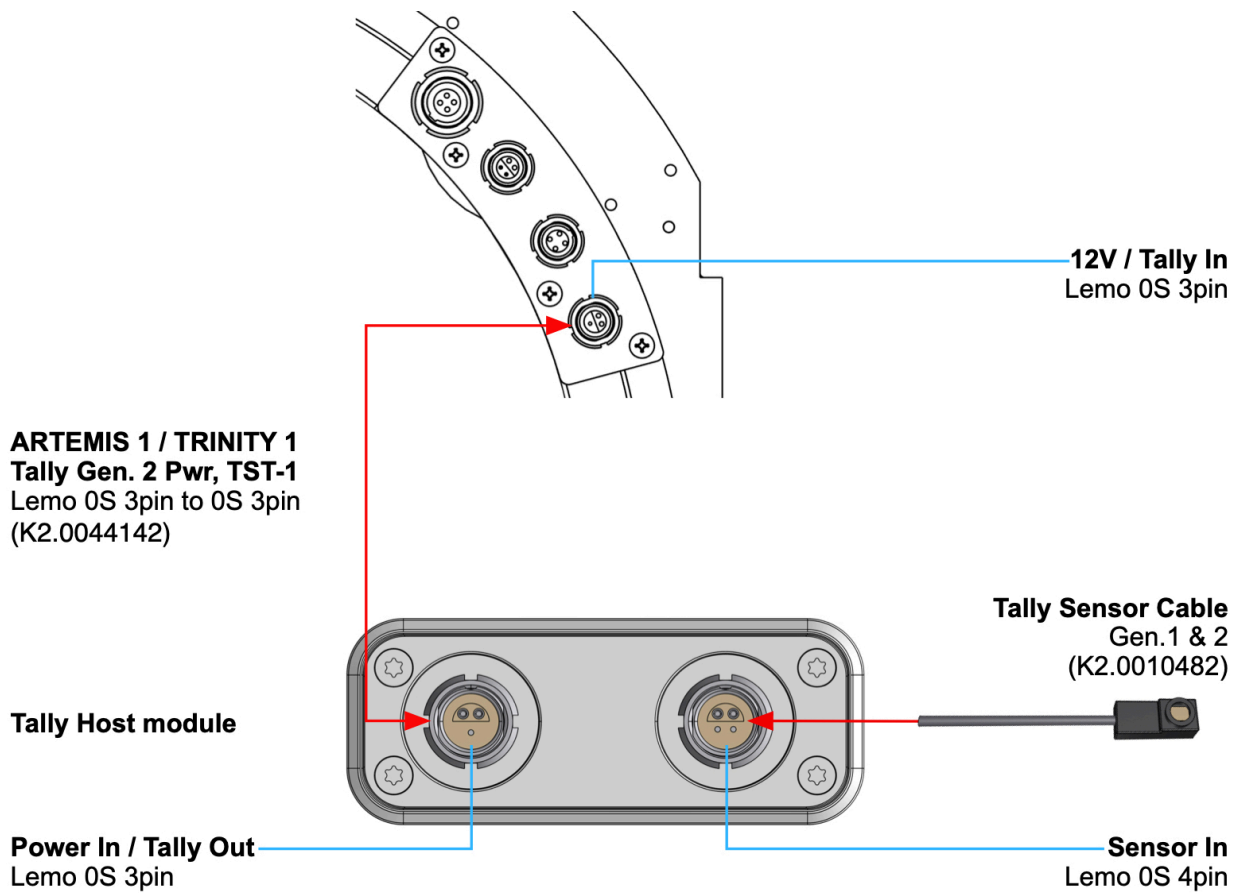
4.6 Connection to TRINITY Live or TRINITY Gen. 1

Tally Host Module

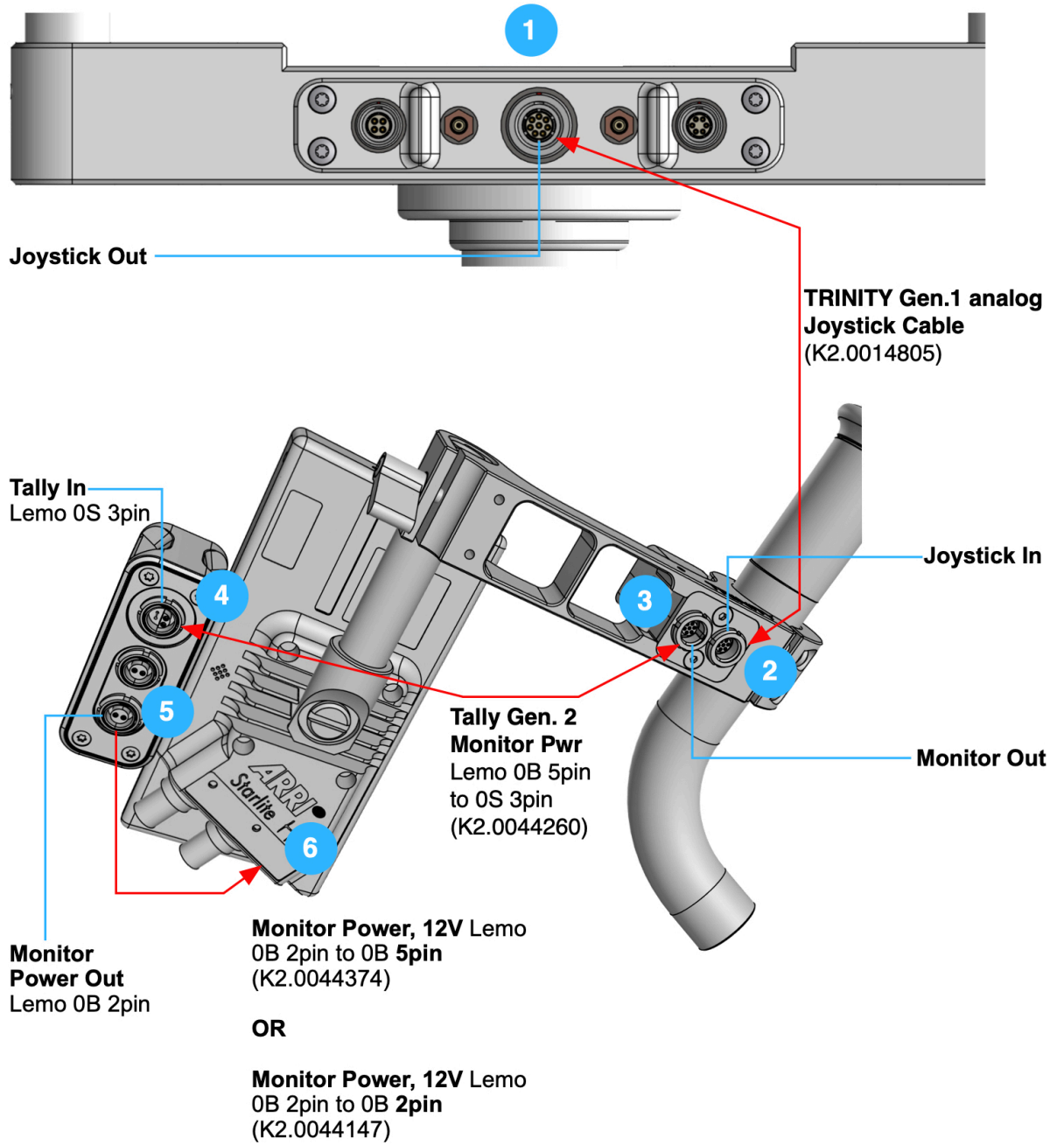
ADVICE

Any TRINITY Gen. 1 upgraded to a TRINITY Live system can communicate with the TALLY System Gen. 2.

The classic TRINITY Gen. 1 must be brought to your local ARRI service to be converted to operate with the TALLY System Gen. 2.

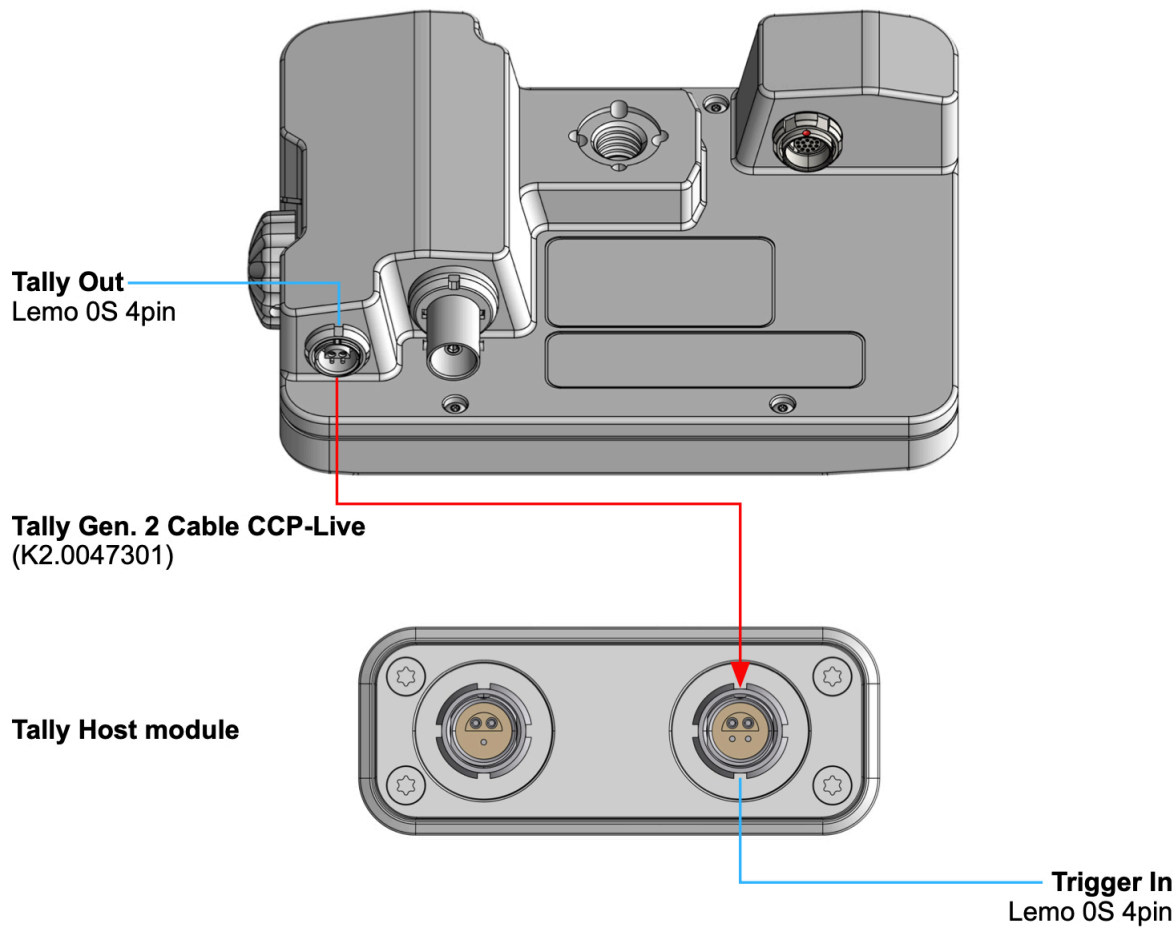


Tally Client Module



4.7 Connection to CCP-Live

Tally Host Module



4.8 Connection to Camera

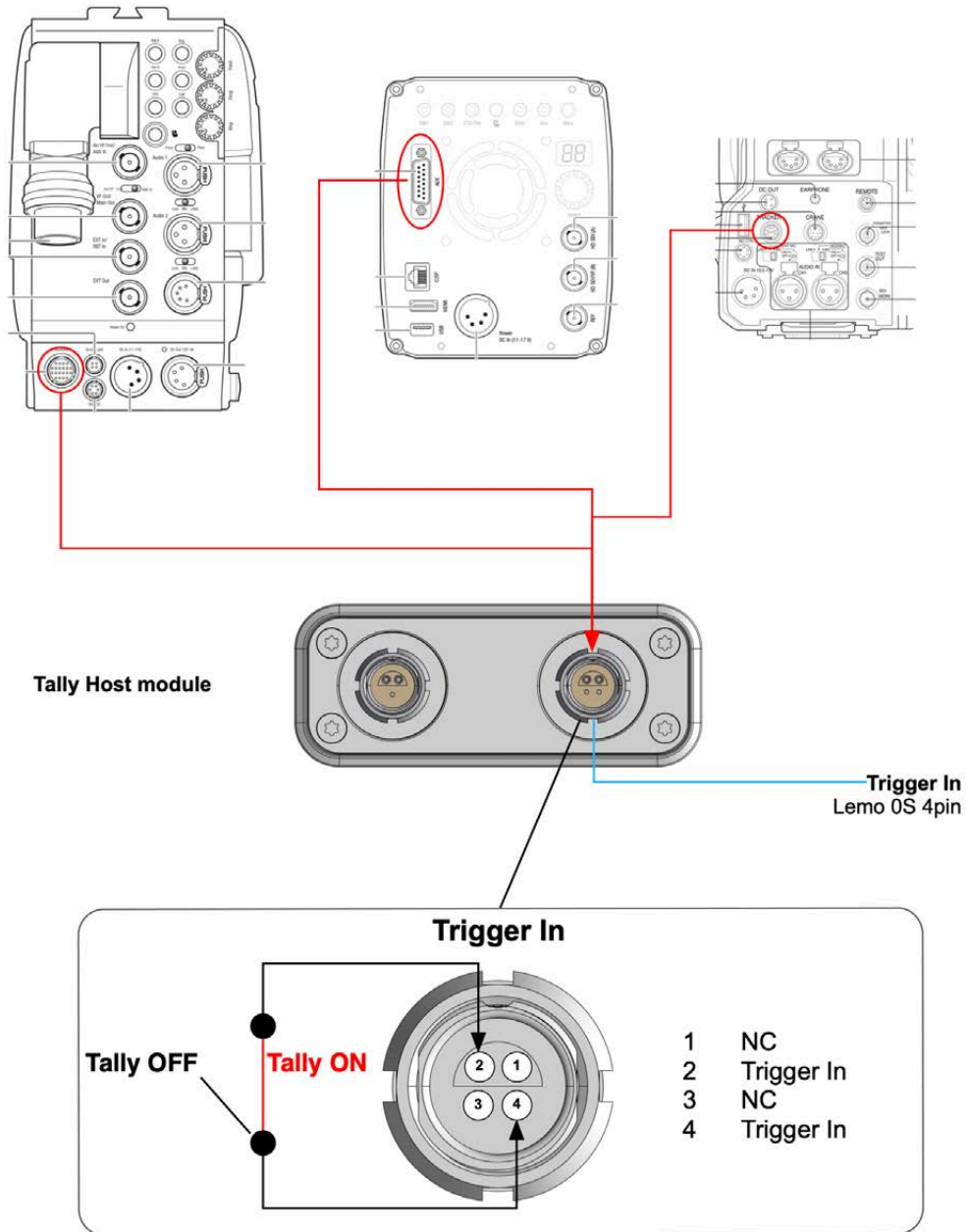
Tally Host Module

Most professional broadcast cameras offer an interface where the tally signal can be tapped.

Since there are many different sockets with different pin outs, ARRI does not offer these special cables. However, they can be produced by the respective technician in the studio or OBI Van on request.

ATTENTION

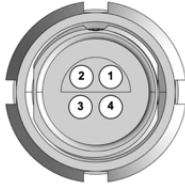
To activate the ARRI Tally System Gen. 2, the camera's tally signal must be switched to ground.



4.9 Pinout

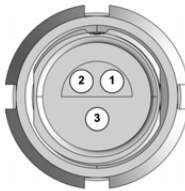
Tally Gen. 2 Host Module

Sensor / Trigger In



- 1 NC
- 2 Sensor In
- 3 NC
- 4 Sensor In

Power In / Tally Out



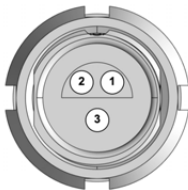
- 1 12V In
- 2 Ground
- 3 Tally Trigger

Interfaces

Sensor In	4pin Lemo / ----
Power In / Tally Out	3pin Lemo / 12V max. 300mA

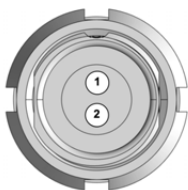
Tally Gen. 2 Client Module

Power In / Tally In



- 1 12V In
- 2 Ground
- 3 Tally Trigger

Monitor Power Out




- 1 Ground
- 2 12V Out

Interfaces

Power In / Tally In	3pin Lemo / 12V max. 2A
Monitor Power Out 2x	2pin Lemo / 12V max. 2A

5 Cleaning and Repair

Cleaning Instructions

ADVICE	
	Improper Cleaning Procedure Risk of damage of surfaces.
	<ul style="list-style-type: none">▶ Only use the cleaning agents specified in this chapter.▶ Do not use any strong or aggressive cleaning detergents like Methanol, Acetone, Benzine or acids. These chemicals may dissolve the paint on the accessories and damage highly polished surfaces.▶ Do not moisten connectors when cleaning.▶ Compressed air must not be used on the electronic accessories.


Cleaning Information

Before cleaning, remove the camera accessories from the camera and disconnect all cables.

Clean the accessories with a soft, lint free cleaning cloth and some water or glass cleaner.

Only when really necessary, e.g. to remove residues of camera tape, isopropyl alcohol should be used.


Repair

⚠ WARNING	
	Repairs carried out by Untrained Personnel Risk of injury and damage.
	<ul style="list-style-type: none">▶ Do not try to repair the device yourself. Repairs may only be carried out by authorized ARRI service partners.

For repairs and maintenance work on the TALLY System Gen. 2, please contact the [ARRI Service](#).

6 Transportation, Storage and Disposal

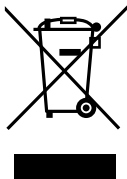
Transportation and Storage

ADVICE	
	Improper Packing and Transportation Risk of damage to the accessories.
	<ul style="list-style-type: none">▶ Unplug all cables during transport.▶ Only transport and storage the accessories in suitable cases.▶ Follow the specified environmental conditions. Do not store the accessories in places where they may be subject to temperature extremes, direct sunlight, high humidity, severe vibration or strong magnetic fields.

If you have any questions regarding the transport or storage of ARRI products, please contact the [ARRI Service](#).

Disposal

ATTENTION
The product can be returned to the manufacturer Arnold & Richter Cine Technik GmbH & Co. Betriebs KG.



This product falls within the scope of Directive 2012/19/EU OF THE EUROPEAN PARLIAMENT AND OF THE COUNCIL of June 4, 2012 on waste electrical and electronic equipment (WEEE II).

Accordingly, this product must not be disposed of with household waste. There are the respective country specific disposal rules that must be observed.

7 ARRI Service Contacts

Please see the current list of service partners at [Service contacts](#)



Arnold & Richter Cine Technik GmbH & Co. Betriebs KG
Herbert-Bayer-Str. 10
80807 Munich
Germany
+49 89 3809 2121
Business hours:
Mo. - Fr. 09:00 am - 05:00 pm (CET)
service@arri.de

ARRI Inc. / West Coast
3700 Vanowen Street
CA 91505 Burbank
USA
+1 818 841 7070
Business hours:
Mo. - Fr. 09:00 am - 05:00 pm (PT)
service@arri.com

ARRI Canada Limited
1200 Aerowood Drive, Unit 29
ON L4W 2S7 Mississauga
Canada
+1 416 255 3335
Business hours:
Mo. - Fr. 08:30 am - 05:00 pm (EDT)
service@arri.com

ARRI Asia Pte. Ltd.
164 Kallang Way, #03-01
349248 Singapore
Singapore
+65 6230 9488
Business hours:
Mo. - Fr. 9:00 am - 06:00 pm (CST)
service@arri.asia

ARRI CT Limited / London
2 Highbridge, Oxford Road
UB8 1LX Uxbridge
United Kingdom
+44 1895 457 000
Business hours:
Mo. - Thu. 09:00 - 17:30
Fr. 09:00 am - 05:00 pm (GMT)
service@arri-ct.com

ARRI Inc. / East Coast
617 Route 303
NY 10913 Blauvelt
USA
+1 845 353 1400
Business hours:
Mo. - Fr. 08:00 am - 05:30 pm (EST)
service@arri.com

ARRI Australia Pty Ltd
Suite 2, 12B Julius Ave
NSW 2113 North Ryde
Australia
+61 2 9855 4305
Business hours:
Mo. - Fr. 08:00 am - 05:00 pm (AEST)
service@arri.com.au

ARRI China (Beijing) Co. Ltd.
Chaowai SOHO Tower C, 6/F, 0628/0656
Chaowai Dajie Yi 6
Beijing
China
+86 10 5900 9680
Business hours:
Mo. - Fr. 09:00 am - 06:00 pm (CST)
service@arri.cn

ARRI Hong Kong Limited

41/F One Kowloon, 1 Wang
Yuen Street Kowloon Bay
Hong Kong
China
+852 2537 4266
Business hours:
Mo. - Fr. 09:00 am - 06:00 pm (CST)
service@arri.asia

ARRI Japan Kabushiki Kaisha

Service
Haneda Innovation City Zone K210, 1-1-4
Hanedakuko, Ota-Ku
144-0011 Tokyo
Japan
+81 3 6635 3750
Business hours:
Mo. - Fr. 10:00 am - 06:00 pm (JST)
info@arri.jp

CINEOM Broadcast DMCC.

Unit No. 2109, Jumeirah Bay Tower X2 Cluster X
Jumeirah Lakes Towers
P.O Box 414659
Dubai, UAE
+971 (0) 45570477
Business hours:
Sa. - Th. 10:00 am- 06:00 pm
arriservice.me@cineom.com

LINKA İthalat İhracat ve Dış Tic.

Distributor
Halide Edip Adivar Mah. Darülaceze Cad.
No:3 Akın Plaza Kat:5 95-96
34381 Şişli, İstanbul
Turkey
+90 2123584520
Business hours:
Mo. - Fr. 09:00 am - 06:00 pm (EET)
service@linkgroup.com.tr

ARRI Korea Limited

Kolon Digital Tower 1(#1505-06), 25
Seongsuil-ro 4 gil, Seongdong-gu
04781 Seoul
Korea
+82 (0)70 4419 6401
Business hours:
Mo. - Fr. 9:00 am - 06:00 pm (KST)
service@arri.kr

ARRI Brasil Ltda

Avenida Ibirapuera 2907 – Cj. 421, Indianópolis
04029-200 São Paulo
Brazil
+55 1150419450
Business hours:
Mo. - Fr. 09:00 am - 05:30 pm (BRT)
arribrasil@arri.com

CINEOM Broadcast India Pvt. Ltd.

C-4, Goldline Business Centre
Link Rd. Malad West
400 064 Mumbai
India
+91 (0)22 42 10 9000
Business hours:
Mo. - Sat. 10:00 am - 06:00 pm (IST)
arriupportindia@cineom.com