

# COPYRIGHT:

DEUTSCH

DIESE DRUCKSCHRIFT UND ALLE IHRE BESTANDTEILE IST URHEBERRECHTLICH GESCHÜTZT.

ABBILDUNGEN, GRAFISCHE DARSTELLUNGEN, TEXTE ODER DIE DRUCKSCHRIFT INSGESAMT ODER IN TEILEN DÜRFEN NICHT OHNE VORHERIGE SCHRIFTLICHE GENEHMIGUNG NACHGEDRUCKT ODER SONST REPRODUZIERT WERDEN (Z. B. AUF CD-ROM ODER IM INTERNET).

WENN SIE DIESE PDF-DATEI FÜR IHREN PERSÖNLICHEN GEBRAUCH VON UNSERER INTERNET-SEITE KOPIERT HABEN, MÖCHTEN WIR DARAUF HINWEISEN, DASS ALLE DORT ZUR VERFÜGUNG GESTELLTEN DATEIEN OHNE JEDEN WEITERN HINWEIS AUF DEN NEUESTEN TECHNISCHEN STAND GEBRACHT WERDEN. DIE ÄNDERUNG VON TECHNISCHEN DATEN UND LIEFERUMFANG IST DAHER VORBEHALTEN.

# COPYRIGHT:

## ENGLISH

ALL ARTWORK, PICTURES AND TEXTS ARE COVERED BY OUR COPY-RIGHT.

THEY MUST NOT BE COPIED FOR REPRODUCTION (E.G. ON CD-ROM DISKS OR INTERNET-SITES) OR USED IN THEIR ENTIRE FORM OR IN EXCERPTS WITHOUT OUR PREVIOUS WRITTEN AGREEMENT.

IF YOU ARE DOWNLOADING PDF-FILES FROM OUR INTERNET HOME-PAGE FOR YOUR PERSONAL USE, MAKE SURE TO CHECK FOR UPDATED VERSIONS.

WE CANNOT TAKE ANY LIABILITY WHATSOEVER FOR DOWNLOADED FILES, AS TECHNICAL DATA ARE SUBJECT TO CHANGE WITHOUT NOTICE.

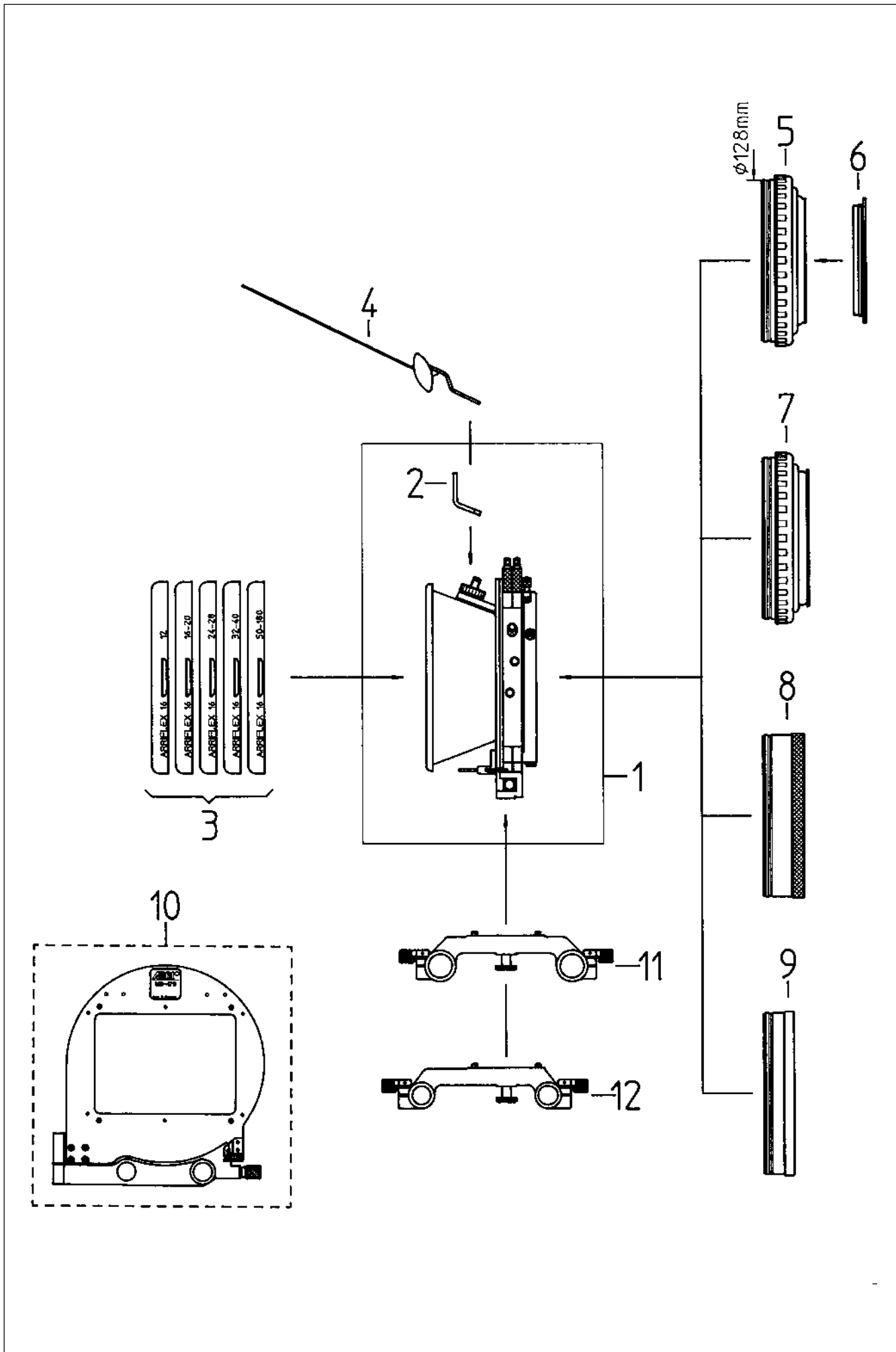
# ARRI



MB-17 B



4"x4"  
Production Matte Box MB-17 B



The 4"x4" Production Matte Box System MB-17 B

Item	Ident-No.	Description
1	K2.47247.0	4"x4" Matte box MB-17 B with french flag holder
2	K5.42156.0	French flag holder (incl. in item 1)
3	K2.45730.0	Set of masks for 35 mm 24-180 mm lenses
	K2.42119.0	Set of masks for 16 mm 12-180 mm lenses
4	K2.47286.0	Light shield
5	K2.49109.0	4 1/2" filter ring with retaining ring 87 mm dia. for Zeiss Vario-Sonnar T2/10-100 II and T2.2/11-110
6	K2.47226.0	Insert ring 80 mm dia. for prime lenses and Zeiss Vario-Sonnar T2/10-100 (item 5 necessary)
7	K2.49102.0	4 1/2" filter ring with retaining ring 95 mm dia. for Canon 7-56 and 8-64 and 11.5-138
8	K2.32903.0	4 1/2" filter ring for Zeiss Vario-Sonnar T3/10-100 and Cooke 9-50/10.4-52 and lenses with rotating frontbarrel (light shield necessary)
9	K2.32911.0	Reflex-prevention ring for Zeiss Vario-Sonnar T3/10-100 and Cooke 9-50/10.4-52 and lenses with rotating frontbarrel (light shield necessary)
	K4.47070.0	4"x4" filter frame (spare)
	K2.34577.0	3"x3" filter frame
10	K4.47628.0	Modification set MB-17 to MB-17 B
11	K2.47101.0	Adapter for bridge plate with dia. 19 mm support rods
12	K2.47102.0	Adapter for bridge plate with dia. 15 mm support rods

## 4" x 4" Production Matte Box MB-17 B

This production matte box is mounted on the lightweight support rods (LWS) and can be swung open for quicker lens changes. With the adapters item 11 and item 12 (for 19 mm and 15 mm support rods respectively) the MB-17 B can also be used on the support rods of the standard bridge plates of the 35 and 16 mm cameras.

The filter stage for two 4" x 4" filters is rotatable and the filters can be pushed through horizontally. A snap-on connection (128 mm diameter) enables the use of 4 1/2" filter rings as well as a reflex-prevention ring.

To reduce the lens-connection diameter from 87 mm (for the Zeiss Vario-Sonnar 2/10-100) to 80 mm (for prime lenses) the connecting ring (item 6) only needs to be screwed into item 5.

The slip-on carbon fiber light shield is light and compact and so can always remain in place. During breaks in shooting or when transporting a completely set-up camera, the light shield can be folded down flat against the front of the matte box to protect the filters or the front element of the lens.

Matte sets for 16 mm / 35 mm lenses and 3" X 3" filter trays are available as additional accessories. A holder for the secure attachment of french flags is included as a standard feature.

### Note:

A conversion kit (item 10) is available for older 4" x 4" matte boxes MB-17 without the swing-out feature, allowing them to be retro-fitted with the same features as described above. The modification is simple and can be carried out without difficulty.

### Technical Data:

Minimum Focal Length, 35 mm Lenses	16 mm
Minimum Focal Length, 16 mm Lenses	8 mm
Maximum Number of Filters	two 4" x 4" filters and one 4 1/2" diameter filter
Attachment to Camera	a) Lightweight Support LWS-3 K2.47107.0 b) Bridge Plate with dia. 19 mm rods adapter required (item 11) c) Bridge Plate with dia. 15 mm rods adapter required (item 12)
Dimensions item 1	206 x 191 x 87 mm / 8" x 7 1/2" x 3 1/2"
Weight item 1	610 g / 1 lb. 12 oz.
Weight item 4	150 g / 5 oz.



ARNOLD & RICHTER CINE TECHNIK

TÜRKENSTR. 89 • D-80799 MÜNCHEN • TEL. (089) 3809-0  
FAX (089) 3809-1244 • <http://www.arri.com>