



Main Features

- Up to 90% brighter, yet similar size and weight to the original L-Series
- Direct network connectivity for LAN input and light control via ArtNet and Streaming ACN
- Continuous focusability from spot to flood
- Smooth, homogenous light field
- Complete control over color and intensity
- Ultra-quiet operation due to combined passive and discreet fan cooling
- Intuitive SkyPanel Classic onboard control and user interface
- Two variants: L5-C Plus and L7-C Plus in blue-silver and black with different yoke options
- Compatible with standard barndoors and L-Series accessories

L5-C PLUS

LED spotlights with true Fresnel performance

ARRI's L-Series Plus LED spotlights feature true Fresnel characteristics: continuous focusability from spot to flood; a uniform, homogeneous light field; and up to 90% more light output compared to their predecessors in an upgraded version. The L-Series Plus benefits from the latest, highly efficient LED technology and allows complete color and intensity control of the light.

The smaller variant of the L-Series Plus, the L5-C Plus, allows for more mobile lighting and a wider range of performance classes for television studios. Thanks to its compact size and low weight, it can easily be set up in tight spaces and suspended from low ceilings. The L5-C Plus is also ideal for cramped location shoots and interview set-ups while the low heat output ensures safer working conditions.

Designed to be robust and ergonomic, L-Series Plus fixtures live up to the quality and reliability standards for which ARRI is known. Their build quality and flexibility make them suitable for a wide range of use cases, from continuous studio lighting and location work on movies and television to live entertainment, photography, theater, and corporate productions.

Models

Version	Mounting	Color
L5-C Plus	Manual	■ blue/silver
L5-C Plus	Manual	■ black
L5-C Plus	Pole Operated	■ blue/silver
L5-C Plus	Pole Operated	■ black
All versions include	on-board control panel 16 mm / 28 mm Combo pin	

Available Accessories

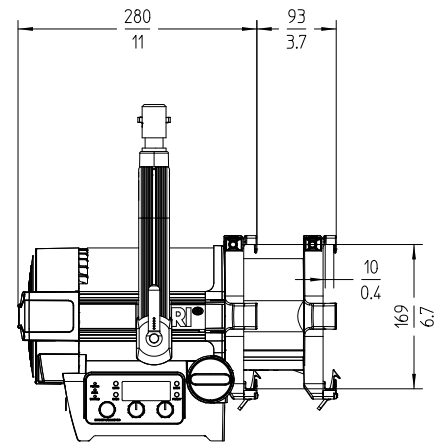
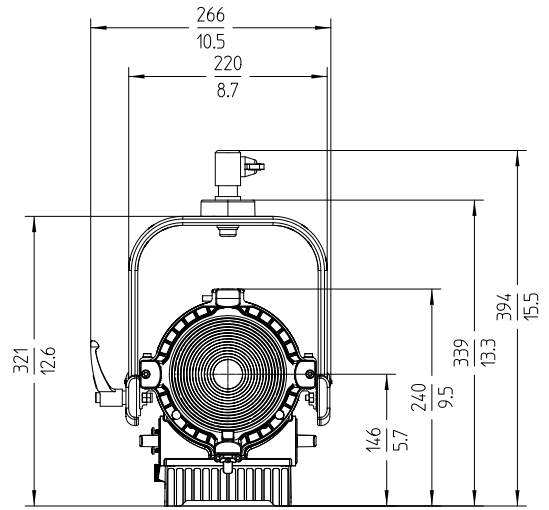
8-leaf barndoor	Chimera Lightbank
4-leaf barndoor	Softbox adapter
Filter frame	Cables
Snoot	Safety cable

Apps

- ARRI Stellar
- ARRI Photometrics

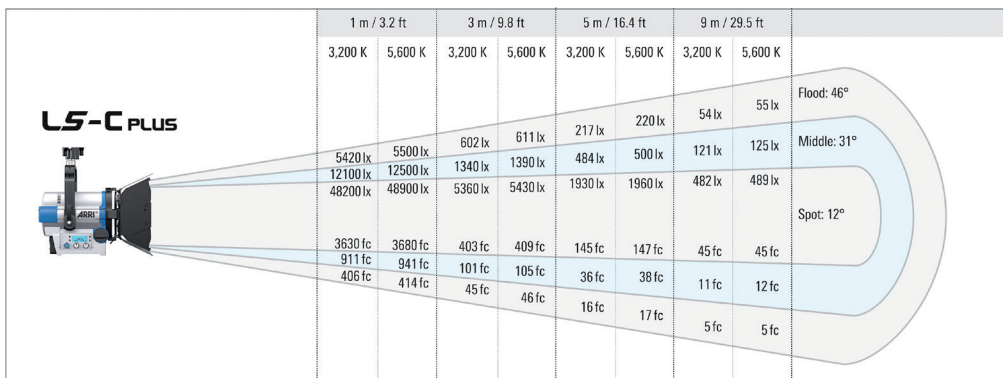
Specifications L5-C Plus

Type of Lamphead	LED Fresnel
Optical System	focusable Fresnel
Light Aperture	137 mm / 5"
Beam Angle	12° to 46° half peak angle
Lamp Type	100 W RGBW LED light engine
White Light	2,800 K to 10,000 K continuously variable correlated color temperature
Colored Light	full RGB+W color gamut with hue and saturation control
Green-Magenta Adjustment	continuously adjustable (full minusgreen to full plusgreen)
Color Rendition	CRI average > 92 TLCI average > 86
Color Temperature Tolerance	+/- 100 K (nominal), +/- 1/8 green-magenta (nominal)
Dimming	0 to 100 % continuous
Mechanical	
Versions	manual, pole operated
Handling	adjustable sliding stirrup high-strength tilt lock pole operation (pan, tilt, focus)
Mounting	16 mm / 28 mm Combo pin
Housing Color	blue/silver, black
Tilt Angle	+/- 90°
Weight - Manual	5.4 kg / 11.9 lbs
Weight - Pole operated	7.3 kg / 16.0 lbs
Control Options	
Control	on-board controller, EtherCon in & through, 5-Pin DMX in & through via adapter cable, USB-A
LAN / EtherCon	control and configuration via Art-Net, sACN, web page control of light and settings via HTTP
DMX / RDM via adapter cable	DMX setup, hour counter, standard & manufacturer RDM commands
Software Interface - USB Type A	fixture service and settings configuration, fixture status, firmware upgrade through PC or Mac using ALSM
Wireless Interface	via third party receiver
Electrical	
Power Supply Range	100 - 240 V~, 50 - 60 Hz
Power Consumption	135 W maximum
Lamphead Power Connection	In and Through, powerCON® TRUE1 compatible
Power Switch	on/off switch on cable
Daisy-chain	Yes, power and data (powerCON® TRUE1 and EtherCON® compatible)
Protection Class / IP Rating	I / IP20
Ambient Temperature Operation	-20 to +45° C (-4 to +113° F)
Estimated LED Lifetime (L70)	50,000 hours
Estimated Color Shift Over Lifetime (CCT)	+/- 5 %
Certifications & Declarations of Conformity	CE, UKCA, CB, ENEC, cNRTLus, FCC, PSE



Preliminary data.
All specifications are nominal / typical values.
Subject to change without notice.

Photometric Data



Download ARRI Photometrics from the App Store and Google Play to quickly reference the photometric characteristics of all of the ARRI light fixtures.