

MAXIMA QL

USER MANUAL

Date: 29. Jan. 2018



Imprint

Copyright © 2018 Arnold & Richter Cine Technik GmbH & Co. Betriebs KG.
All rights reserved.

No parts of this document may be reproduced without prior written consent of Arnold & Richter Cine Technik GmbH & Co. Betriebs KG. Specifications are subject to change without NOTE.

Errors, omissions, and modifications excepted. ARRI, ALEXA, AMIRA, LDS and LENS DATA SYSTEM are trademarks or registered trademarks of Arnold & Richter Cine Technik GmbH & Co. Betriebs KG. All other brands or products are trademarks or registered trademarks of their respective holders and should be treated as such. Original version.

For further assistance:

Arnold & Richter Cine Technik GmbH & Co. Betriebs KG
Türkenstr. 89
80799 München
Germany
www.arri.com

Document revision history

Version	Order Code	Release	Date
3.0	K4.0019241	F06606	29. Jan 2018
1.0			01. Oct 2017

Scope

This manual is only focusing on the components and the setup of the **MAXIMA QL**.

The Control Software the so called GUI is available as a separate manual.

You can find this manual on the USB stick or on the ARRI CSS web page in the download area.

Disclaimer

Before using the products described in this manual, be sure to read and understand all the respective instructions.

Otherwise the customer must contact ARRI before using the product.

While ARRI endeavors to enhance the quality, reliability and safety of their products, customers agree and acknowledge that the possibility of defects thereof cannot be eliminated entirely. To minimize the risk of damage to property or injury (including death) to persons arising from defects in the products, customers must incorporate sufficient safety measures in their work with the system and heed the stated conditions of use.

ARRI or its subsidiaries do not assume any responsibility for losses incurred due to improper handling or configuration of the MAXIMA QL or other system components.

ARRI assumes no responsibility for any errors that may appear in this document. The information is subject to change without NOTE.

For product specification changes after this manual was published, refer to the latest published ARRI data sheets or release notes, etc., for the most up-to-date specifications.

Not all products and/or types are available in every country. Please check with an ARRI sales representative for availability and additional information.

Neither ARRI nor its subsidiaries assume any liability for infringement of patents, copyrights or other intellectual property rights of third parties by or arising from the use of ARRI products or any other liability arising from the use of such products. No license, express, implied or otherwise, is granted under any patents, copyrights or other intellectual property right of ARRI or others.

ARRI or its subsidiaries expressly exclude any liability, warranty, demand or other obligation for any claim, representation, cause, action, or whatsoever, express or implied, whether in contract or not, including negligence, or incorporated in terms and conditions, whether by statute, law or otherwise. In no event shall ARRI or its subsidiaries be liable for or have a remedy for recovery of any special, direct, indirect, incidental, or consequential damages, including, but not limited to lost profits, lost savings, lost revenues or economic loss of any kind or for any claim by a third party, downtime, goodwill, damage to or replacement of equipment or property, any cost or recovery of any material or goods associated with the assembly or use of our products, or any other damages or injury of the persons and so on or under any other legal theory.

In the event that one or all of the foregoing clauses are not allowed by applicable law, the fullest extent permissible clauses by applicable law are validated.

Table of contents

1 For your safety	4
2 System Components	5
3 General Safety Instructions	7
4 Camera Preparation	9
5 MAXIMA Preparation	11
6 Changing from Standard to Advanced Mode	13
7 Default User Presets	14
8 Troubleshooting	15
9 MAXIMA Accessories	16
10 Pin Out	19
11 CE / FCC	20

1 For your safety

Before use, please ensure that all users comprehensively read, understand, and follow the instructions in this document.

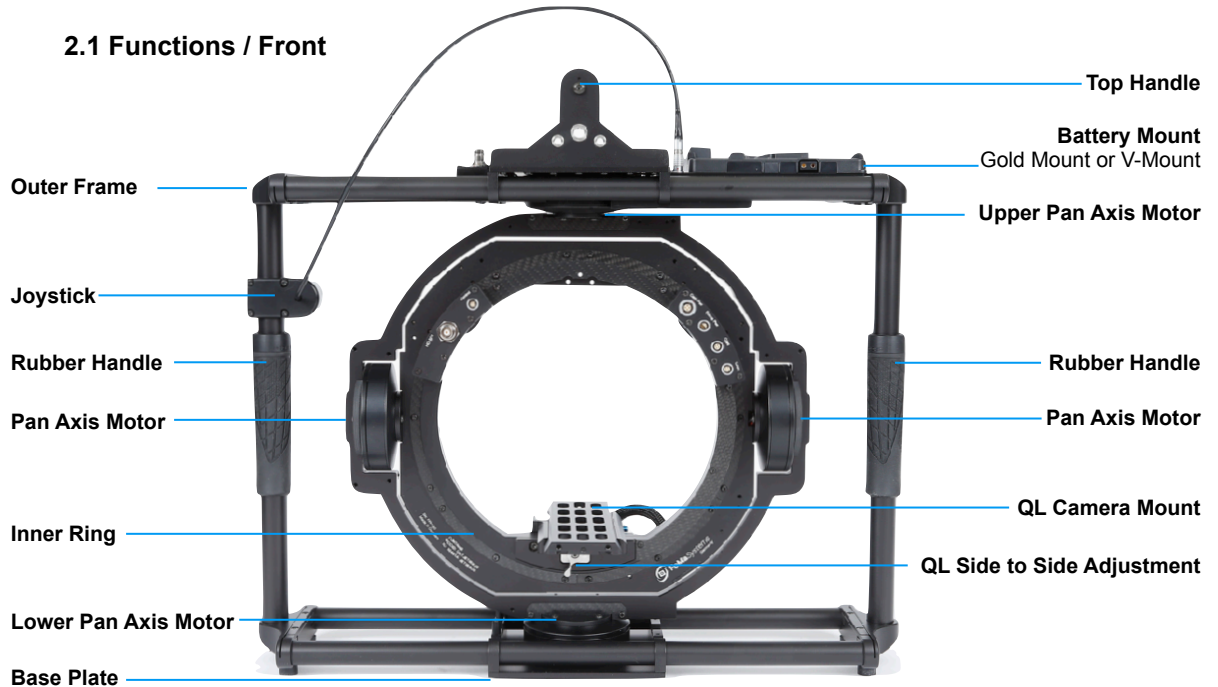
Risk levels and alert symbols

Safety warnings, safety alert symbols, and signal words in these instructions indicate different risk levels:

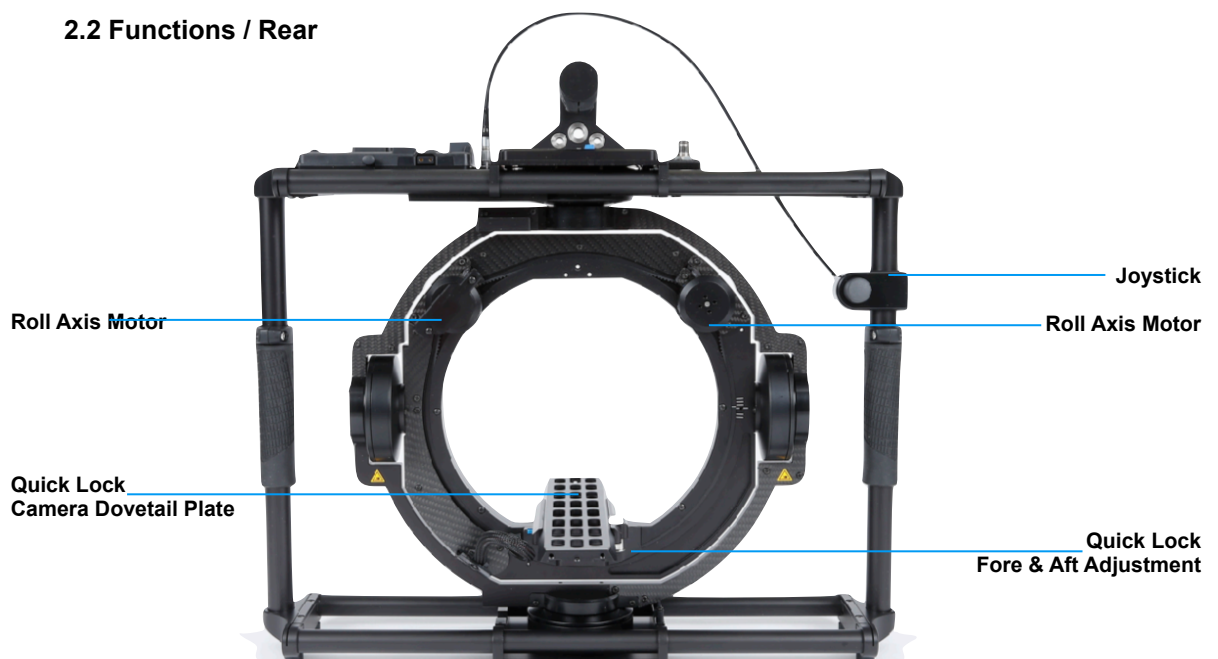
⚠ DANGER
<i>Danger</i> indicates an imminent hazardous situation which, if not avoided, will result in death or serious injury.
⚠ Warning
<i>WARNING</i> indicates a potentially hazardous situation which, if not avoided, may result in death or serious injury.
⚠ CAUTION
<i>CAUTION</i> indicates a potentially hazardous situation which, if not avoided, may result in minor or moderate injury.
NOTICE
<i>NOTE</i> explains practices not related to physical injury. No safety alert symbol appears with this signal word.
NOTE
Provides additional information to clarify or simplify a procedure.

2 System Components

2.1 Functions / Front



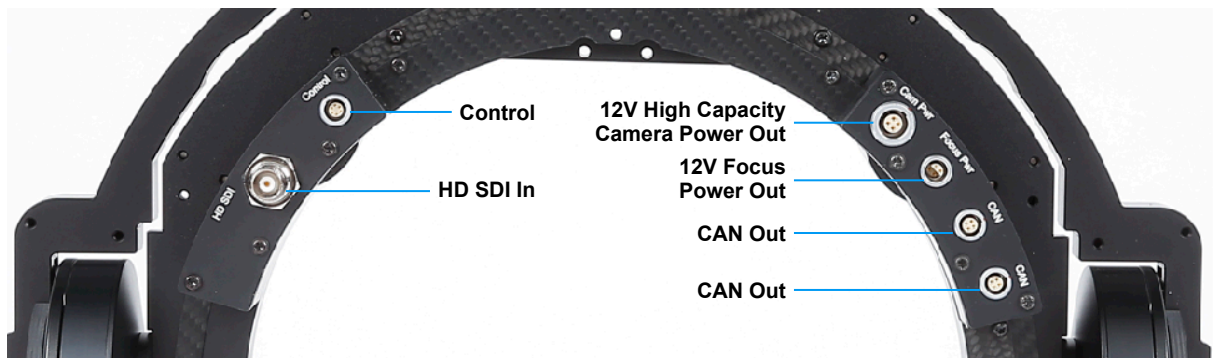
2.2 Functions / Rear



2.3 Functions / Top



2.4 Connectors right and left junction box



2.5 Cam Pwr:

The 12V high capacity Camera Power (max 10Amp) can be used with following cables:

Cam Power / Cine / 12V HiCap / ALEXA	K2.0010538
Cam Power / Cine / 12V HiCap / ALEXA Mini	K2.0010540
Cam Power / Cine / 12V HiCap / ALEXA Mini / 90°	K2.0010565
Cam Power / Cine / 12V HiCap / Red EPIC	K2.0010472

2.6 Focus Pwr:

The 12V Focus Power (max 10Amp) socket can be used with:

Focus Power / ARRI & cmotion

K2.0010548

2.7 HD SDI BNC:

The 3GHz HD SDI BNC socket can be used with:

BNC Video Cable / HD SDI / 4.5 GHz

K2.0010476

2.8 Can Bus**NOTE**

This function will be available through future upgrades.

⚠ Warning

**Do not connect any Video Power Cables to this Socket.
Do not connect any L-Bus Motors, or other LBUS products.
to this connector, until your MAXIMA had been updated to LBUS.**

2.9 Control:**NOTE**

This function will be available through future upgrades.

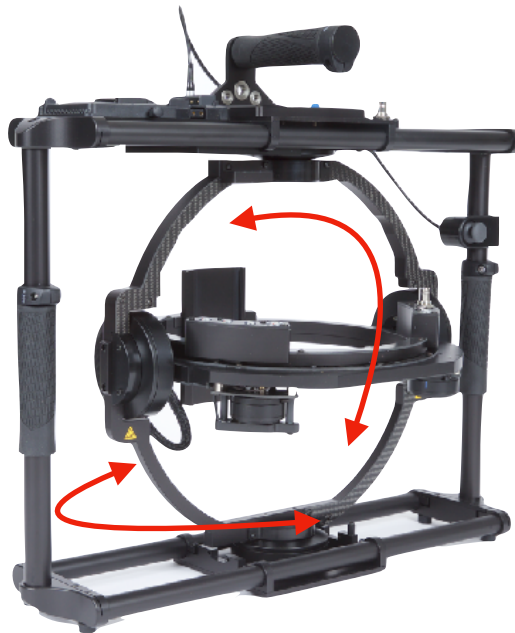
⚠ Warning

Do not connect the Joystick plug to this socket!

3 Safety Instructions

⚠ Warning

The MAXIMA QL contains two separate rings, one for Pan and one for Tilt. Both rings can move freely when the MAXIMA is moved out of the hard case and as long the system is not finally setup.



⚠ DANGER

Ensure that the MAXIMA is switched OFF. Under no circumstances push fingers or other limbs in between the moving parts of the MAXIMA as this can result in injury.

⚠ DANGER

Pay attention during setup that no fingers or other limbs end up between the outer and inner ring. A high kinetic force can result between the outer and inner ring, depending on the weight and length of the camera. Serious injuries can result through negligence. If this does happen then, cut off the power supply straight away and seek medical attention if necessary.

⚠ CAUTION

Please check the MAXIMA QL for proper functioning prior to each use and while considering the operating instructions. An operation without problems can only be ensured in this manner.

Only use the lithium batteries provided. Batteries which are not approved can lead to shorts and to damages of the MAXIMA QL. NiMH batteries must not be used.

Place the batteries into the holder provided cautiously and with care. Check the contacts for damage beforehand. Do not subject the MAXIMA QL to humidity and do not immerse it into water. Do not short any contacts or modify the power supply or the electronics under any circumstances.

4 Camera Preparation

Foreword

The entire balancing procedure of the MAXIMA QL system is based on **SYMMETRY** and **NEUTRAL BALANCE**.



NOTE

Only a precisely executed camera preparation will enable you to get the best performance out of the MAXIMA QL.

The camera preparation must meet the following requirements:

Compact length

You should keep the COG (center of gravity) of the MAXIMA QL as low as possible and the total length of the camera should be as compact as possible.

If an ALEXA Mini is being used, a Zoom Lens similar to the ARRI/ FUJINON Alura 15.5-45/T2.8 will keep the Camera setup at an optimum length.

If the ARRI ALEXA or AMIRA is being used a Prime Lens will be required.

Most box type cameras with a zoom lens are very close to the length of a full bodied camera with a prime lens.

Low COG (center of gravity)

Any accessories mounted to the camera should be attached as low as possible.

Symmetry

Camera components and accessories that are mounted on the camera have to be attached in **symmetrically** and **balanced**.

For example:

If two Focus Motors are needed, use two 15mm rods (equal length and same material) and mount them on the base of the camera.

Now place one Focus Motor on each rod. Make sure that the gears are facing the front of the lens and the motor housing of the camera body.

If only one Focus Motor is required then two rods are also required. Place the Focus Motors vertical below the lens.

This way you can achieve the need for a low COG and symmetry



Setup with two motors



Setup with one motor

4.1 Secure Component / Accessory Attachment

▲ CAUTION

Keep in mind the MAXIMA QL head is a fully stabilized Gimbal with a payload capacity of 30kg / 66 lb. The amount of available torque is very high.

NOTE

Make sure that all components of the camera and accessories in the setup are fully tightened.

Ensure that none of the components are loose or have any play to avoid vibration and costly performance issues.

▲ CAUTION

Please double check all clamps are tight and that all components are fitted correctly.

Ensure that MAXIMA QL is switched OFF.



4.2 Mounting the Camera Dovetail Plate

The MAXIMA QL comes with a symmetric camera dovetail plate, the so called Quick Lock plate.

▲ CAUTION

Always use two 3/8" or 1/4" screws to ensure a solid fit.
Use always two 3/8" or 1/4" screw to ensure a solid fit.
Using only one screw or a short distance between the screws will force sidewise rotation of the camera, as also vibration of the entire system.
So try to maximize the distance in between the camera screws.

NOTE

Using the SAM1, SAM2 and the SAM3 plates will speed up the later balancing process and guarantee the best performance of the MAXIMA QL.



SAM-1 Stabilizer Adapter Mount for
ALEXA
K2.0014022



SAM-2 Stabilizer Adapter Mount for
ALEXA Mini
K2.0014215



SAM-3 Stabilizer Adapter Mount for
AMIRA
K2.0014630

5 Preparing the Quick Lock Camera Mount

The MAXIMA QL comes with a Quick Lock mounting mechanism. It offers one clamp mechanism for the Camera Dovetail Plate located at the right back of the mount and a side to side adjustment located at the front of the mount.

⚠ DANGER

**Ensure that the MAXIMA is switched OFF.
Under no circumstances push fingers or other limbs in between the moving parts of the MAXIMA as this can result in injury.**

5.1 Centering the Quick Lock Camera Mount

NOTE

Make sure that the side to side adjustment is in a center position before you start with the balancing procedure. To move the Quick Lock Camera Mount left and right, the clamp lever at the front Quick Lock Camera Mount has to be open.



NOTE

Make sure that the clamp is tightened after the adjustment has been done.

5.2 Opening the Quick Lock Camera Mount

To open the Quick Lock Camera Mount clamp mechanism, open the clamp lever on the right side at the back of the Quick Lock Camera Mount.



After you opened the clamp mechanism you can slide in the camera dovetail plate inside the ring.

NOTE

It may be necessary to detach some accessories to mount the camera inside the MAXIMA QL ring. These can be reattached after the camera is mounted.

NOTE

When adding or removing components from the camera, adjust the fore and aft to bring the camera into a neutral and horizontal position.

NOTE

To remove the camera dovetail plate, you will need to push the safety lock, to be able to release the plate.

NOTE

Make sure that the camera is always level front to back with the COG fully neutral when the camera is horizontally adjusting fore and aft.

NOTE

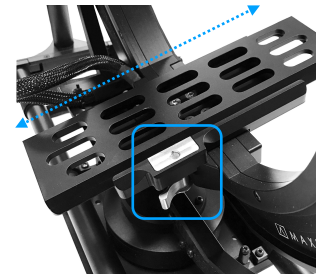
When adding or removing components from the camera adjust the fore and aft to bring the camera into a neutral and horizontal position.

5.3 Balancing the camera

Fore and Aft

To get the entire system in a neutral balance, the **COG** of the camera has to be positioned right in the center of the main ring.

The clamp mechanism allows you to adjust the fore and aft adjustments to move the camera in into its **COG** (center of gravity).



NOTE

Before you finally tighten the camera plate, please move the entire camera fore and aft until the camera stays horizontal.

NOTE

Make sure that the clamp mechanism is fully tighten after the fore and aft adjustment. A slightly loose screw will produce vibrations.

Side to Side

At the front of the QL mount, you will find the clamp mechanism for the side to side adjustment.

You should always try to keep the camera setup as symmetrical as possible.

But if the camera is still too heavy on any side, you should use the side to side adjustment, to get the camera sidewise in perfect **COG**.



NOTE

Make sure that the clamp mechanism is fully tighten after the fore and aft adjustment. A slightly loose clamp will produce vibrations.

▲ DANGER

Ensure that the MAXIMA is switched OFF.
Under no circumstances push fingers or other limbs in between the moving parts of the MAXIMA as this can result in injury.

5.4 Powering the MAXIMA QL

The MAXIMA QL is available with Gold Mound and with V-Mount battery mounts.

NOTE

Do not use any low quality batteries from unknown manufactures

To power the MAXIMA QL, the camera and accessories, minimum a 150 Watt battery is needed.

5.5 Connect the camera with the required power cable.

NOTE

Make sure all power and video cables go through the inner ring.



5.5 Switch on the MAXIMA QL.

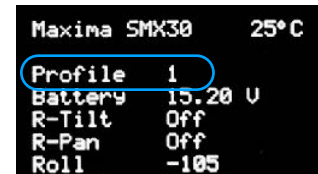
6 Controls and adjustments operated directly on the MAXIMA QL

6.1 Changing Profiles

By pressing MODE **one time**, you will recall profile number **ONE**.

By pressing MODE **twice**, you will recall profile number **TWO**.

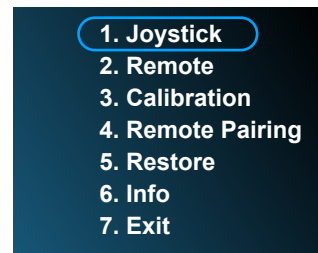
And so on.



6.2 Changing the Joystick Direction

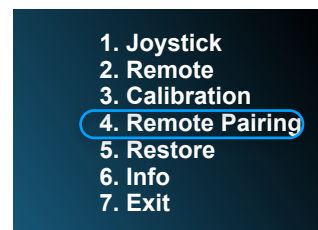
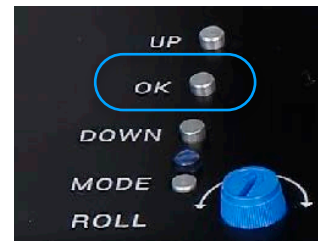
Operated directly on the TRINITY

- Press **OK** until Joystick is displayed
- Press **OK**
- Select: Normal - Inverted - Off by pressing **UP** or **DOWN**
- Press **OK** to confirm your selection



6.3 Pairing the Wireless Remote Control

- First switch **Off** the Remote Control!
- Press **OK**
- Press Down until you see **Remote Pairing**
- Press **OK**
- Now the MAXIMA will start a **10 sec. count down**.
- After **5 sec.** the MAXIMA will beep.
- Switch **ON** the wireless Remote Control.
- Now the Remote will be paired



7 Default User Presets

The MAXIMA supplied with this five Default User Presets, which are programmed for camera setups up to 10 Kg / 22 lb.

Profile	Motor Power	Tilt	Pan	Feels	Good for
1	45	Follow	Follow	Very direct	Handheld Look
2	45	<i>Fully Stabilized</i>	Follow	Very direct	Handheld Look
3	45	Follow	Follow	Less direct	Easy Rig / running shots
4	45	<i>Fully Stabilized</i>	Follow	Less direct	Easy Rig / running shots
5	45	<i>Fully Stabilized</i>	<i>Fully Stabilized</i>	Very direct	To be used with the wireless control or wheels

NOTE

To be able to change any of this adjustment, you need to install the FoMa Control software and you need to read the User Manual GUI.

The manual is available on the USB stick and on the ARRI CSS web page in the download area.

8 Troubleshooting

8.1 Service Information

For Service and Remote Access we will need to know the firmware version and serial number.

- Press **OK**
- Press **DOWN** until **Info** is displayed
- Press **OK** to confirm
- Now you can see the required information

1. Joystick
2. Remote
3. Calibration
4. Remote Pairing
5. Restore
6. Info
7. Exit

8.2 Restore Sensors

If the MAXIMA is hard to control or having troubles holding its position, it will be helpful to reset the sensors.

- Press **OK**
- Press **DOWN** until **Restore** is displayed
- Press **OK** to confirm
- Press **DOWN** until **Sensors** is displayed
- Press **OK** to confirm

1. Joystick
2. Remote
3. Calibration
4. Remote Pairing
5. Restore
6. Info
7. Exit

⚠ CAUTION

Do not touch or move the MAXIMA while you restore the Setting! Wait until the MAXIMA is back in operation.

8.3 Restore Settings

If you are working with a rental unit, it will make sense to restore the MAXIMA / TRINITY to factory setup.

This will ensure that you will not be confronted with any unknown settings.

- Press **OK**
- Press **DOWN** until **Restore** is displayed
- Press **OK** to confirm
- Press **DOWN** until **Setting** is displayed
- Press **OK** to confirm

1. Joystick
2. Remote
3. Calibration
4. Remote Pairing
5. Restore
6. Info
7. Exit

⚠ CAUTION

Do not touch or move the MAXIMA while you restore the Setting! Wait until the MAXIMA is back in operation.

8.4 Remote Access

The service team can remotely access the MAXIMA or TRINITY. To enable us to access your MAXIMA or TRINITY, you need to install the „TeamViewer“ software on your PC first.

<https://www.teamviewer.com>

Then you need to contact the ARRI service.

NOTE

You will need a stable internet connection.



TeamViewer

9 MAXIMA Accessories

9.1 Mounting the Top Holder (K2.0010336)

NOTE

A 4mm 5/32" hex key is needed.

Open and remove the screw on the top of MAXIMA QL, which secures the top handle.

Remove the Top Handle.

Engage both hooks of the Top Mount with the rod at the back of the MAXIMA QL.

Bring back the screw and tighten it.

⚠ CAUTION

Make sure that the screw is fully tightened.



9.2 Mounting the Spider (K2.0010425)

NOTE

A 4mm 5/32" hex key is needed.

Open all eight M4 screws and remove all four top covers of the Spider.

Place the bottom of the MAXIMA QL inside the Spider.

Place the four top covers of the Spider onto the bottom rods of the MAXIMA QL and tighten the eight screws.

⚠ CAUTION

Do not over tighten the 8 screws.

NOTE

You can mount three different adapters at the bottom of the Spider.

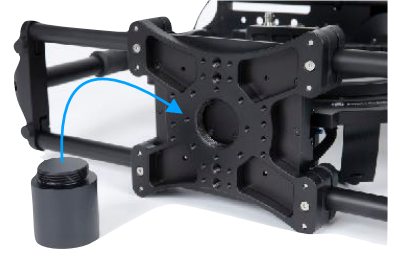


9.3 Cone Mount

If you want to use the MAXIMA QL with an artemis spring arm or any other arm using a $\text{Ø } 5/8''$ (15.8 mm) arm posts, you need to attached the included Cone Mount.

NOTE

For use with a spring arm, the 10" arm post (K2.0010455) is needed, to ensure enough clearance between the frame of the MAXIMA QL and the arm chassis.



9.4 Euro Mount

If you want to use the MAXIMA QL with an Euro Mount (K2.0010426), you need to attach the optional Euro Mount to the bottom of the Spider.

NOTE

A 4mm 5/32" hex key is needed.

Place the Euro Mount right in the center of the spider, as shown.

NOTE

Place the four screws and ensure that all screws are tightened.



9.5 Mitchell Mount

If you want to use the MAXIMA QL with an Mitchell Mount (K2.0010427), you need to attach the optional Mitchell Mount at the bottom of the Spider.

NOTE

A 4mm 5/32" hex key is needed.

Place the Mitchell Mount right in the center of the spider, as shown.

Place the four screws and ensure that all screws are tightened.



9.6 Mounting Plate

If you need to add more accessories to the top of the MAXIMA QL, you need to add the Maxima Mounting Plate (K2.0014909).



Place the plate onto the top right of the MAXIMA QL.

The three screws can be reached from the bottom.



9.7 Pan Lock

From time to time you might need a more „handheld“ look. So it will be necessary to lock the pan axis of the MAXIMA QL.



The Maxima Pan Lock (K2.0014908) will allow you to lock the pan axis.

Open both Clamps and place the bracket onto the rods. move the Bracket under the outer ring and tighten the clamp screws.



NOTE

The lock can also be used for transportation purposes.

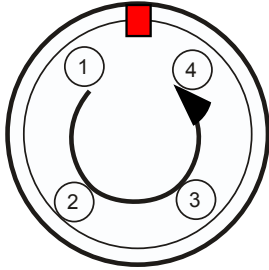


⚠ CAUTION

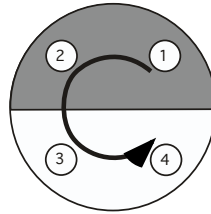
Before using the Pan Lock, you need to switch OFF the Pan Motors using the GUI!

Using the Pan Lock with an active motor will cause over heating and possible failure of the Pan motors.



10 Pin Out**Camera Power Out**

Lemo 1B 304
Pin 1 12V plus
Pin 2 Ground
Pin 3 Ground
Pin 4 12V plus

Focus Power Out

Lemo 0S 304
Pin 1 12V plus
Pin 2 NC
Pin 3 Ground
Pin 4 NC



Foltyn Industriesystemelektronik GmbH • Strengenbergstraße 24 • D-90607 Rückersdorf



Declaration of Conformity

Product Type	Camera Stabilizer Systems
Brand Name	MAXIMA
Product Name	SMX20 / SMX30 (maybe followed by suffixes)
Address	Foltyn Industriesystemelektronik GmbH Strengenbergstraße 24 D-90607 Rückersdorf

The product complies with the requirements of the following European directives:

2004/108/EG Directive of the European Parliament and of the council on the approximation of the Laws of the Member States relating to electromagnetic compatibility.

Compliance was proved by the application of the following standards:

EN 55011 : 2009 +A1 : 2010
EN 55022 : 2010 +AC : 2011
EN 61000-6-2 : 2005 +AC : 2005

2011/65/EU Directive of the European Parliament and of the council on the restriction of the use certain hazardous substances in electrical and electronic equipment.

Compliance was proved by the application of the following standards:

EN 50581 : 2012

Year of the first marking: **2015**

Rückersdorf, 2015-04-20

Roman Foltyn
CEO



Certification Test Report

FCC ID: ONTJETIR5US

IC: 10491A-JETIR5US

FCC Rule Part: 15.247

IC Radio Standards Specification: RSS-210

ACS Report Number: 13.2001.W06.1B

Manufacturer: Esprit Model

Model: JETIR5LUS

Test Begin Date: January 3, 2013

Test End Date: February 9, 2013

Report Issue Date: May 2, 2013



FOR THE SCOPE OF ACCREDITATION UNDER CERTIFICATE NUMBER AT-1533

This report must not be used by the client to claim product certification, approval, or endorsement by ACCLASS, ANSI, or any agency of the Federal Government.

Project Manager:

A handwritten signature in black ink, appearing to read 'Thierry Jean-Charles'.

Thierry Jean-Charles
EMC Engineer
Advanced Compliance Solutions, Inc.

Reviewed by:

A handwritten signature in black ink, appearing to read 'Kirby Munroe'.

Kirby Munroe
Director, Wireless Certifications
Advanced Compliance Solutions, Inc.

This test report shall not be reproduced except in full. This report may be reproduced in part with prior written consent of ACS, Inc. The results contained in this report are representative of the sample(s) submitted for evaluation.

This report contains 43 pages