



# L7-C PLUS

## LED spotlights with true Fresnel performance

ARRI's L-Series Plus LED spotlights feature true Fresnel characteristics: continuous focusability from spot to flood; a uniform, homogeneous light field; and up to 90% more light output compared to their predecessors in an upgraded version. The L-Series Plus benefits from the latest, highly efficient LED technology and allows complete color and intensity control of the light.

The larger variant of the L-Series Plus, the L7-C Plus, is ideal for applications where more punch is required or greater throwing distances need to be achieved. While offering superior performance, it still has a compact form factor. Perfect for theater applications, live entertainment and broadcast studios.

Designed to be robust and ergonomic, L-Series Plus fixtures live up to the quality and reliability standards for which ARRI is known. Their build quality and flexibility make them suitable for a wide range of use cases, from continuous studio lighting and location work on movies and television to live entertainment, photography, theater, and corporate productions.

### Main Features

- Up to 90% brighter, yet similar size and weight to the original L-Series
- Direct network connectivity for LAN input and light control via ArtNet and Streaming ACN
- Continuous focusability from spot to flood
- Smooth, homogeneous light field
- Complete control over color and intensity
- Ultra-quiet operation due to combined passive and discreet fan cooling
- Intuitive SkyPanel Classic onboard control and user interface
- Two variants: L5-C Plus and L7-C Plus in blue-silver and black with different yoke options
- Compatible with standard barndoors and L-Series accessories

### Models

Version	Mounting	Color
L7-C Plus	Manual	■ blue/silver
L7-C Plus	Manual	■ black
L7-C Plus	Pole Operated	■ blue/silver
L7-C Plus	Pole Operated	■ black
All versions include	on-board control panel 28 mm (1 1/8") Junior pin	

### Available Accessories

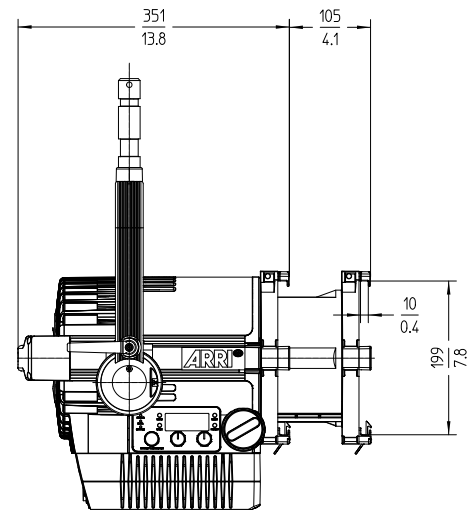
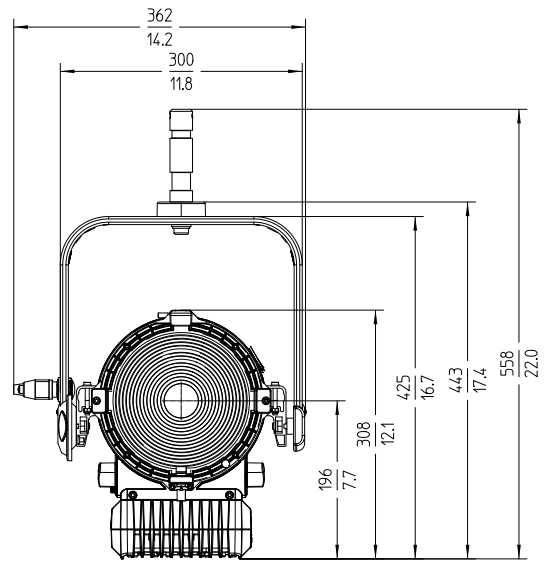
- 8-leaf Barndoor
- 4-leaf Barndoor
- Filter frame
- Snoot
- Chimera Lightbank
- Softbox adapter
- Cables
- Safety cable

### Apps

- ARRI Stellar
- ARRI Photometrics

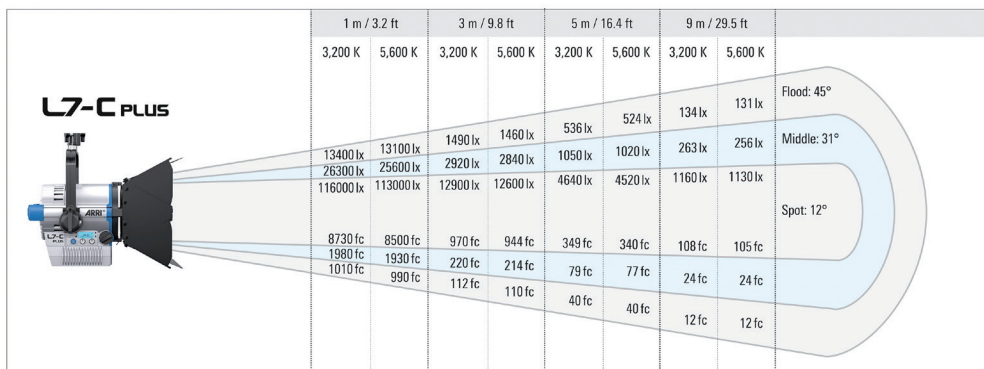
**Specifications L7-C Plus**

Type of Lamphead	LED Fresnel
Optical System	focusable Fresnel
Light Aperture	175 mm / 7"
Beam Angle	12° to 45° half peak angle
Lamp Type	180 W RGBW LED light engine
White Light	2,800 K to 10,000 K continuously variable correlated color temperature
Colored Light	full RGB+W color gamut with hue and saturation control
Green-Magenta Adjustment	continuously adjustable (full minusgreen to full plusgreen)
Color Rendition	CRI average > 94 TLCI average > 89
Color Temperature Tolerance	+/- 100 K (nominal), +/- 1/8 green-magenta (nominal)
Dimming	0 to 100 % continuous
<b>Mechanical</b>	
Versions	manual, pole operated
Handling	adjustable sliding stirrup high-strength tilt lock pole operation option (pan, tilt, focus)
Mounting	spigot 28 mm Junior pin
Housing Color	blue/silver, black
Tilt Angle	+/- 90°
Weight - Manual	8.7 kg / 19.2 lbs
Weight - Pole operated	10.2 kg / 22.5 lbs
<b>Control Options</b>	
Control	on-board controller, EtherCon in & through, 5-Pin DMX in & through via adapter cable, USB-A
LAN / EtherCon	control and configuration via Art-Net, sACN, web page control of light and settings via HTTP
DMX / RDM via adapter cable	DMX setup, hour counter, standard & manufacturer RDM commands
Software Interface - USB Type A	fixture service and settings configuration, fixture status, firmware upgrade through PC or Mac using ALSM
Wireless Interface	via third party receiver
<b>Electrical</b>	
Power Supply Range	100 - 240 V~, 50 - 60 Hz
Power Consumption	220 W maximum
Lamphead Power Connection	In and Through, powerCON® TRUE1 compatible
Power Switch	on/off switch on cable
Daisy-chain	Yes, power and data (powerCON® TRUE1 and EtherCON® compatible)
Protection Class / IP Rating	I / IP20
Ambient Temperature Operation	-20 to +45° C (-4 to +113° F)
Estimated LED Lifetime (L70)	50,000 hours
Estimated Color Shift Over Lifetime (CCT)	+/- 5 %
Certifications & Declaration of Conformity	CE, UKCA, CB, ENEC, cNRTLus, FCC, PSE



Preliminary data.  
All specifications are nominal / typical values.  
Subject to change without notice.

**Photometric Data**



Download ARRI Photometrics from the App Store and Google Play to quickly reference the photometric characteristics of all of the ARRI light fixtures.