

Vibration Isolator for SRH

USER MANUAL

Date 01.12.2020



Imprint

Copyright © 2020

All rights reserved.

For further assistance:

FoMaSystems GmbH
Managing Director: Dr.-Ing. Roman Foltyn and Rainer Maertin
Oskar-Sembach-Ring 11
D-91207 Lauf

Tel. +49 (0) 9123 1573980

Fax +49 (0) 911 5709875

info@foma-systems.com

www.foma-systems.com

VAT-ID: DE296542680

Register court: Amtsgericht Nürnberg, HRB 30926

Responsible for content: Dr.-Ing. Roman Foltyn and Rainer Maertin

Document revision history

Version	Date
1.0	01.12.2020

Scope

This document describes the components, the setup of the **Vibration Isolator for SRH, Gen. 2** by FoMa Systems.

Disclaimer

Before using the products described in this manual, be sure to read and understand all the respective instructions.

Table of contents

1 For your safety.....	4
2 Introduction	5
3 Functions	6
4 General Preparations / Tools	7
5 Mounting the Direct Mount	7
6 Mounting the Mitchell Mount Adapter	9
7 Mounting the standard SRH Mitchell Mount	10
8 Adjustment	11
9 Technical Data	12

1 For your safety

Warning

The Vibration Isolator for SRH, Gen. 2 in combination with the stabilized remote head SRH-3 and SRH-360 and related products should only be used by experienced and trained operators.

This product is **NOT** designed for inexperienced users and should not and must not be used without proper training.

FoMa recommends that all users read the manual in its entirety prior to use.

All directions are given from a camera operator's point of view. For example, camera-right side refers to the right side of the camera when standing behind the camera and operating it in a normal fashion.

1.1

Risk Levels and Alert Symbols

Safety warnings, safety alert symbols, and signal words in these instructions indicate different risk levels:

DANGER

DANGER indicates an imminent hazardous situation which, if not avoided, **will result in** death or serious injury.

Warning

WARNING indicates a potentially hazardous situation which, if not avoided, **may result in** death or serious injury.

CAUTION

CAUTION indicates a potentially hazardous situation which, if not avoided, **may result in** minor or moderate injury.

NOTICE

NOTE explains practices not related to physical injury. No safety alert symbol appears with this signal word.

NOTE

Provides additional information to clarify or simplify a procedure.

2 Introduction



Vibration Isolator for the SRH

enhanced smoothness

The vibration isolator for the SRH remote head series combines excellent isolation from dynamic impulses, shocks and vibrations in an extremely compact and rigid design.

Four polymer damping elements absorb unwanted vertical and angular movements in the roll and tilt axis but keep the pivot axis defined and stable.

Therefore, the torque power for the pan axis can be maxed out when needed.

The polymer elements are located between two of the three layers of the isolator and can easily be adapted to current requirements with four knurled adjustments nuts.

The vibration isolator for the SRH series allows two types of mounting on the SRH remote heads.

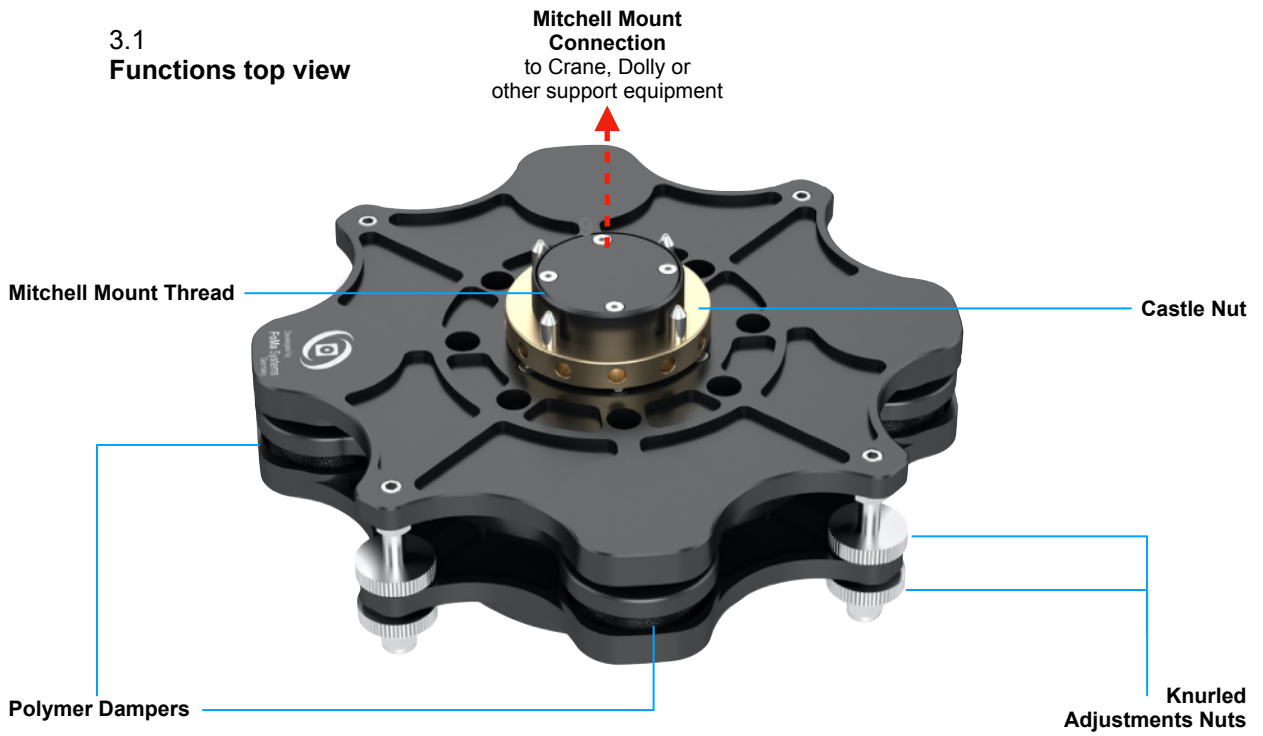
With the so-called direct mounting, the vibration isolator can be mounted directly on the base plate of the SRH remote control head, whereby the vibration isolator or the attachment to the crane remains as close as possible to the remote head.

In this way, the leverage and the associated load change of the remote head can be kept as low as possible. Especially when the remote head is mounted on vehicles.

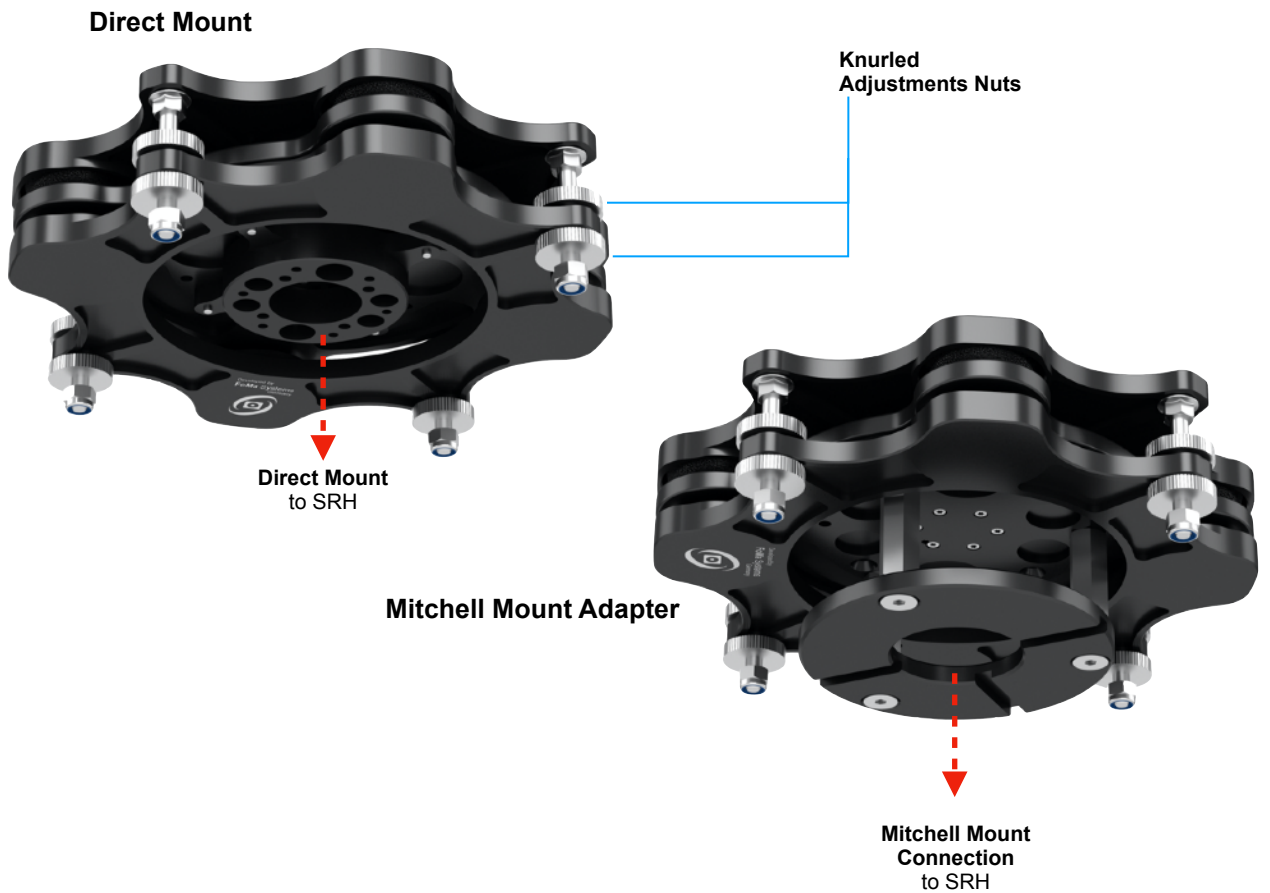
The second way is to use the included classic Mitchell Mount adapter. The adapter allows fast changes from a crane to a dolly or to an ISO dampener.

3 Functions

3.1 Functions top view



3.2 Functions bottom view



⚠ CAUTION

The following steps may only be performed by a trained and experienced person of the grip department.

All generally applicable safety rules and procedures must be observed.

Incorrect assemblies can lead to severe injuries and damages.

4 General Preparations

4.1

Needed tools

- 4 mm Hex key
- 6 mm Hex key
- 19 mm open-ended wrench

4.2

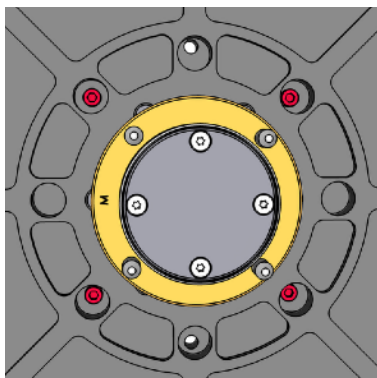
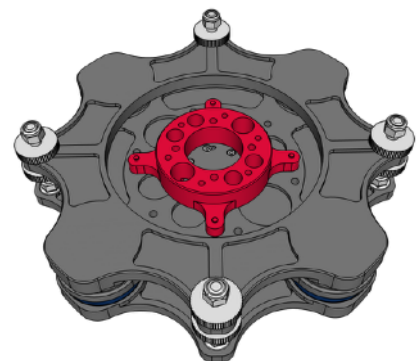
Preparing the remote head

First, remove the camera, camera plate, and all accessories. Look for level floor and place the remote head on a soft surface, e.g. B. a blanket or something like it.

5 Mounting the Direct Mount

5.1

The **Direct Mount Adapter** (red) needs to be removed from the isolator first.



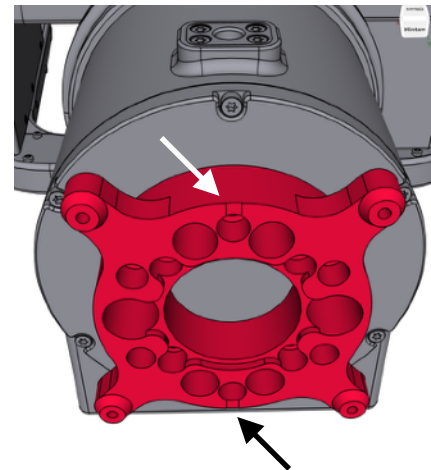
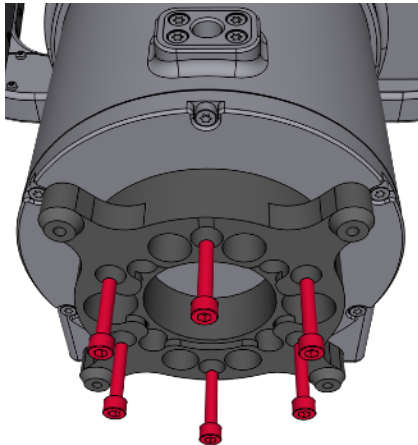
5.2

Flip over the isolator and remove the four screws (red).

Use a 4mm Hex key.

5.3
Place the **direct mount adapter** on the base of the pan axis as shown.

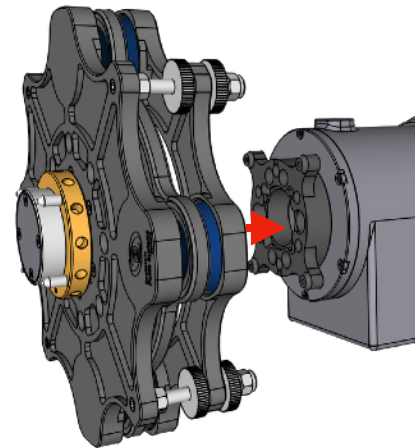
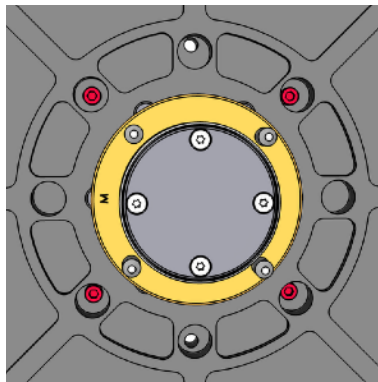
NOTE
Align the top and bottom notches in the adapter with the pan axis as shown.



5.4
Insert the six M5x20mm hex screws provided and tighten all six screws.

Use a 4mm Hex key.

5.5
Place the isolator onto the **direct mount adapter**.

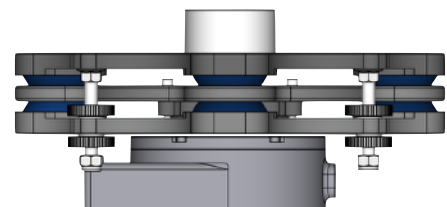


5.6
Insert and tighten the four screws you removed in step 5.2 to attach the isolator finally to the SRH pan module.

Use a 4mm Hex key



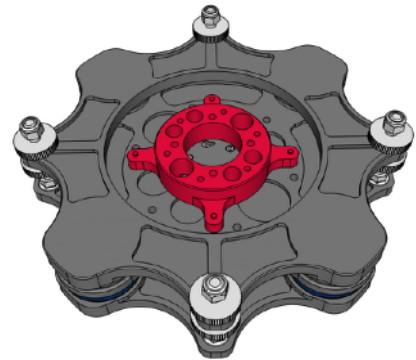
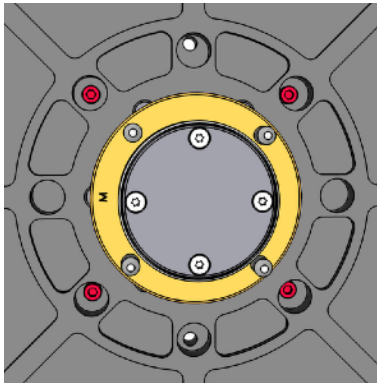
5.7
Remove the Castle Nut to attach the complete setup to the Mitchell Mount connection of the crane.



6 Mounting the Mitchell Mount Adapter

6.1

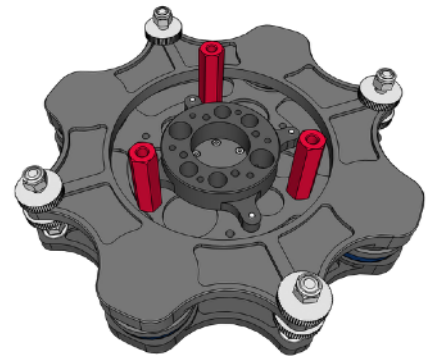
The **Direct Mount Adapter** (red) needs to be removed from the isolator first.



6.2

Flip over the isolator and remove the four screws (red).

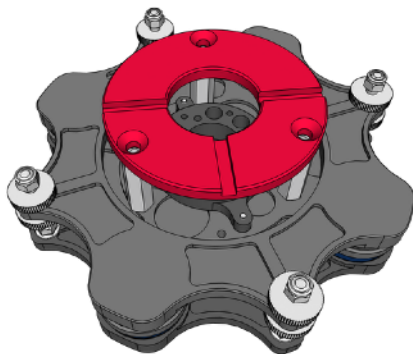
Use a 4mm Hex key.



6.3

Place and tighten the three studs first.

Use a 19 mm open-ended wrench.



6.4

Place the Mitchell Mount Adapter disc onto the studs.

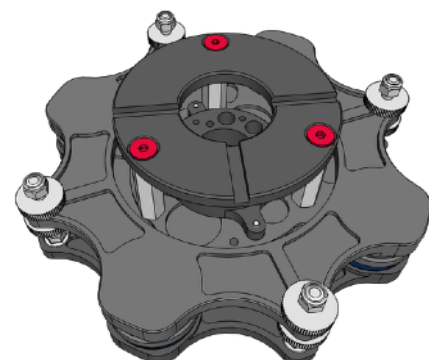
NOTE

Check the final alignment off the remote head, the Vibration Isolator and the Mitchell Mount connection at the crane.

6.5

Insert the three **M10 x 25** countersunk screws and tighten them.

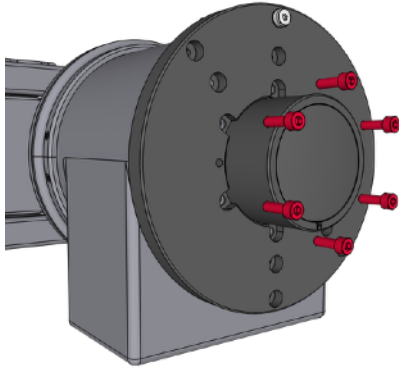
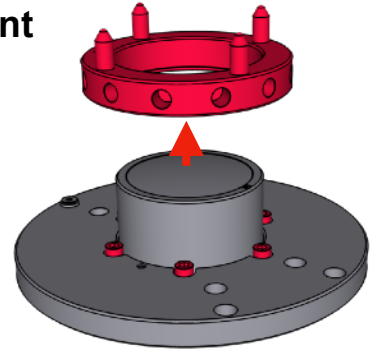
Use a 6mm Hex key.



7 Mounting the standard SRH Mitchell Mount

7.1

Remove the Castle Nut first to reach the six Hex screws.



7.2

Place the SRH Mitchell Mount on the base pan axis.

NOTE

Check the alinement of the location pin, before tighten all six Hex screws.

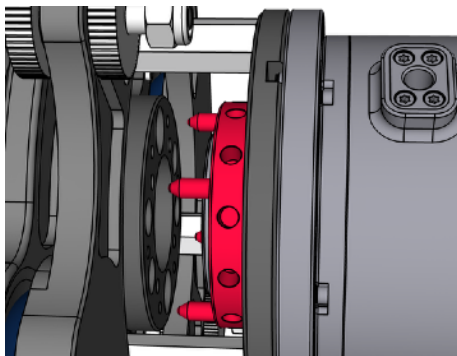
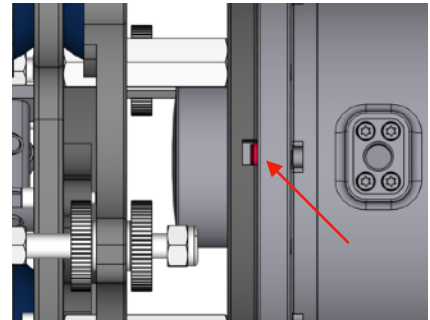
Use a 6mm Hex key.

7.3

Place the Vibration Isolator on the SRH Mitchell Mount.

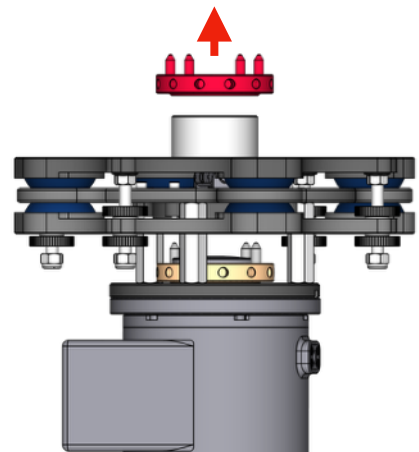
NOTE

Check the alinement of the location pin.



7.4

Place and tighten the Castle Nut.



7.5

Remove the Castle Nut of the Vibration Isolator and mount the complete setup to the crane.

NOTE

Check the alinement of the location pin before tightening the Castle Nut.

8 Adjustment

8.1

Introduction

The strength of the polymer dampers preload depends on the total weight of the remote head including the camera setup.

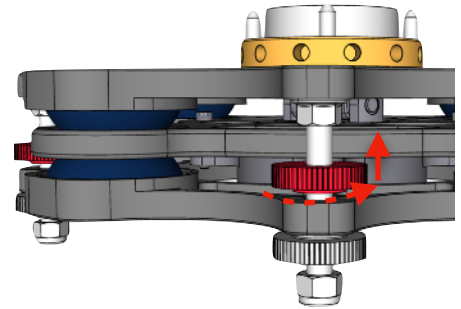
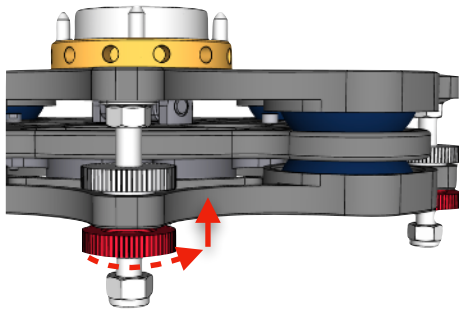
NOTE

It is recommended to keep the preload in the upper third of the available setting range, depending on the total weight.
The heavier the setup, the more preload.

8.2

Increase polymer damper preload

First you need to open the top four knurled adjustment nuts to create the required clearance.

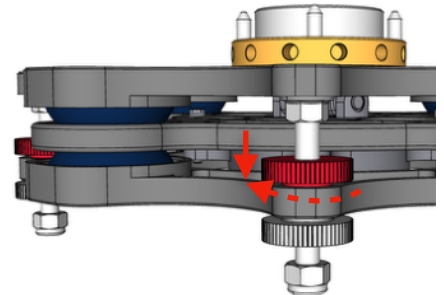


8.3

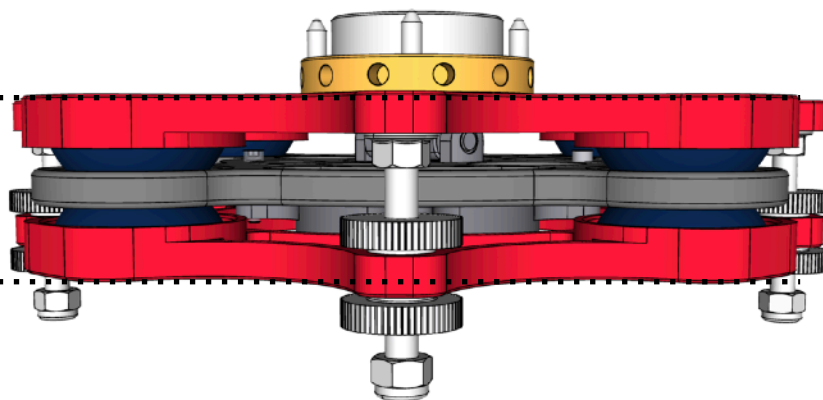
Now turn the lower four knurled adjusting nuts to slowly lift the lower segment and press it against the polymer dampers.

8.4

Finally tighten / counteract the upper knurled adjusting nuts.



Keep the
top and bottom
segments parallel!



⚠ CAUTION

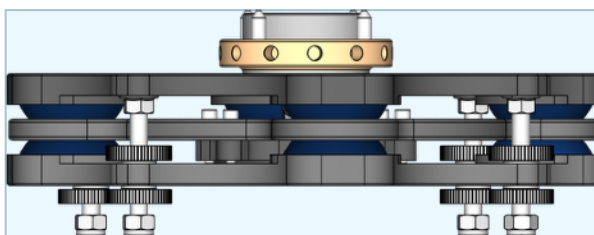
It is important that the top and bottom segments are parallel to each other after the height is adjusted and that all eight knurled adjusting nuts are securely tightened.

9 Technical Data

9.1 Direct Mount

Max. width: 330 mm / 13 in

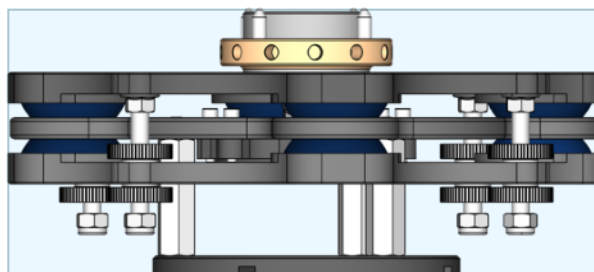
Max. height: 123,5 mm / 4,86 in



9.2 Mitchell Mount

Max. width: 330 mm / 13 in

Max. height: 123,5 mm / 5,8 in



9.3 Allover

Max. diameter: 336 / 13,22 in

Weight: 5.5 Kg / 12,12 lb

