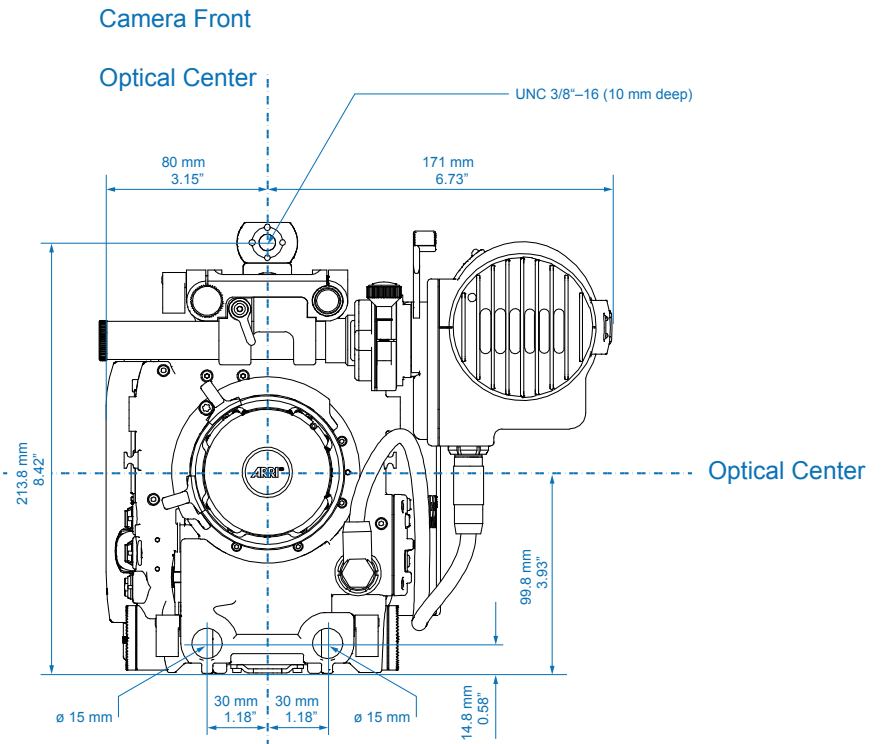
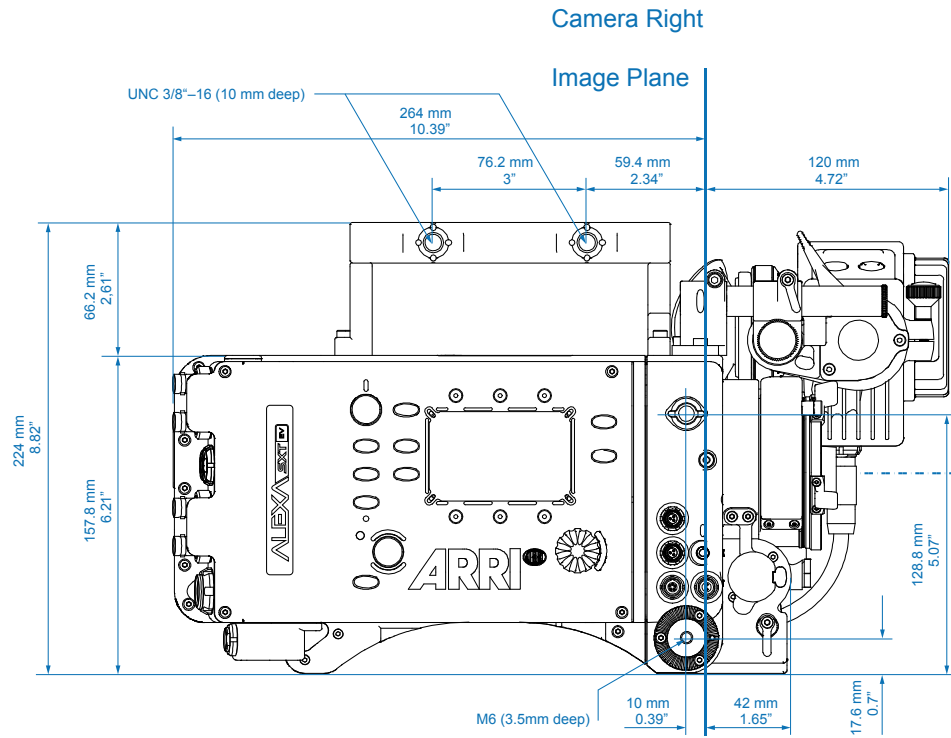


ALEXA SXT EV



CAMERA DIMENSIONS – Version 2015-11

Technical Data are subject to change without notice.



ALEXA SXT EV

	Length	Width	Height	Weight
Body	321 mm - 12.64"	166 mm - 6.54"	157.8 mm - 6.21"	6.5 kg - 14.3 lb
Body, Camera Center Handle (CCH-1), Electronic Viewfinder EVF-1, EVF-1 cable KC-150-S, Viewfinder Mounting Bracket (VMB-3)	384 mm - 15.12"	251 mm - 9.88"	224 mm - 8.82"	8.0 kg - 17.6 lb

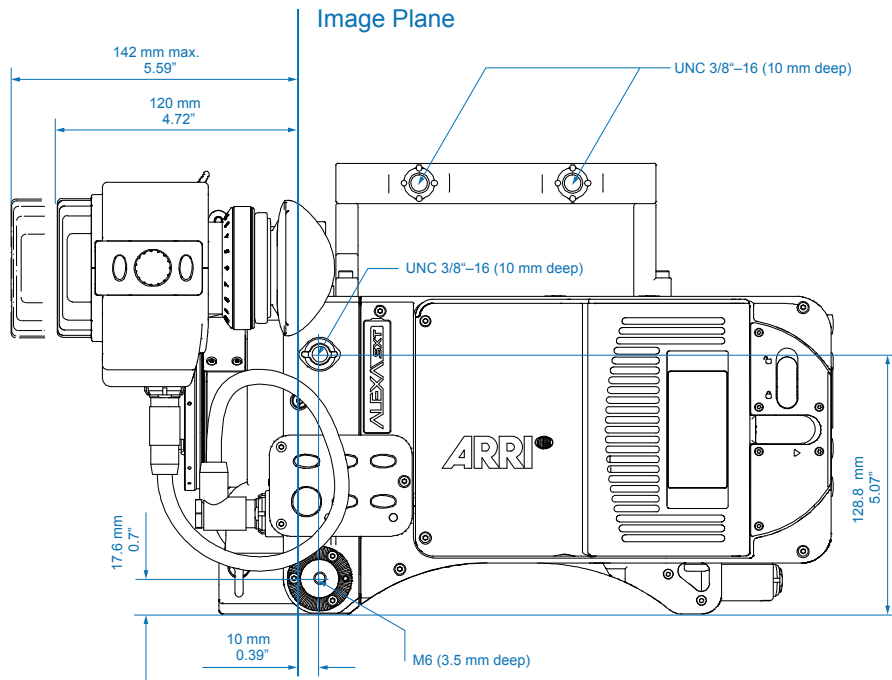
ALEXA SXT EV



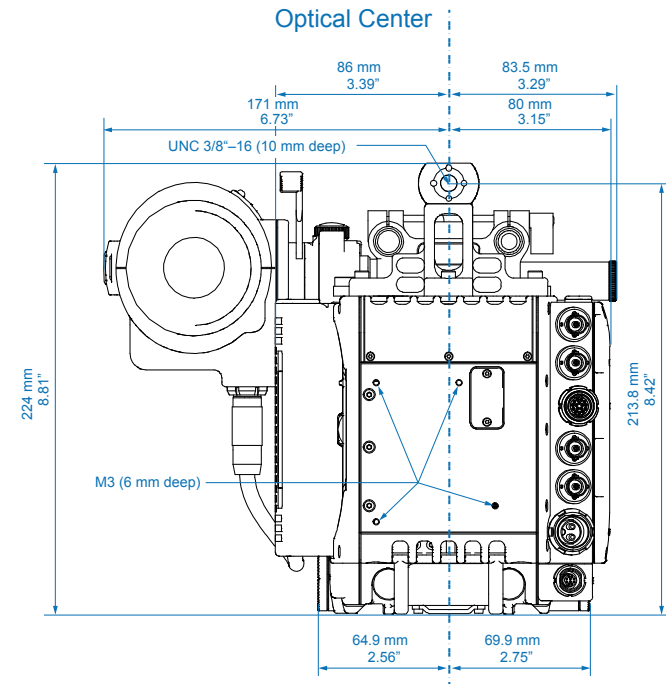
CAMERA DIMENSIONS – Version 2015-11

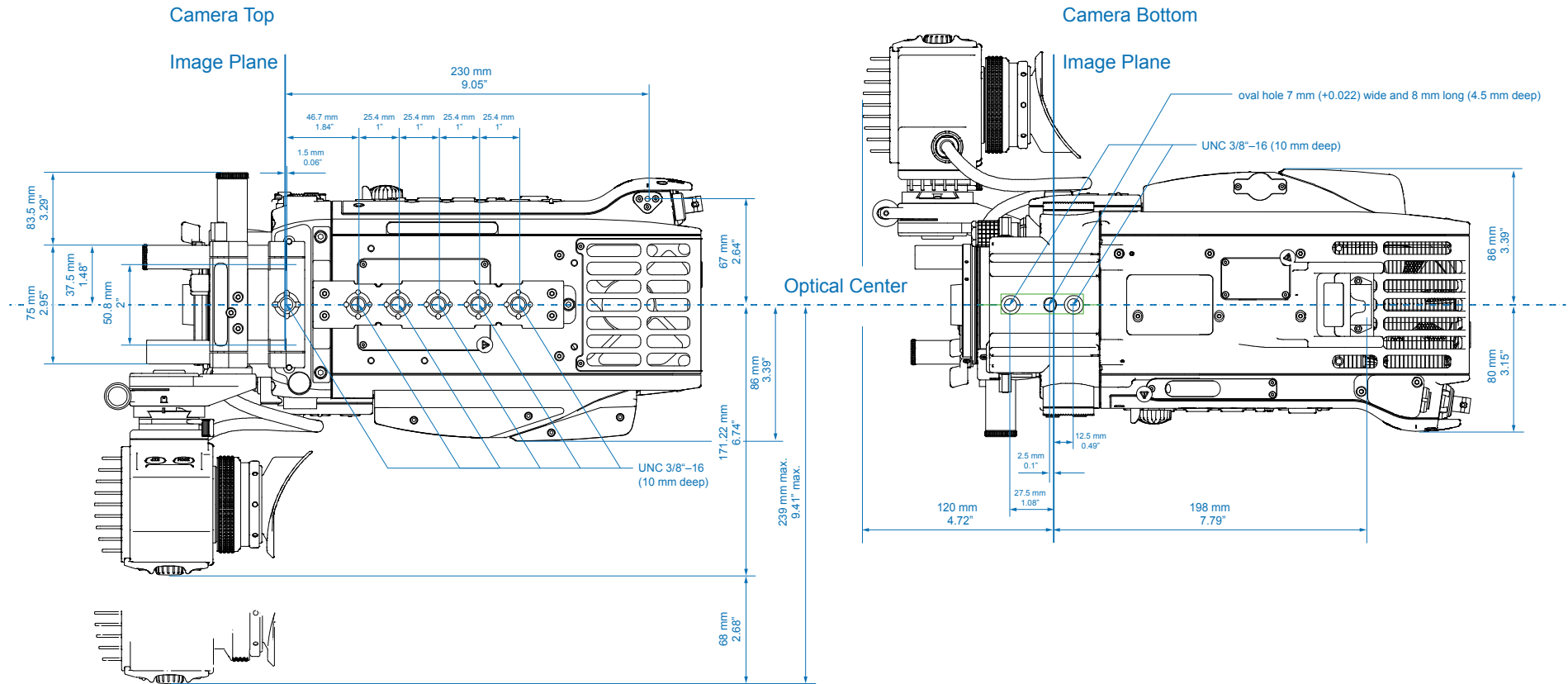
Technical Data are subject to change without notice.

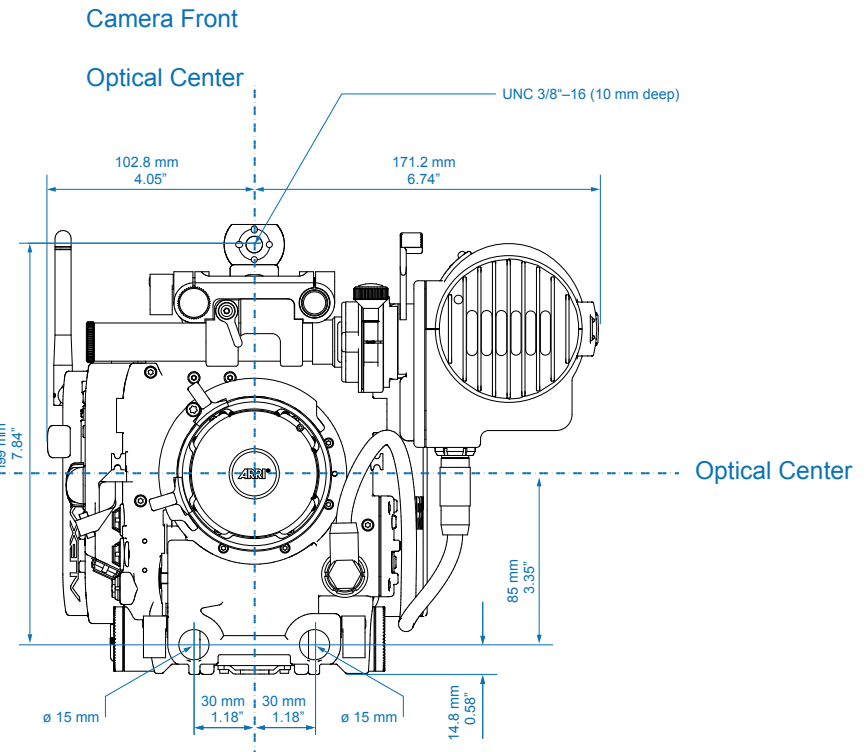
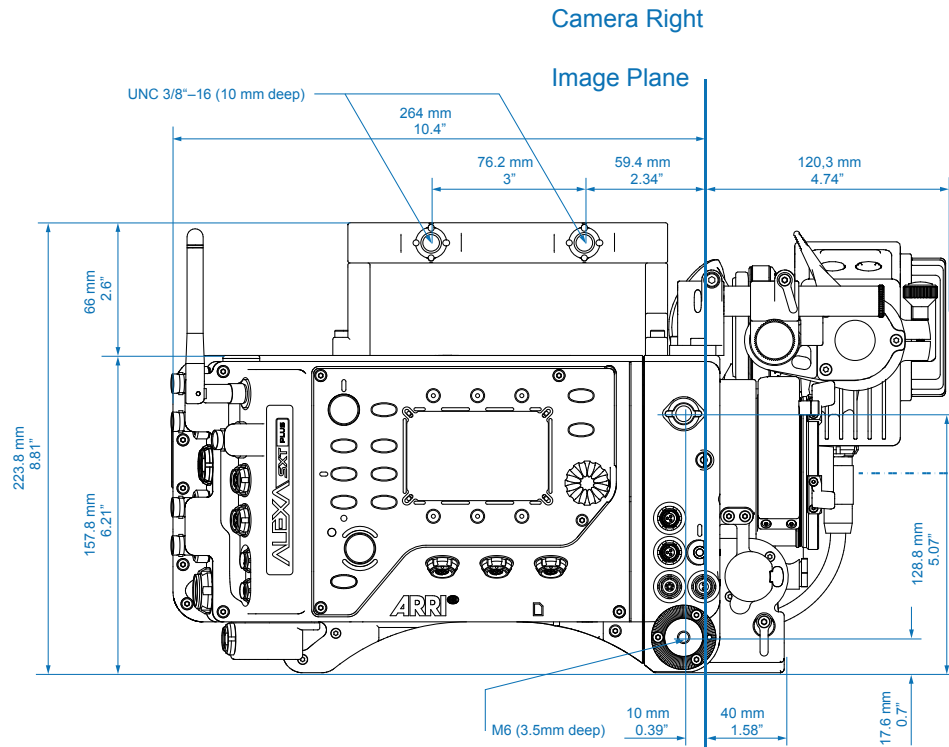
Camera Left



Camera Back



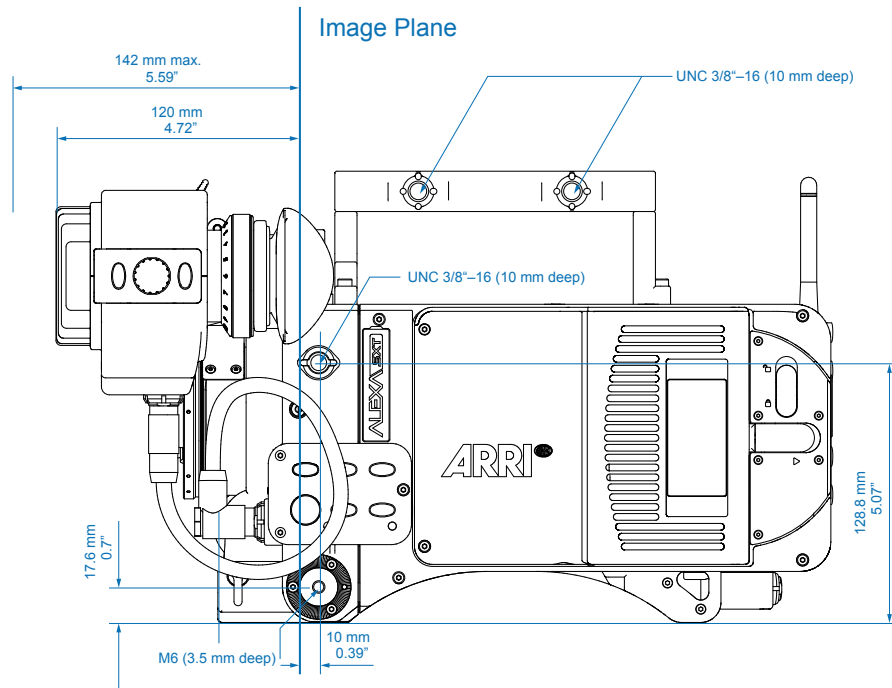




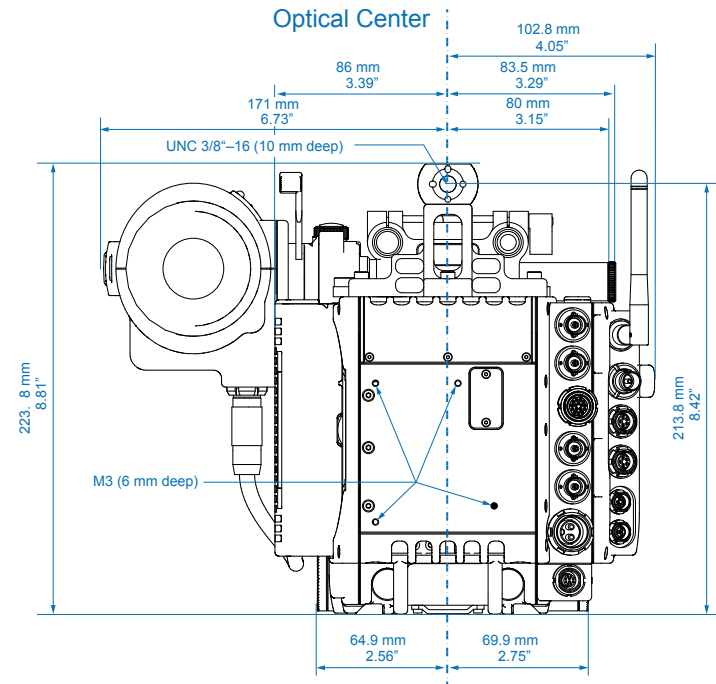
ALEXA SXT Plus

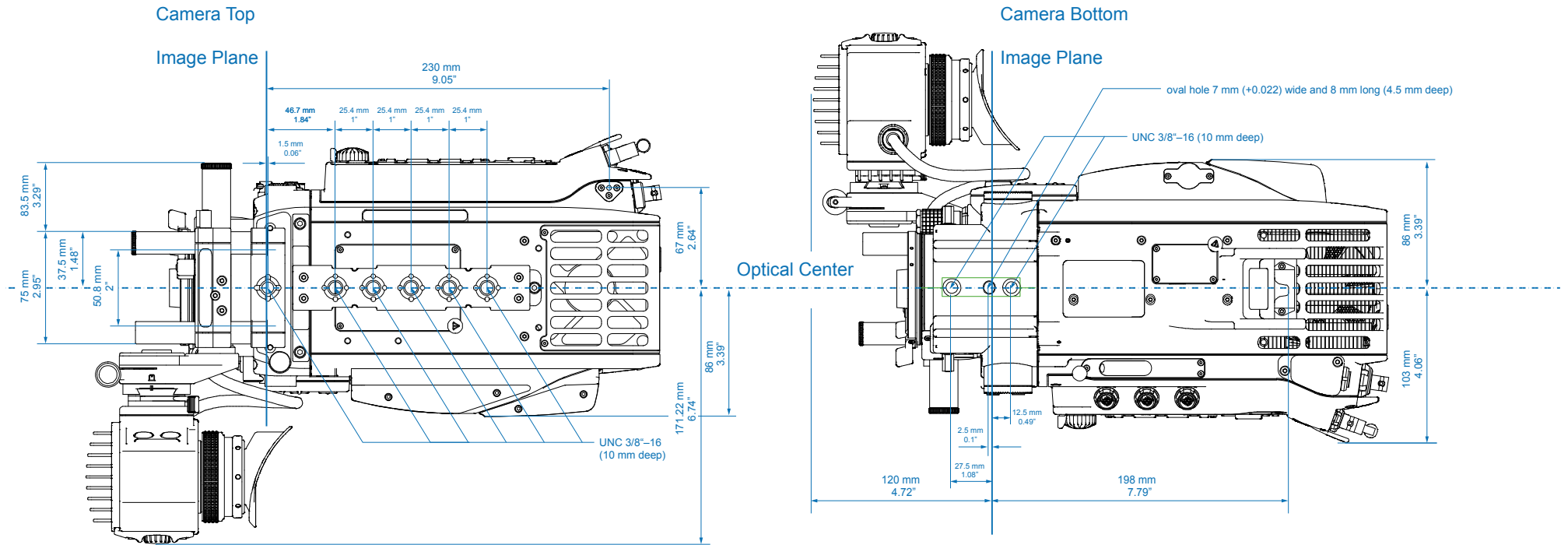
	Length	Width	Height	Weight
Body	321 mm - 12.64"	189 mm - 7.44"	157.8 mm - 6.21"	6.9 kg - 14.3 lb
Body, Camera Center Handle (CCH-1), Electronic Viewfinder EVF-1, EVF-1 cable KC-150-S, Viewfinder Mounting Bracket (VMB-3)	384 mm - 15.12"	251 mm - 9.88"	224 mm - 8.82"	8.4 kg - 18.6 lb

Camera Left



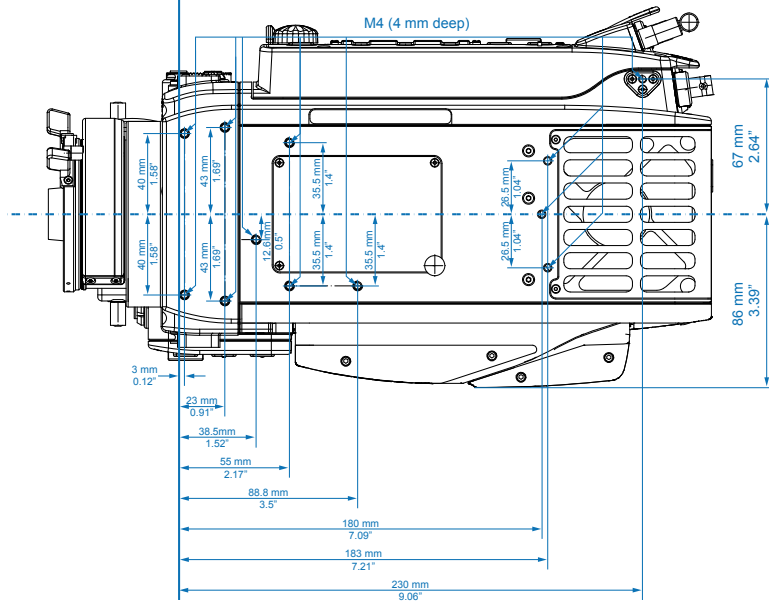
Camera Back





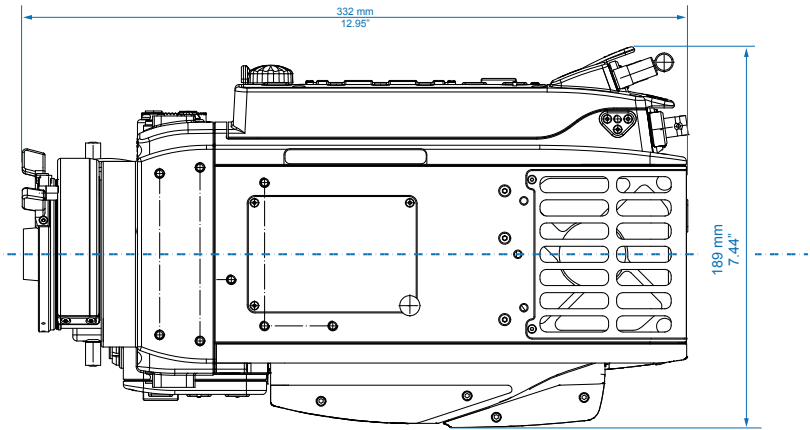
Camera Top

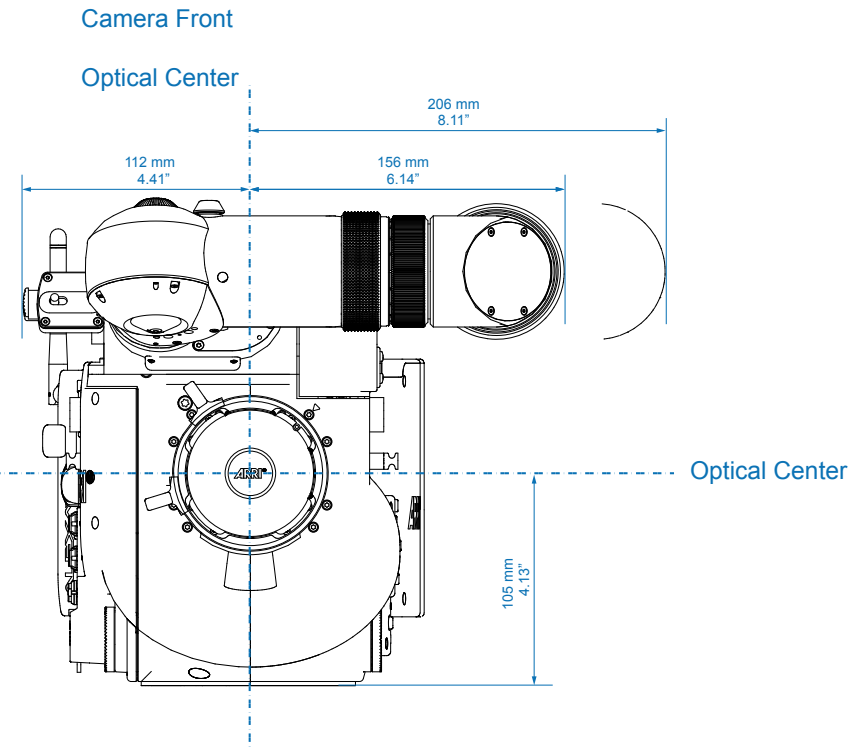
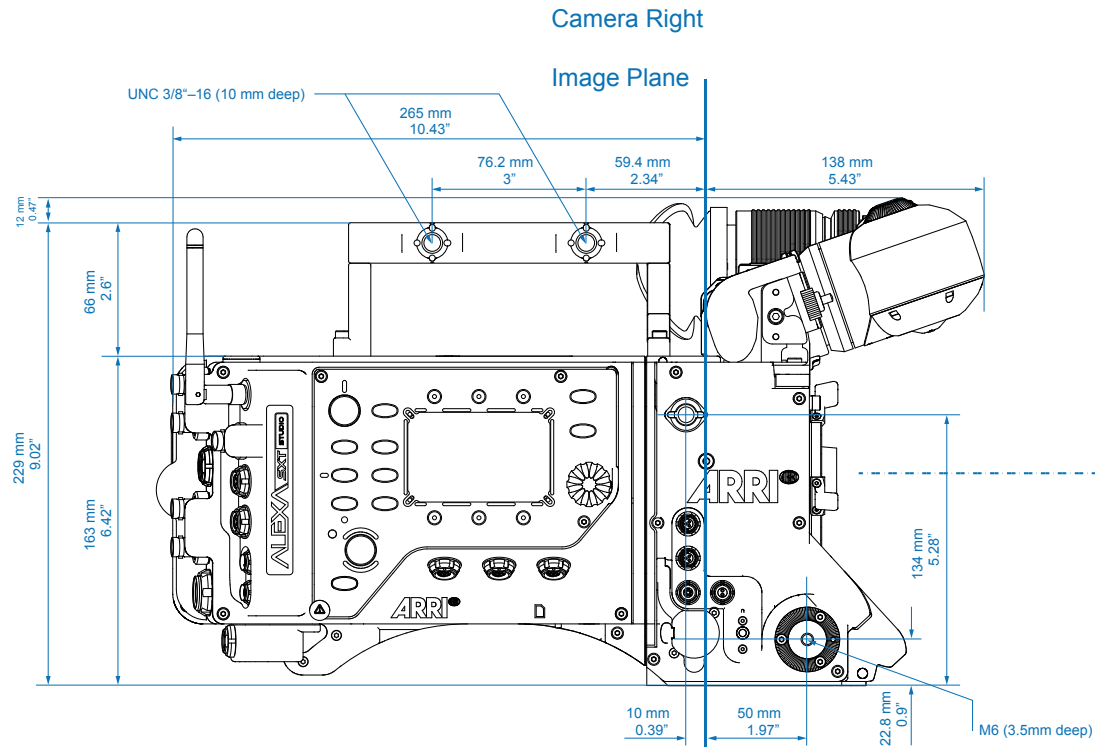
Image Plane



Camera Top

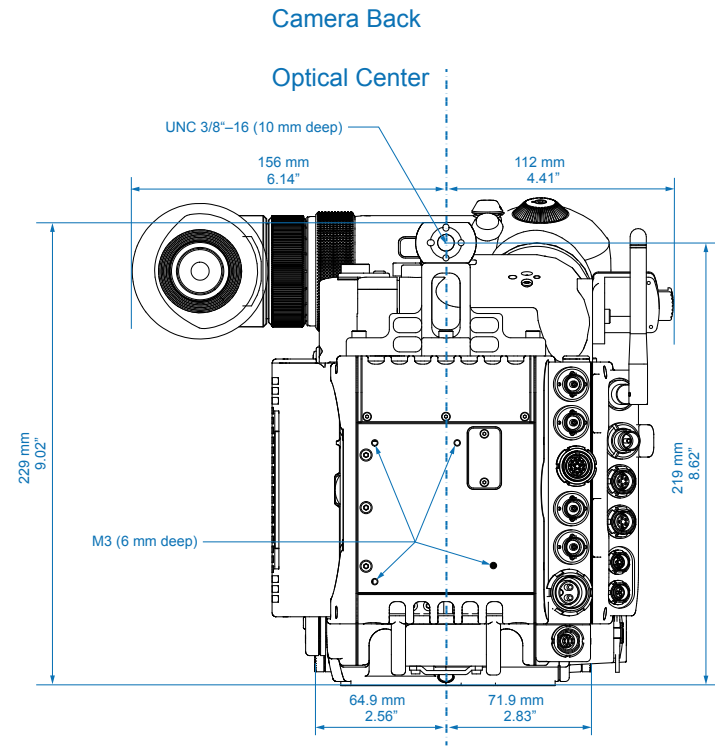
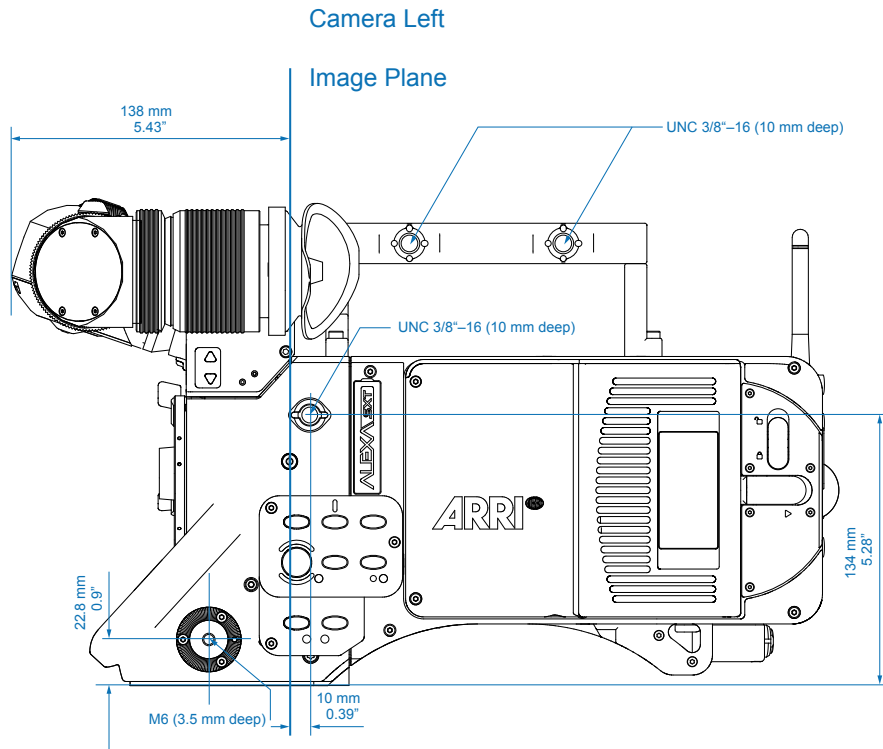
Optical Center



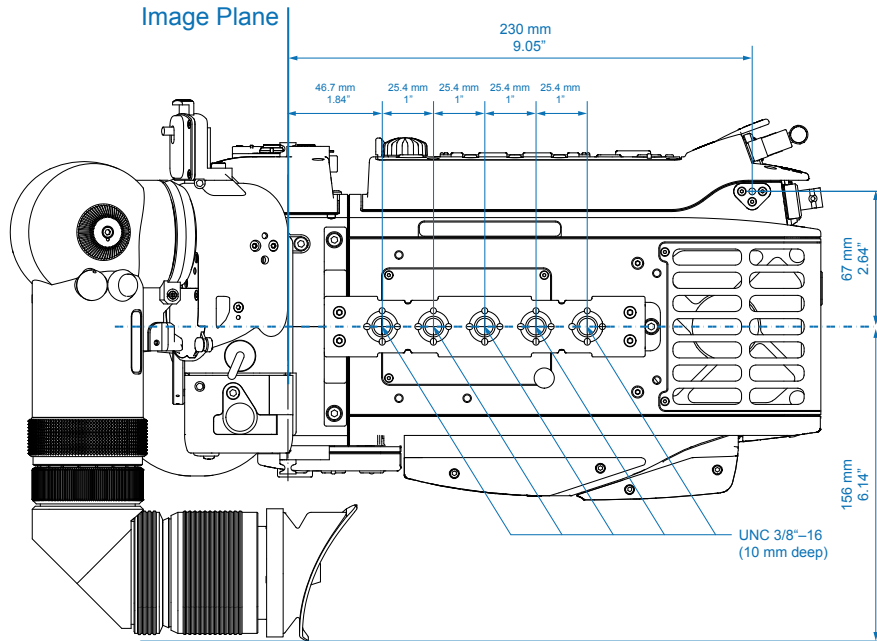


ALEXA SXT Studio

	Length	Width	Height	Weight
Body	364 mm - 14.33"	189 mm - 7.44"	163 mm - 6.42"	8.2 kg - 18.1 lb
Body, Camera Center Handle (CCH-1), Optical Viewfinder OVF-1	402 mm - 15.9"	268 mm - 10.55"	241 mm - 9.49"	10.3 kg - 22.8 lb
Body, Camera Center Handle (CCH-1), Electronic Viewfinder EVF-1, EVF-1 cable KC-150-S, Viewfinder Mounting Bracket (VMB-3)	402 mm - 15.9"	268 mm - 10.55"	241 mm - 9.49"	9.8 kg - 21.7 lb



Camera Top



Camera Bottom

