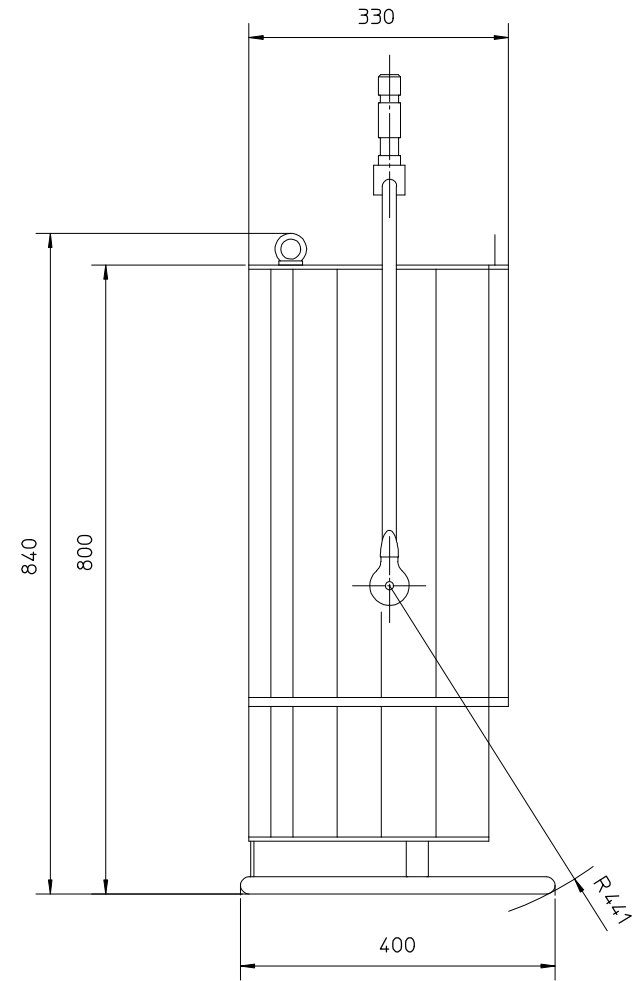
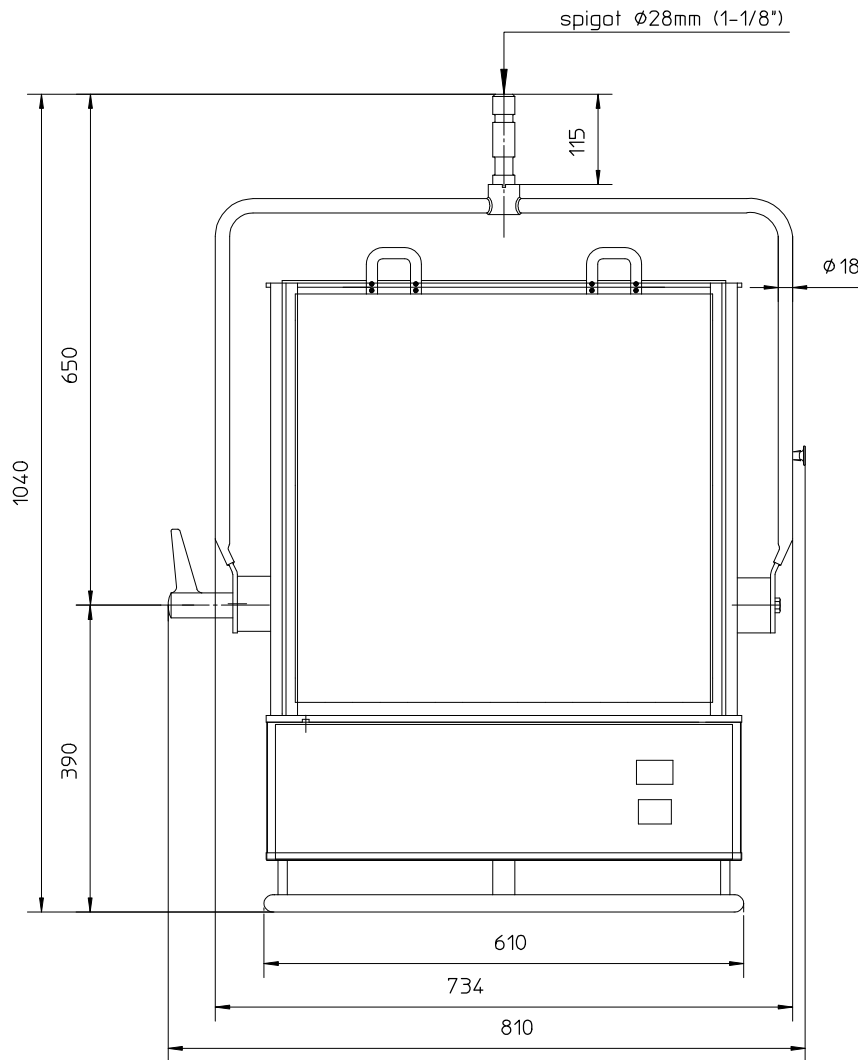



Schutzvermerk nach DIN34 beachten



Scheinwerfertyp type of lamphead	ARRI X60	Frontscheibe front screen	520x533mm 20.5x20 "	Packmass packed size	700x720x770 mm 27.56x28.35x30.31 "	Gewicht net weight	32.2 kg 71.0 lbs	 Arnold & Richter Cine Technik Pulvermuehle D-83071 Stephanskirchen
Leuchtmittel lamp	HMI 6000W/SE	Zubehoer accessories	545 mm 21.5 "	Packvolumen packed volume	388.08 l 13.705 ft3	Dateiname file name	x60_mb_02	
Lampensockel lamp base	G38	Fluegeltor barndoor	545 mm 21.5 "	Packgewicht packed weight	49 kg 108.02 lbs	Version / Stand version / as at...	1.1/10.07.06	